



Illustrated Parts Manual

Models
600S
600SJ
660SJ

PRIOR TO
SN 0300068000

P/N
3120720

February 28, 2014

ANSI



An Oshkosh Corporation Company

REVISION LOG

NOTES:

ADE SYSTEM

Most 600S, 600SJ and 660SJ machines from SN 0300061927 incorporate the ADE System, but no clean SN break exist. The following machine serial numbers prior to SN 0300061927 also utilize the ADE System: 0300058993, 0300058998, 0300059222, 0300059223, 0300059275, 0300059281, 0300059315, 0300059319, 0300059352, 0300059358, 0300059631, 0300059769, 0300060253, 0300060254, 0300060286, 0300060642, 0300060645, 0300061120, 0300061257, 0300061402, 0300061440, 0300061491, 0300061833, 0300061840, 0300061875 and 0300061878. A machine that incorporates ADE System can be outwardly identified by the analyzer connection at the base of the platform console box.



MANUAL REVISION LOG:

February 1996 - Original Issue Of Manual

January 1998 - Revised (Manual edited to 0010512 Revision 43)

December, 1998 - Revised (Manual edited to 0010512 Revision 53)

June 25, 1999 - Revised (Manual edited to 0010512 Revision 59)

July 14, 1999 - Updated Pages (4-3 & 4-4)

October 18, 1999 - Updated Pages (2-13, 8-2 & 8-6)

February 18, 2000 - Revised (Manual edited to 0010512 Revision 66)

April 25, 2001 - Revised (Manual edited to 0010512 Revision 76)

(Manual edited to 0010574 Revision 3 ADE System)

February 20, 2002 - Revised (Manual edited to 0010574 Revision 9)

May 24, 2002 - Revised (Manual edited to 0010574 Revision 18)

November 30, 2002 - Added "Prior to SN 0300068000" to Front Cover. Refer to Parts Manual 3121178 for Machines Built SN 0300068000 to Present.

January 17, 2003 - Revised Manual

REVISION LOG

May 1, 2003 - Revised Manual
December 9, 2003 - Revised Manual
January 20, 2005 - Revised Manual
May 27, 2005 - Revised Manual
November 10, 2005 - Revised Manual
May 18, 2006 - Revised Manual
August 9, 2006 - Revised Manual
January 12, 2007 - Revised Manual
May 15, 2007 - Revised Manual
September 18, 2007 - Revised Manual
June 15, 2008 - Revised Manual
December 1, 2008 - Revised Manual
April 15, 2009 - Revised Manual
October 15, 2009 - Revised Manual
May 24, 2010 - Revised Manual
March 15, 2011 - Revised Manual
June 10, 2011 - Revised Manual
September 14, 2011 - Revised Manual
January 6, 2012 - Revised Manual
April 20, 2012 - Revised Manual
July 27, 2012 - Revised Manual
November 8, 2012 - Revised Manual
March 15, 2013 - Revised Manual
June 14, 2013 - Revised Manual
September 30, 2013 - Revised Manual
February 28, 2014 - Revised Manual

TABLE OF CONTENTS

FIGURE NO.	TITLE	PAGE NO.
SECTION 1 - FRAME		1-1
1-1	2WD FRONT AXLE AND STEERING INSTALLATIONS	1-2
1-2	4WD FRONT AXLE AND STEERING INSTALLATIONS	1-6
1-3	4WS REAR STEERING INSTALLATIONS	1-10
1-4	TIRE AND WHEEL DRIVE INSTALLATIONS	1-14
1-5	DRIVE HUB ASSEMBLY (PRIOR TO SN 0300064395)	1-18
1-6	DRIVE HUB ASSEMBLY (SN 0300064395 TO SN 0300068000)	1-22
1-7	DRIVE BRAKE ASSEMBLY	1-24
1-8	DRIVE MOTOR ASSEMBLY - REXROTH	1-28
1-9	DRIVE VALVES & SHIELDS INSTALLATION (FRAME MOUNTED)	1-30
1-10	TOW PACKAGE INSTALLATION (OPTIONAL)	1-32
SECTION 2 - TURNTABLE		2-1
2-1	CONTROL VALVES INSTALLATIONS	2-2
2-2	MAIN CONTROL VALVE ASSEMBLY	2-6
2-3	ACCESSORY VALVE ASSEMBLY	2-10
2-4	SWING DRIVE, TURNTABLE BEARING & LOCK INSTALLATIONS	2-12
2-5	SWING HUB ASSEMBLY	2-16
2-6	SWING BRAKE ASSEMBLY	2-18
2-7	SWING MOTOR ASSEMBLIES	2-22
2-8	CONTINENTAL ENGINE INSTALLATION	2-26
2-9	GENERATOR INSTALLATION - CONTINENTAL ENGINE (OPTIONAL)	2-32
2-10	DEUTZ ENGINE INSTALLATION (PRIOR TO SN 0300030041)	2-36
2-11	DEUTZ ENGINE INSTALLATION - WITH NOISE REDUCTION (SN 0300030041 TO SN 0300068000)	2-42
2-12	GENERATOR INSTALLATION - DEUTZ MACHINES (OPTIONAL)	2-52
2-13	FORD ENGINE INSTALLATIONS - LRG423 (PRIOR TO SN 0300037117)	2-56
2-14	FORD ENGINE INSTALLATIONS - LRG425 WITH CARBURETOR (SN 0300037117 TO SN 0300068000)	2-64
2-15	FORD ENGINE INSTALLATIONS - LRG425 WITH EFI (SN 0300048907 TO SN 0300068000)	2-72
2-16	DUAL FUEL INSTALLATIONS (FORD MACHINE WITH CARBURETOR) (OPTIONAL)	2-80
2-17	DUAL FUEL INSTALLATIONS (FORD MACHINE OPTION) (SN 0300048907 TO SN 0300068000)	2-82
2-18	GENERATOR INSTALLATION - FORD MACHINES (OPTIONAL)	2-84
2-19	ISUZU ENGINE INSTALLATION - 4JB1 (SN 0300057373 TO SN 0300068000)	2-88
2-20	PISTON PUMP ASSEMBLY	2-92
2-21	GEAR PUMP ASSEMBLY	2-98
2-22	TANK INSTALLATIONS	2-100
2-23	ROTARY COUPLING INSTALLATION	2-104
2-24	GROUND CONTROL BOX ASSEMBLY (PRIOR TO SN 0300061927)	2-106
2-25	GROUND CONTROL BOX ASSEMBLY (ADE SYSTEM) (SN 0300061927 TO SN 0300068000)	2-112
2-26	ELECTRICAL OPTIONS INSTALLATION (TURNTABLE MOUNTED)	2-116
2-27	ENGINE TRAY JACK INSTALLATION (OPTIONAL)	2-120
2-28	HOODS & LIFTING PLATE INSTALLATIONS - WITHOUT NOISE REDUCTION (PRIOR TO SN 0300027943)	2-122
2-29	HOODS & LIFTING PLATE INSTALLATIONS - WITH NOISE REDUCTION (SN 0300027943 TO SN 0300068000)	2-126

TABLE OF CONTENTS

FIGURE NO.	TITLE	PAGE NO.
SECTION 3 - BOOM		3-1
3-1	BOOM INSTALLATIONS - 600S	3-2
3-2	BOOM INSTALLATIONS - 600SJ & 660SJ	3-6
3-3	MAIN BOOM ASSEMBLIES	3-12
3-4	ROTATOR ASSEMBLIES (FRONT ENTRY PLATFORM)	3-16
3-5	ROTATOR ASSEMBLIES (SIDE ENTRY PLATFORM)	3-20
3-6	POWER TRACK INSTALLATIONS - PLASTIC TRACK (PRIOR TO SN 0300060842)	3-22
3-7	POWER TRACK INSTALLATIONS - STEEL TRACK (SN 0300060842 TO SN 0300068000)	3-26
SECTION 4 - PLATFORM		4-1
4-1	PLATFORM COMPONENTS INSTALLATION (FRONT ENTRY)	4-2
4-2	PLATFORM COMPONENTS INSTALLATION (SIDE ENTRY)	4-6
4-3	PLATFORM CONSOLE ASSEMBLY (PRIOR TO SN 0300061927)	4-10
4-4	PLATFORM CONSOLE ASSEMBLY (ADE SYSTEM) (SN 0300061927 TO SN 0300068000)	4-16
4-5	CONTROLLER ASSEMBLY (SWING AND LIFT) (PRIOR TO SN 0300039654) (ORIGINAL EQUIPMENT)	4-22
4-6	CONTROLLER ASSEMBLY (SWING AND LIFT) (SN 0300039654 TO SN 0300061927) (SERVICE REPLACEMENT)	4-26
4-7	CONTROLLER ASSEMBLY (SWING AND LIFT) (ADE SYSTEM) (SN 0300061927 TO SN 0300068000)	4-28
4-8	CONTROLLER ASSEMBLY (DRIVE AND STEER) (PRIOR TO SN 0300039654) (ORIGINAL EQUIPMENT)	4-32
4-9	CONTROLLER ASSEMBLY (DRIVE AND STEER) (SN 0300039654 TO SN 0300061927) (SERVICE REPLACEMENT)	4-36
4-10	CONTROLLER ASSEMBLY (DRIVE AND STEER) (ADE SYSTEM) (SN 0300061927 TO SN 0300068000)	4-38
4-11	SOFT TOUCH SYSTEM INSTALLATION (OPTIONAL)	4-42
SECTION 5 - CYLINDER		5-1
5-1	AXLE LOCKOUT CYLINDER ASSEMBLY	5-2
5-2	PLATFORM LEVEL CYLINDER ASSEMBLY - 600S	5-4
5-3	PLATFORM LEVEL CYLINDER ASSEMBLIES - 600SJ & 660SJ	5-6
5-4	MAIN LIFT CYLINDER ASSEMBLY	5-8
5-5	ARTICULATING JIB LIFT CYLINDER ASSEMBLY - 600SJ & 660SJ	5-12
5-6	MASTER CYLINDER ASSEMBLIES	5-14
5-7	STEER CYLINDER ASSEMBLY	5-18
5-8	TELESCOPE CYLINDER ASSEMBLIES	5-20
5-9	CYLINDER BELLOWS INSTALLATIONS (OPTIONAL)	5-22
SECTION 6 - HYDRAULIC		6-1
6-1	HYDRAULIC DIAGRAM - DRIVE & STEER (2WD/2WS)	6-2
6-2	HYDRAULIC DIAGRAM - DRIVE & STEER (4WD/2WS)	6-4
6-3	HYDRAULIC DIAGRAM - OSCILLATING AXLE	6-8
6-4	HYDRAULIC DIAGRAM - STANDARD	6-10
6-5	HYDRAULIC DIAGRAM LIST	6-14

TABLE OF CONTENTS

FIGURE NO.	TITLE	PAGE NO.
SECTION 7 - ELECTRICAL		7-1
7-1	ELECTRICAL DIAGRAM LIST	7-2
7-2	HARNESS COMPONENTS INSTALLATION (PRIOR TO SN 0300061927)	7-6
7-3	HARNESS COMPONENTS INSTALLATION (ADE SYSTEM) (SN 0300061927 TO SN 0300063909)	7-18
7-4	HARNESS COMPONENTS INSTALLATION (ADE SYSTEM) (SN 0300064499 TO SN 0300068000)	7-26
SECTION 8 - DECALS		8-1
8-1	DECALS INSTALLATION - STANDARD	8-2
8-2	DECAL INSTALLATION - COUNTRY SPEC	8-6
SECTION 9 - RECOMMENDED SERVICE PARTS STOCK		9-1
SECTION 10 - SPECIAL OPTIONS		10-1
SECTION 11 - PARTS NUMBER INDEX		11-1

TABLE OF CONTENTS

FIGURE NO.

TITLE

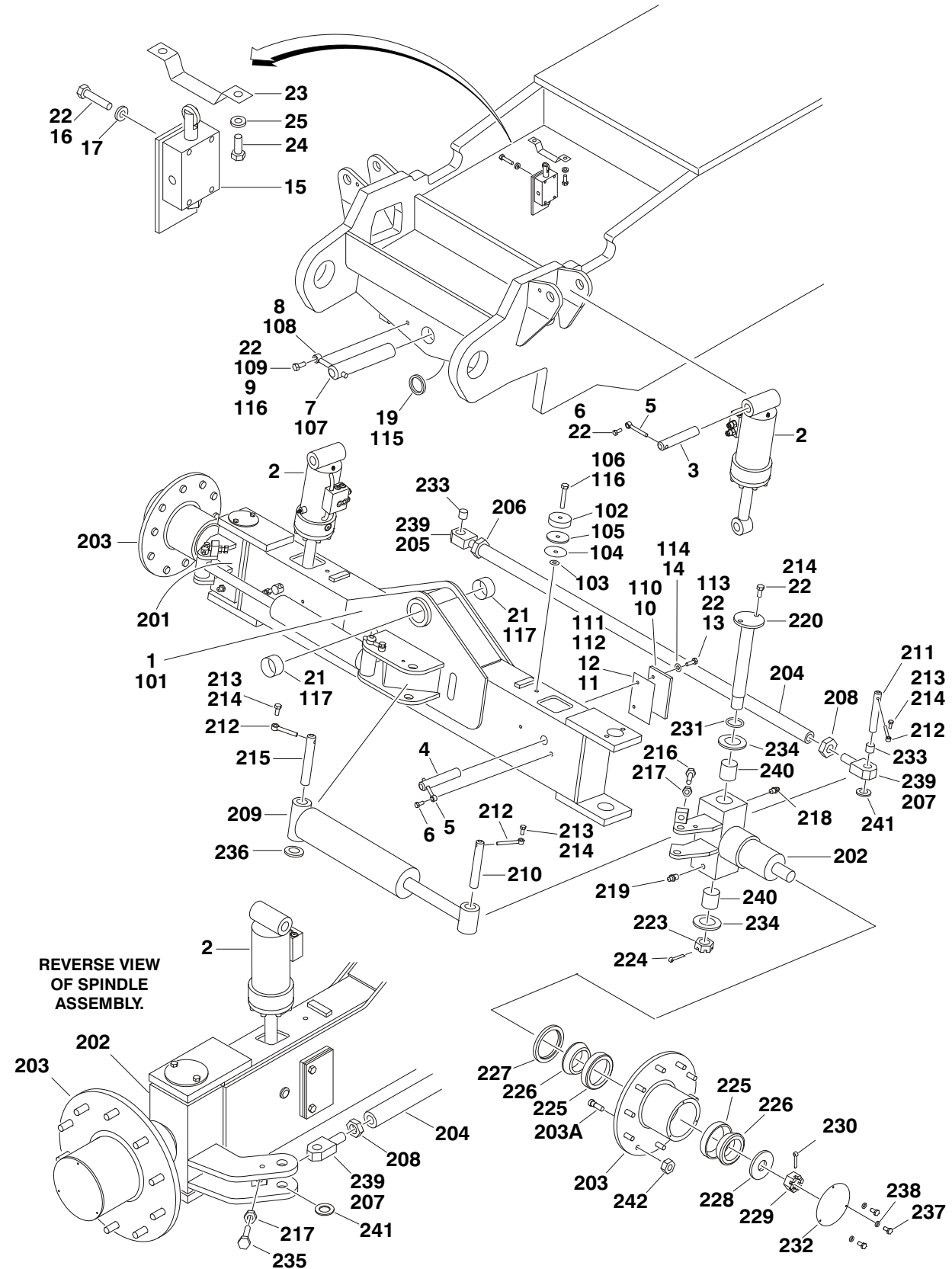
PAGE NO.

SECTION 1 FRAME

TABLE OF CONTENTS		
FIGURE	DESCRIPTION	PAGE
1-1	2WD FRONT AXLE AND STEERING INSTALLATIONS	1-2
1-2	4WD FRONT AXLE AND STEERING INSTALLATIONS	1-6
1-3	4WS REAR STEERING INSTALLATIONS	1-10
1-4	TIRE AND WHEEL DRIVE INSTALLATIONS	1-14
1-5	DRIVE HUB ASSEMBLY (PRIOR TO SN 0300064395)	1-18
1-6	DRIVE HUB ASSEMBLY (SN 0300064395 TO SN 0300068000)	1-22
1-7	DRIVE BRAKE ASSEMBLY	1-24
1-8	DRIVE MOTOR ASSEMBLY - REXROTH	1-28
1-9	DRIVE VALVES AND SHIELDS INSTALLATION (FRAME MOUNTED)	1-30
1-10	TOW PACKAGE INSTALLATIONS (OPTIONAL)	1-32

SECTION 1 FRAME

FIGURE 1-1. 2WD FRONT AXLE AND STEERING INSTALLATIONS



SECTION 1 FRAME

FIGURE 1-1. 2WD FRONT AXLE AND STEERING INSTALLATIONS

FIG & ITEM #	PART NUMBER	DESCRIPTION	QTY.	REV.
		AXLE INSTALLATIONS - OSCILLATING	Ref	
	0254817	ANSI Machines (Prior to SN 0300041810)	Ref	8
	0256394	ANSI Machines (SN 0300041810 to SN 0300068000)	Ref	5
	0256394	CSA Machines	Ref	5
1	4844777	Axle Weldment	1	
2	1683078	Lockout Cylinder Assembly (See CYLINDER SECTION for Breakdown)	2	
3	3422333	Pin, Pivot	2	
4	3422332	Pin, Cylinder	2	
5	3841143	Keeper, Pin	4	
6	0641608	Bolt 3/8in-16NC x 1in	4	
7		Pin, Axle Pivot Options:	1	
	Use 3422591	ANSI Machines (Prior to SN 0300041810) (was p/n 3422325)		
	3422591	ANSI Machines (SN 0300041810 to SN 0300068000) & CSA Machines		
8	3841258	Keeper, Pin	1	
9	0642012	Bolt 5/8in-11NC x 1-1/2in	1	
10	3538047	Plate, Wear	2	
11	4070878	Shim 1/16in	AR	
12	4070879	Shim 1/8in	AR	
13	0641612	Bolt 3/8in-16NC x 1-1/2in	4	
14	4711600	Flatwasher 3/8in Thin	4	
15	4640871	Valve, Cam	1	
	7012693	Seal Kit - 4640871 Valve	1	
	7002840	Pin Removal Tool	1	
16	0641414	Bolt 1/4in-20NC x 1-3/4in	4	
17	4711400	Flatwasher 1/4in Thin	4	
18	Not Used			
19	4740158	Thrustwasher	1	
20	Not Used			
21	0961950	Bushing, Garmax	2	
22	0100011	Compound, Locking	AR	
23	1100086	Cam	1	
24	0641814	Bolt 1/2in-13NC x 1-3/4in	2	
25	4751800	Flatwasher 1/2in Regular	AR	
		AXLE INSTALLATIONS - FIXED	Ref	
	0254845	ANSI Machines (Prior to SN 0300041810)	Ref	5
	0256621	ANSI Machines (SN 0300041810 to SN 0300068000)	Ref	4
	0256621	CSA Machines	Ref	4
101	4844777	Axle Weldment	1	
102	3539877	Plate, Stop	2	
103	3539878	Plate, Stop	2	
104	4070944	Shim (.06)	AR	
105	4070945	Shim (.25)	AR	

SECTION 1 FRAME

FIGURE 1-1. 2WD FRONT AXLE AND STEERING INSTALLATIONS (CONTINUED)

FIG & ITEM #	PART NUMBER	DESCRIPTION	QTY.	REV.
106		Hardware Options:	2	
	0641820	Bolt 1/2in-13NC x 2-1/2in (Prior to SN 0300038047)		
	3931840	Screw 1/2in-13NC x 2-1/2in (SN 0300038047 to SN 0300068000)		
107		Pin, Pivot Options:	1	
	Use 3422591	ANSI Machines (Prior to SN 0300041810) (was p/n 3422325)		
	3422591	ANSI Machines (SN 0300041810 to SN 0300068000) & CSA Machines		
108	3841258	Keeper, Pin	1	
109	0642012	Bolt 5/8in-11NC x 1-1/2in	1	
110	3538047	Plate, Wear	2	
111	4070878	Shim 1/16in	AR	
112	4070879	Shim 1/8in	AR	
113	0641608	Bolt 3/8in-16NC x 1in	4	
114	4711600	Flatwasher 3/8in Thin	4	
115	4740158	Thrustwasher	1	
116	0100019	Compound, Locking	AR	
117	0961950	Bushing, Garmax	2	
		STEERING INSTALLATIONS	Ref	
	0254944	Prior to SN 0300034646	Ref	7/E
	0257732	SN 0300034646 to SN 0300068000	Ref	2/A
201		Spindle - Right Side Options:	1	
	4130312	Prior to SN 0300034646		
	4130353	SN 0300034646 to SN 0300068000		
202		Spindle - Left Side Options:	1	
	4130311	Prior to SN 0300034646		
	4130354	SN 0300034646 to SN 0300068000		
203	2780188	Hub	2	
203A	0630078	Stud, Wheel (10 Per Hub)	20	
204	3841236	Tie-Rod	1	
205	0561138	End, Tie-Rod (Right Side/RH Threads)	1	
206	3323002	Nut, Jam 1-1/4in-12NF (RH Threads)	1	
207	0561139	End, Tie-Rod (Left Side/LH Threads)	1	
208	3300229	Nut, Jam 1-1/4in-12NF (LH Threads)	1	
209	1683208	Steer Cylinder Assembly (See CYLINDER SECTION for Breakdown)	2	
210	3422351	Pin, Steer Cylinder	2	
211	3422352	Pin, Tie-Rod	2	
212	3841143	Shaft, Keeper	6	
213	0641608	Bolt 3/8in-16NC x 1in	6	
214	0100011	Compound, Locking	AR	
215	3422326	Pin, Steer Cylinder	2	
216	0682014	Bolt 5/8in-11NC x 1-3/4in (Grade 8)	2	
217	3312002	Nut, Jam 5/8in-11NC	4	
218	2160002	Fitting, Grease (Prior to SN 0300034646 Only)	2	
219	4640812	Valve Relief (Prior to SN 0300034646 Only)	2	

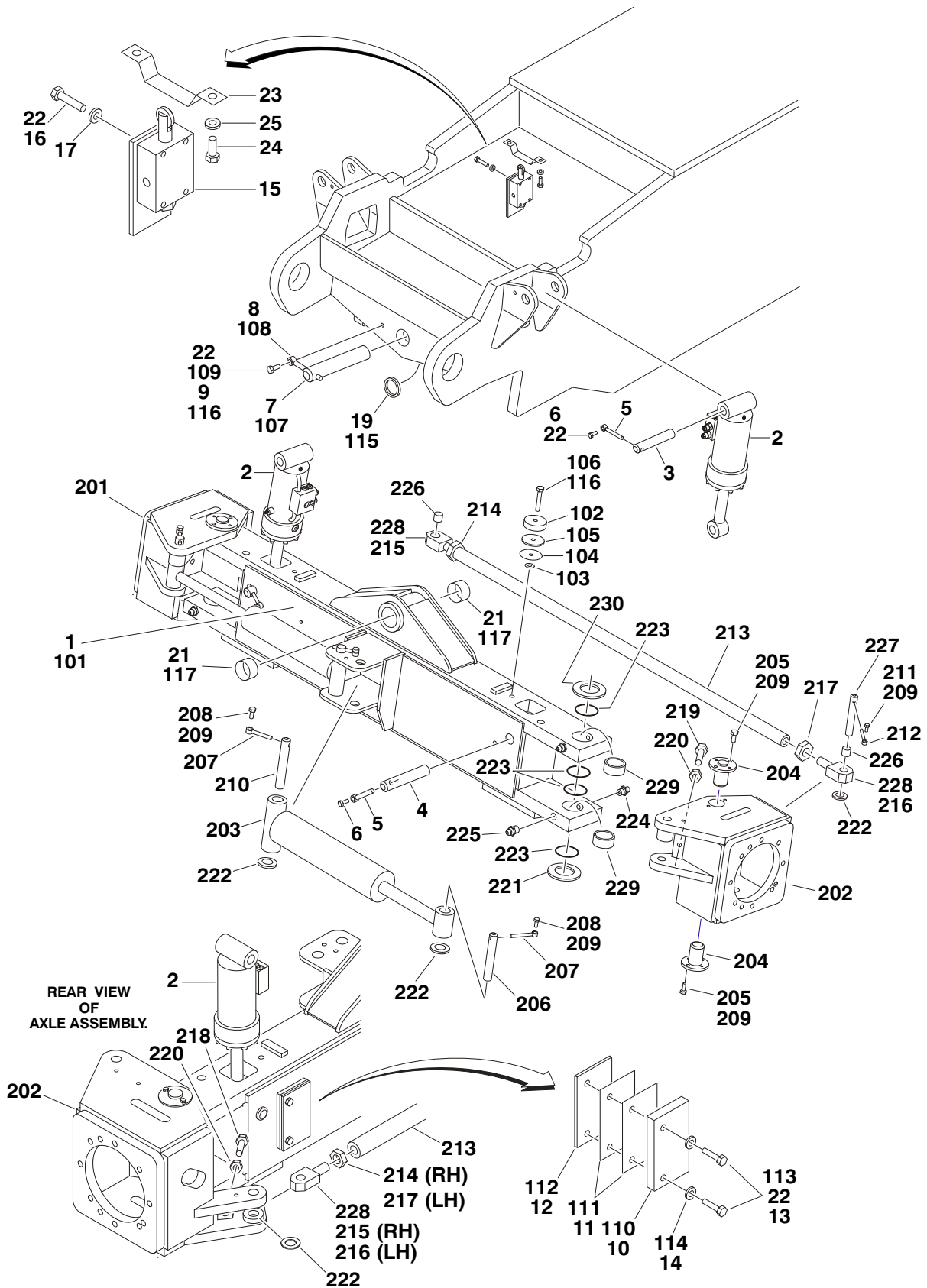
SECTION 1 FRAME

FIGURE 1-1. 2WD FRONT AXLE AND STEERING INSTALLATIONS (CONTINUED)

FIG & ITEM #	PART NUMBER	DESCRIPTION	QTY.	REV.
220	3422335	Kingpin	2	
221	Not Used			
222	0681610	Bolt 3/8in-16NC x 1-1/4in (Grade 8)	4	
223	3324203	Nut, Slotted 2in-4 1/2NF	2	
224	3451012	Pin, Cotter 5/8in x 3in	2	
225	0440171	Cup, Bearing - Inner	4	
226	0440170	Cone, Bearing - Inner	4	
227	3960343	Seal, Grease	2	
228	4740283	Flatwasher, Hardened	2	
229	3323403	Nut, Slotted 1-1/2in-6NF	2	
230	3451010	Pin, Cotter 5/8in x 2-1/2in	2	
231	3780187	O-Ring	4	
232	1120304	Cap, Hub	2	
233	0961977	Bearing	2	
234		Thrustwasher Options:	AR	
	4740314	Prior to SN 0300034646	4	
	4740463	SN 0300034646 to SN 0300068000 (Top)	2	
	4740256	SN 0300034646 to SN 0300068000 (Bottom)	2	
235	0682012	Bolt 5/8in-11NC x 1-1/2in (Grade 8)	2	
236		Thrustwasher Options:	4	
	0440091	Prior to SN 0300035329		
	4740111	SN 0300035329 to SN 0300068000		
237	0721003	Bolt #10-24NC x 3/8in	6	
238	4761000	Lockwasher #10	6	
239	0100063	Loctite RC609	AR	
240		Bushing, Bronze Options:	4	
	0961883	Prior to SN 0300034646		
	0962036	SN 0300034646 to SN 0300068000		
241	4740067	Thrustwasher	2	
242	3300007	Lugnut (10 per wheel)	20	

SECTION 1 FRAME

FIGURE 1-2. 4WD FRONT AXLE AND STEERING INSTALLATIONS



SECTION 1 FRAME

FIGURE 1-2. 4WD FRONT AXLE AND STEERING INSTALLATIONS

FIG & ITEM #	PART NUMBER	DESCRIPTION	QTY.	REV.
		AXLE INSTALLATIONS - OSCILLATING	Ref	
	0254818	ANSI Machines (Prior to SN 0300038047)	Ref	6
	0257747	ANSI Machines (SN 0300038047 to SN 0300041810)	Ref	5
	0257749	ANSI Machines (SN 0300041810 to SN 0300061704)	Ref	5
	0256396	CSA Machines (Prior to SN 0300038047)	Ref	1
	0257749	CSA Machines (SN 0300038047 to SN 0300061704)	Ref	5
	0271003	ANSI/CSA Machines (SN 0300061704 to SN 0300068000)	Ref	B
1		Axle Weldment Options:	1	
	4844690	Prior to SN 0300038047		
	4845588	SN 0300038047 to SN 0300061704		
	4846288	SN 0300061704 to SN 0300068000		
2	1683078	Lockout Cylinder Assembly (See CYLINDER SECTION for Breakdown)	2	
3	3422333	Pin, Pivot	2	
4		Pin, Cylinder Options:	2	
	3422332	Prior to SN 0300061704		
	3422904	SN 0300061704 to SN 0300068000		
5	3841143	Keeper, Pin	4	
6	0641608	Bolt 3/8in-16NC x 1in	4	
7		Pin, Axle Pivot Options:	1	
	Use 3422591	ANSI Machines (Prior to SN 0300041810) (was p/n 3422325)		
	3422591	ANSI Machines (SN 0300041810 to SN 0300068000) & CSA Machines		
8	3841258	Keeper, Pin	1	
9	0642012	Bolt 5/8in-11NC x 1-1/2in	1	
10	3538047	Plate, Wear (Prior to SN 0300061704)	2	
11	4070878	Shim 1/16in	AR	
12	4070879	Shim 1/8in	AR	
13	0641608	Bolt 3/8in-16NC x 1in	4	
14	4711600	Flatwasher 3/8inThin	4	
15	4640871	Valve, Cam	1	
	7012693	Seal Kit - 4640871 Valve	1	
	7002840	Pin Removal Tool	1	
16	0641414	Bolt 1/4in-20NC x 1-3/4in	4	
17	4711400	Flatwasher 1/4inThin	4	
18	Not Used			
19	4740158	Thrustwasher	1	
20	Not Used			
21	0961950	Bushing, Composite	2	
22	0100011	Compound, Locking	AR	
23	1100086	Cam	1	
24	0641814	Bolt 1/2in-13NC x 1-3/4in	2	
25		Flatwasher 1/2in Options:	AR	
	4751800	Prior to SN 0300061704 (Regular)		
	4711800	SN 0300061704 to SN 0300068000 (Thin)		

SECTION 1 FRAME

SECTION 1 FRAME

FIGURE 1-2. 4WD FRONT AXLE AND STEERING INSTALLATIONS (CONTINUED)

FIG & ITEM #	PART NUMBER	DESCRIPTION	QTY.	REV.
		AXLE INSTALLATIONS - FIXED	Ref	
	0254846	ANSI Machines (Prior to SN 0300038047)	Ref	2
	0257748	ANSI Machines (SN 0300038047 to SN 0300041810)	Ref	3
	0257750	ANSI Machines (SN 0300041810 to SN 0300061704)	Ref	3
	0256620	CSA Machines (Prior to SN 0300038047)	Ref	2
	0257750	CSA Machines (SN 0300038047 to SN 0300061704)	Ref	3
	0271004	ANSI/CSA Machines (SN 0300061704 to SN 0300068000)	Ref	A
101		Axle Weldment Options:	1	
	4844777	Prior to SN 0300061704		
	4846288	SN 0300061704 to SN 0300068000		
102	3539877	Plate, Stop	2	
103	3539878	Plate, Stop	2	
104	4070944	Shim (.06)	AR	
105	4070945	Shim (.25)	AR	
106		Hardware Options:	2	
	0641820	Bolt 1/2in-13NC x 2-1/2in (Prior to SN 0300038047)		
	3931840	Screw 1/2in-13NC x 2-1/2in (SN 0300038047 to SN 0300068000)		
107		Pin, Pivot Options:	1	
	Use 3422591	ANSI Machines (Prior to SN 0300041810) (was p/n 3422325)		
	3422591	ANSI Machines (SN 0300041810 to SN 0300068000) & CSA Machines		
108	3841258	Keeper, Pin	1	
109	0642012	Bolt 5/8in-11NC x 1-1/2in	1	
110	3538047	Plate, Wear (Prior to SN 0300061704)	2	
111	4070878	Shim 1/16in	AR	
112	4070879	Shim 1/8in	AR	
113	0641608	Bolt 3/8in-16NC x 1in	4	
114	4711600	Flatwasher 3/8in Thin	4	
115	4740158	Thrustwasher	1	
116	0100019	Compound, Locking	AR	
117	0961950	Bushing, Composite	2	
		STEERING INSTALLATIONS	Ref	
	0254942	Prior to SN 0300038047	Ref	5/D
	0257731	SN 0300038047 to SN 0300061704	Ref	3
	0270868	SN 0300061704 to SN 0300068000	Ref	A
201		Spindle - Right Side Options:	1	
	4130308	Prior to SN 0300061704		
	4130381	SN 0300061704 to SN 0300068000		
202		Spindle - Left Side Options:	1	
	4130309	Prior to SN 0300061704		
	4130382	SN 0300061704 to SN 0300068000		
203	1683208	Steer Cylinder Assembly (See CYLINDER SECTION for Breakdown	2	

SECTION 1 FRAME

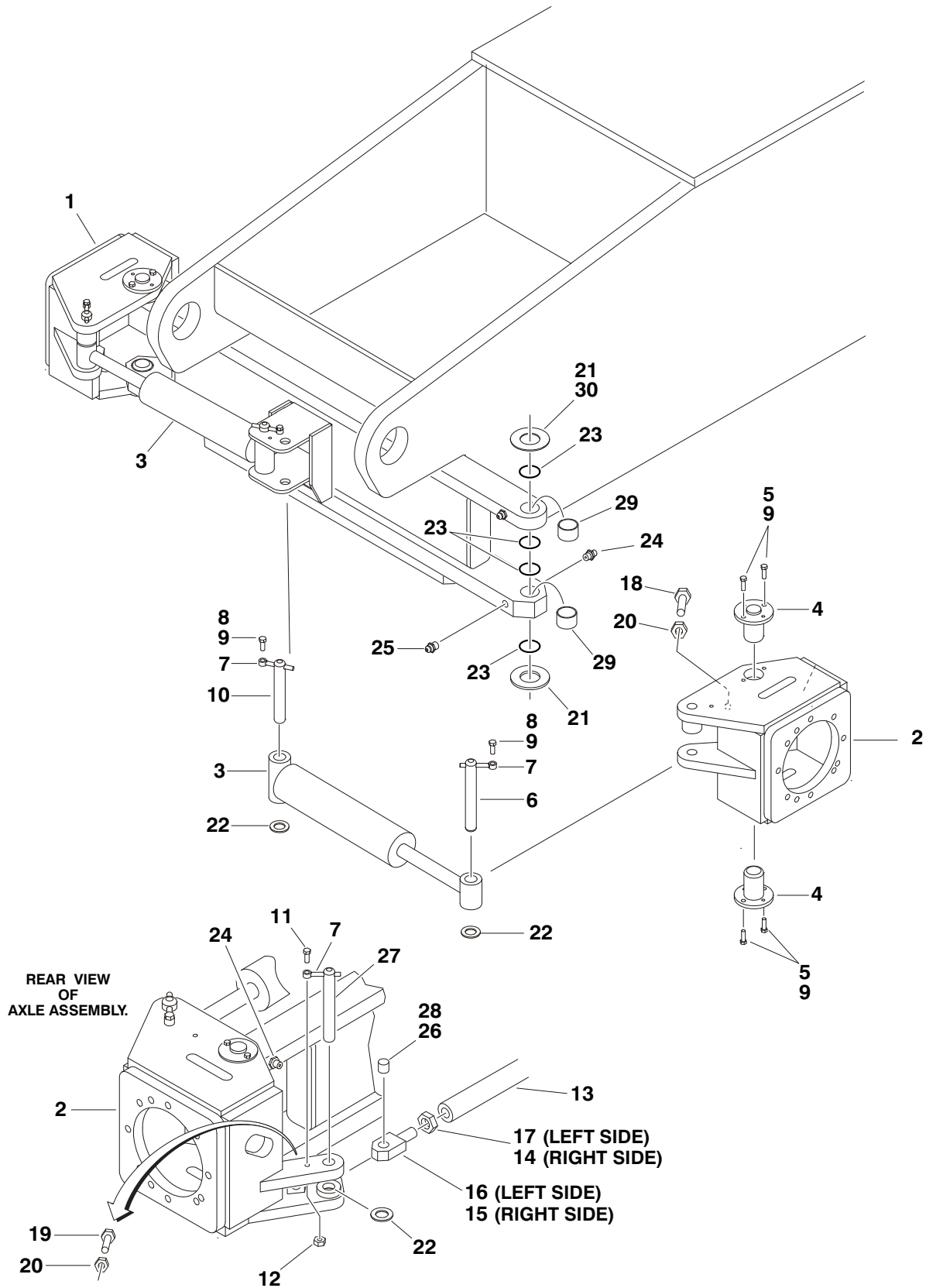
FIGURE 1-2. 4WD FRONT AXLE AND STEERING INSTALLATIONS (CONTINUED)

FIG & ITEM #	PART NUMBER	DESCRIPTION	QTY.	REV.
204		Kingpin Options:	4	
	3422330	Prior to SN 0300047411		
	3422753	SN 0300047411 to SN 0300068000		
205	0681610	Bolt 3/8in-16NC x 1-1/4in (Grade 8)	8	
206		Pin, Steer Cylinder Options:	2	
	3422327	Prior to SN 0300061704		
	3422902	SN 0300061704 to SN 0300068000		
207	3841143	Shaft, Keeper	6	
208	0641608	Bolt 3/8in-16NC x 1in	4	
209	0100011	Compound, Locking	AR	
210	3422326	Pin, Steer Cylinder	2	
211	0641612	Bolt 3/8in-16NC x 1-1/2in	2	
212	3311605	Locknut 3/8in-16NC (Prior to SN 0300061704)	2	
213		Tie-Rod Options:	1	
	3841234	Prior to SN 0300061704		
	3841510	SN 0300061704 to SN 0300068000		
214	3323002	Nut, Jam 1-1/4in-12NF (RH Threads) (Prior to SN 0300061704)	1	
215	0561138	End, Tie-Rod (Right Side/RH Threads) (Prior to SN 0300061704)	1	
216	0561139	End, Tie-Rod (Left Side/LH Threads) (Prior to SN 0300061704)	1	
217	3300229	Nut, Jam 1-1/4in-12NF (LH Threads) (Prior to SN 0300061704)	1	
218	0682014	Bolt 5/8in-11NC x 1-3/4in (Grade 8) (Prior to SN 0300061704)	2	
219	0682016	Bolt 5/8in-11NC x 2in (Grade 8) (Prior to SN 0300061704)	2	
220	3312002	Nut, Jam 5/8in-11NC (Prior to SN 0300061704)	4	
221		Thrustwasher Options:	2	
	4740391	Prior to SN 0300038047		
	4740463	SN 0300038047 to SN 0300068000		
222	4740111	Thrustwasher	6	
223	3780187	O-Ring (Prior to SN 0300038047)	8	
224	4640812	Valve Relief (Prior to SN 0300038047 Only)	4	
225	2160002	Fitting, Grease (Prior to SN 0300038047 Only)	4	
226	0961977	Bearing	2	
227		Pin Options:	2	
	3422328	Prior to SN 0300061704		
	3422903	SN 0300061704 to SN 0300068000		
228	0100063	Loctite RC609 (Prior to SN 0300061704)	AR	
229		Bushing, Composite Options:	4	
	0961850	Prior to SN 3030008047		
	0962131	SN 0300038047 to SN 0300068000		
230		Thrustwasher Options:	2	
	4740449	Prior to SN 0300038047		
	4740256	SN 0300038047 to SN 0300068000		

SECTION 1 FRAME

FIGURE 1-3. 4WS REAR STEERING INSTALLATIONS

SECTION 1 FRAME



SECTION 1 FRAME

FIGURE 1-3. 4WS REAR STEERING INSTALLATIONS

FIG & ITEM #	PART NUMBER	DESCRIPTION	QTY.	REV.
		4WS REAR STEERING INSTALLATIONS OPTIONS:	Ref	
	0254945	4WS Installation - 2WD Machines (Prior to SN 0300038047)	Ref	1
	0257744	4WS Installation - 2WD Machines (SN 0300038047 to SN 0300068000)	Ref	2
	0254943	4WS Installation - 4WD Machines (Prior to SN 0300038047)	Ref	1
	0257743	4WS Installation - 4WD Machines (SN 0300038047 to SN 0300061704)	Ref	1
	0271005	4WS Installation - 4WD Machines (SN 0300061704 to SN 0300068000)	Ref	1
		STEERING INSTALLATIONS	Ref	
	0254942	Prior to SN 0300038047	Ref	5/D
	0257731	SN 0300038047 to SN 0300061704	Ref	3
	0270868	SN 0300061704 to SN 0300068000	Ref	A
1		Spindle - Right Side Options:	1	
	4130308	Prior to SN 0300061704		
	4130381	SN 0300061704 to SN 0300068000		
2		Spindle - Left Side Options:	1	
	4130309	Prior to SN 0300061704		
	4130382	SN 0300061704 to SN 0300068000		
3	1683208	Steer Cylinder Assembly (See CYLINDER SECTION for Breakdown)	2	
4		Kingpin Options:	4	
	3422330	Prior to SN 0300047411		
	3422753	SN 0300047411 to SN 0300068000		
5	0681610	Bolt 3/8in-16NC x 1-1/4in (Grade 8)	8	
6		Pin, Steer Cylinder Options:	2	
	3422327	Prior to SN 0300061704		
	3422902	SN 0300061704 to SN 0300068000		
7	3841143	Shaft, Keeper	6	
8	0641608	Bolt 3/8in-16NC x 1in	4	
9	0100011	Compound, Locking	AR	
10	3422326	Pin, Steer Cylinder	2	
11	0641612	Bolt 3/8in-16NC x 1-1/2in	2	
12	3311605	Locknut 3/8in-16NC (Prior to SN 0300061704)	2	
13		Tie-Rod Options:	1	
	3841234	Prior to SN 0300061704		
	3841510	SN 0300061704 to SN 0300068000		
14	3323002	Nut, Jam 1-1/4in-12NF (RH Threads) (Prior to SN 0300061704)	1	
15	0561138	End, Tie-Rod (Right Side/RH Threads) (Prior to SN 0300061704)	1	
16	0561139	End, Tie-Rod (Left Side/LH Threads) (Prior to SN 0300061704)	1	
17	3300229	Nut, Jam 1-1/4in-12NF (LH Threads) (Prior to SN 0300061704)	1	

SECTION 1 FRAME

FIGURE 1-3. 4WS REAR STEERING INSTALLATIONS (CONTINUED)

FIG & ITEM #	PART NUMBER	DESCRIPTION	QTY.	REV.
18	0682014	Bolt 5/8in-11NC x 1-3/4in (Grade 8) (Prior to SN 0300061704)	2	
19	0682016	Bolt 5/8in-11NC x 2in (Grade 8) (Prior to SN 0300061704)	2	
20	3312002	Nut, Jam 5/8in-11NC (Prior to SN 0300061704)	4	
21		Thrustwasher Options:	2	
	4740391	Prior to SN 0300038047		
	4740463	SN 0300038047 to SN 0300068000		
22	4740111	Thrustwasher	6	
23	3780187	O-Ring (Prior to SN 0300038047)	8	
24	4640812	Valve Relief (Prior to SN 0300038047 Only)	4	
25	2160002	Fitting, Grease (Prior to SN 0300038047 Only)	4	
26	0961977	Bearing	2	
27		Pin Options:	2	
	3422328	Prior to SN 0300061704		
	3422903	SN 0300061704 to SN 0300068000		
28	0100063	Loctite RC609 (Prior to SN 0300061704)	AR	
29		Bushing, Composite Options:	4	
	0961850	Prior to SN 0300038047		
	0962131	SN 0300038047 to SN 0300068000		
30		Thrustwasher Options:	2	
	4740449	Prior to SN 0300038047		
	4740256	SN 0300038047 to SN 0300068000		

SECTION 1 FRAME

SECTION 1 FRAME

FIGURE 1-3. 4WS REAR STEERING INSTALLATIONS (CONTINUED)

FIG & ITEM #	PART NUMBER	DESCRIPTION	QTY.	REV.

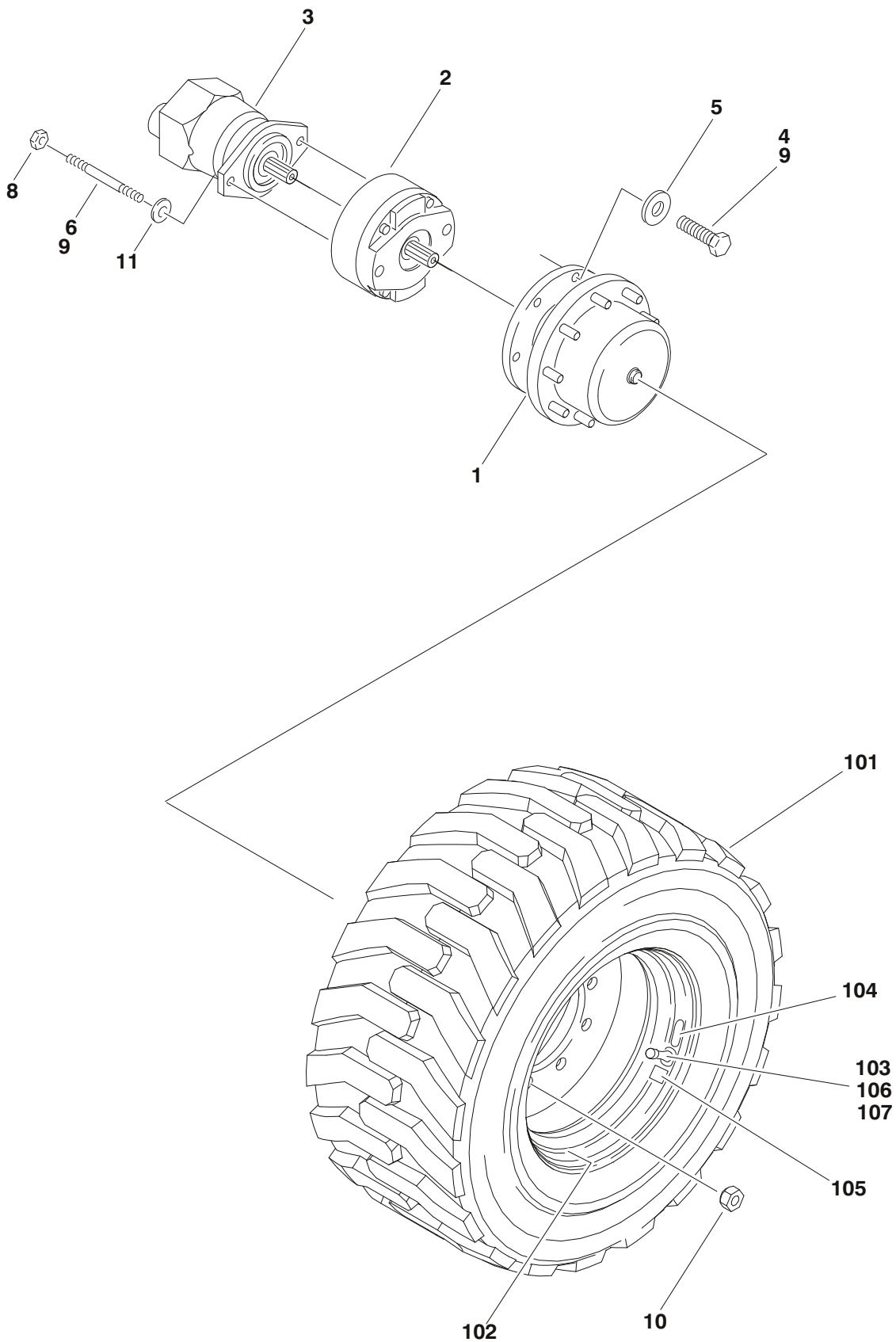
**S
E
C
T
I
O
N

1

F
R
A
M
E**

SECTION 1 FRAME

FIGURE 1-4. TIRE AND WHEEL DRIVE INSTALLATIONS



SECTION 1 FRAME

FIGURE 1-4. TIRE AND WHEEL DRIVE INSTALLATIONS

FIG & ITEM #	PART NUMBER	DESCRIPTION	QTY.	REV.
		WHEEL DRIVE INSTALLATIONS OPTIONS:	Ref	
	0254975	2WD, 2WS/4WS (Prior to SN 0300056536)	Ref	5
	0270121	2WD, 2WS/4WS (SN 0300056536 to SN 0300068000)	Ref	3
	0254976	4WD, 2WS/4WS (Prior to SN 0300056536)	Ref	7
	0270120	4WD, 2WS/4WS (SN 0300056536 to SN 0300068000)	Ref	3
1		Drive Hub Assembly Options:	AR	
		2WD, 2WS/4WS Options:	2	
	2780114	Prior to SN 0300064395 (See DRIVE HUB ASSEMBLY for Breakdown)		
	2780261	SN 64395 to SN 0300068000 (See DRIVE HUB ASSEMBLY for Breakdown)		
		4WD, 2WS/4WS Options:	4	
	2780136	Prior to SN 0300064395 (See DRIVE HUB ASSEMBLY for Breakdown)		
	2780261	SN 0300064395 to SN 0300068000 (See DRIVE HUB ASSEMBLY for Breakdown)		
2		Drive Brake Assembly Options: (See DRIVE BRAKE ASSEMBLY for Breakdown)	AR	
	See Note	Prior to SN 0300033476 (Note: Recommend using 0920110 as a complete replacement for 0920084)		
	0920110	SN 0300033476 to SN 0300056536		
	Use 0920119	SN 0300056536 to SN 0300068000 (was p/n 0920117)		
	7000731	Gasket (Located between Hub/Brake/Motor - Not Shown)	2	
3	3160204	Drive Motor Assembly (See DRIVE MOTOR ASSEMBLY - REXROTH for Breakdown)	AR	
		Note: Adjustment required when replacing complete motor - See Service Manual for adjustment.	Ref	
4	0682016	Bolt 5/8in-11NC x 2in (Grade 8)	AR	
5		Flatwasher 5/8in Options:	AR	
	4712000	Prior to SN 0300037066 (Thin)		
	4892000	SN 0300037066 to SN 0300068000 (Hardened)		
6		Stud Options:	AR	
	4300092	Stud 1/2in-13NC x 5-1/2in		
	4300097	Stud 1/2in-13NC x 5-1/8in		
7	Not Used			
8	3311801	Nut 1/2in - 13 NC	AR	
9	0100011	Compound, Locking	AR	
10	3300007	Nut, Wheel	20	
11	4891800	Flatwasher 1/2in Hardened	AR	

SECTION 1 FRAME

FIGURE 1-4. TIRE AND WHEEL DRIVE INSTALLATIONS

FIG & ITEM #	PART NUMBER	DESCRIPTION	QTY.	REV.
		TIRE AND WHEEL INSTALLATIONS OPTIONS:	Ref	
	0255299	Pneumatic - Denman Tires (Prior to SN 0300033658)	Ref	1
	0257875	Pneumatic - Galaxy Tires (SN 0300033658 to SN 0300064780)	Ref	1
	0271618	Pneumatic - OTR Tires (SN 0300064780 to SN 0300068000)	Ref	1
	0272297	Pneumatic W/Sealant - OTR Tires (SN 0300068874 to SN 0300068000)	Ref	1
	0255302	Foam-Filled - Denman Tires (Prior to SN 0300033703)	Ref	1
	0257874	Foam-Filled - Galaxy Tires (SN 0300033703 to SN 0300064780)	Ref	1
	0271619	Foam-Filled - OTR Tires (SN 0300064780 to SN 0300068000)	Ref	1
		Note: Recommend using Galaxy Tires in place of Denman.	Ref	
		Tire and Wheel Assembly Options: (See Items 101 to 107 for Breakdown)	2	
		Pneumatic (Prior to SN 0300033658)		
	0255298	Denman Tire (Left Side)		4/D
	0255297	Denman Tire (Right Side)		4/D
		Pneumatic (SN 0300033658 to SN 0300064780)		
	0257865	Galaxy Tire (Left Side)		1/A
	0257864	Galaxy Tire (Right Side)		1/A
		Pneumatic (SN 0300064780 to SN 0300068000)		
	0271614	OTR Tire (Left Side)		A
	0271615	OTR Tire (Right Side)		A
		Pneumatic (SN 0300068874 to SN 0300068000)		
	0272317	W/Sealant - OTR Tire (Left Side)		A
	0272318	W/Sealant - OTR Tire (Right Side)		A
		Foam-Filled (Prior to SN 0300033703)		
	0255301	Denman Tire (Left Side)		3/B
	0255300	Denman Tire (Right Side)		3/B
		Foam-Filled (SN 0300033703 to SN 0300064780)		
	0257867	Galaxy Tire (Left Side)		1/A
	0257866	Galaxy Tire (Right Side)		1/A
		Foam-Filled (SN 0300064780 to SN 0300068000)		
	0271616	OTR Tire (Left Side)		A
	0271617	OTR Tire (Right Side)		A
		Note: Assemblies may require ballast/foam filling to manufacturer's specifications prior to installing on a machine. Refer to Operation & Safety or Service & Maintenance Manuals. Purchase individual tire and/or rim only if able to foam fill tire & wheel assembly, otherwise, purchase complete assembly.	Ref	

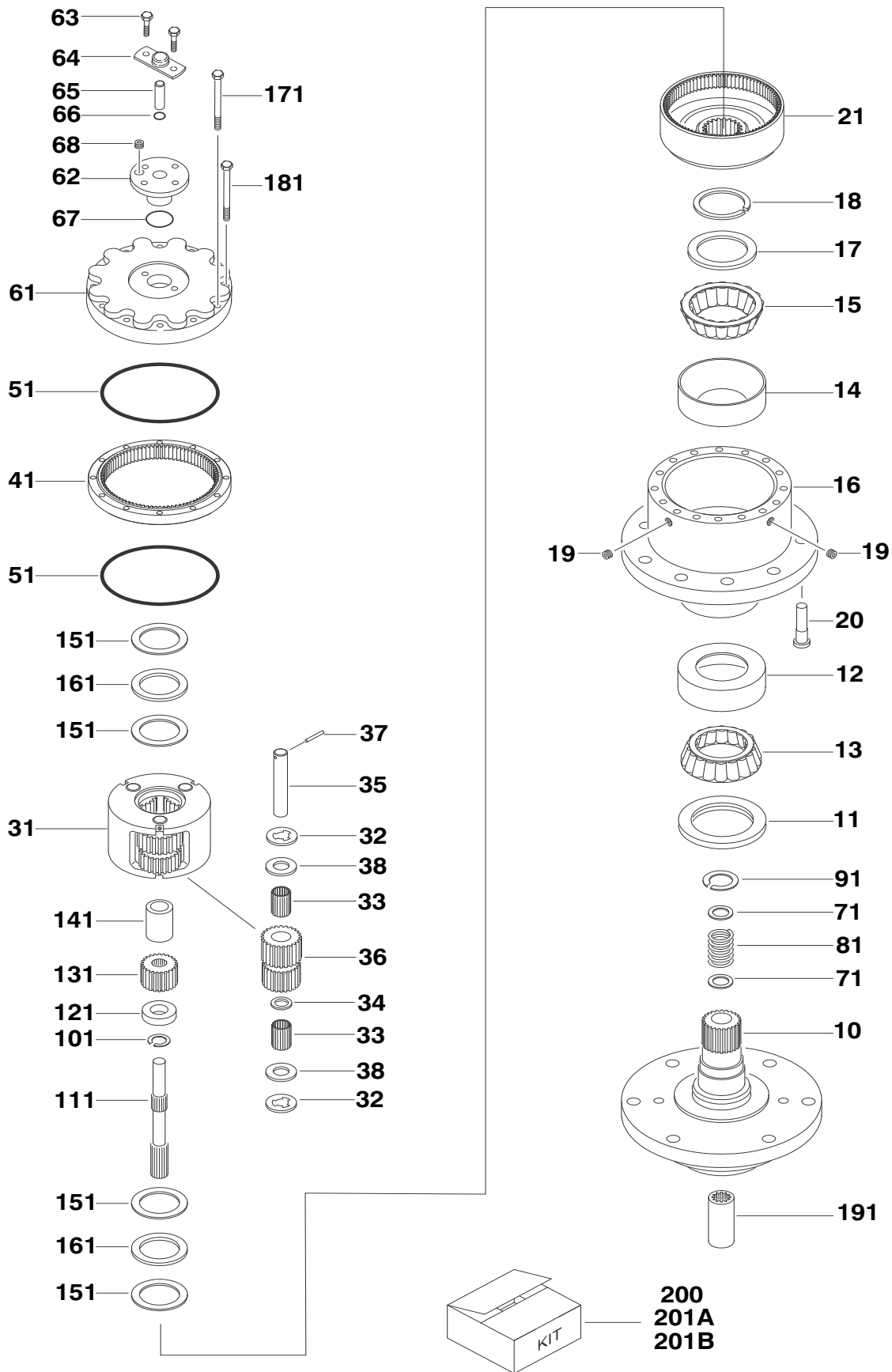
SECTION 1 FRAME

FIGURE 1-4. TIRE AND WHEEL DRIVE INSTALLATIONS

FIG & ITEM #	PART NUMBER	DESCRIPTION	QTY.	REV.
101	See Note Use 4520258 4520258	Tire 15 x 19.5 (1 Per Assembly) Denman Tire (Recommend using 4520200 & 1703504 as replacement for original 4520142) Galaxy Tire (Prior to SN 0300064780) (p/n was 4520200) OTR Tire (SN 0300064780 to SN 0300068000)	AR	
102	4860148	Rim, Wheel (1 Per Assembly)	AR	
103	4640113	Valve, Air (1 Per Assembly)	AR	
104		Decal Options: 70 PSI (Denman Tires) 95 PSI (Galaxy/OTR Tires)	AR	
105	1705364	Decal - Tire Sealant (with Sealant Only)	AR	
106	1300019	Chemical, Tire Sealant (Green) (with Sealant Only)	AR	
107	1120552	Cap, Valve Stem (Green) (with Sealant Only)	AR	
	0256196	WHEEL COVER INSTALLATION (OPTIONAL) (NOT SHOWN)	Ref	2/-
201	1670776	Cover, Wheel	4	
202	0641550	Bolt 5/16in - 18NC x 6-1/4in	20	
203	0100011	Compound, Locking	AR	

SECTION 1 FRAME

FIGURE 1-5. DRIVE HUB ASSEMBLY (PRIOR TO SN 0300064395)



SECTION 1 FRAME

FIGURE 1-5. DRIVE HUB ASSEMBLY (PRIOR TO SN 0300064395)

FIG & ITEM #	PART NUMBER	DESCRIPTION	QTY.	REV.
	2780114	DRIVE HUB ASSEMBLY (2WD) (43:1 RATIO)	Ref	A
	2780136	DRIVE HUB ASSEMBLY (4WD) (53.58:1 RATIO)	Ref	A
1 to 9	Not Used			
10		Hub Spindle Assemblies	Ref	
		Spindle Options:	1	
	7001937	2780114 Hub		
	7007644	2780136 Hub		
11	See Note	Seal (Note: Use Item 200 or 201A)	1	
12	7000272	Cup, Bearing	1	
13	7000273	Cone, Bearing	1	
14	7000274	Cup, Bearing	1	
15	7000275	Cone, Bearing	1	
16	7000276	Hub	1	
17	See Note	Spacer (Note: Use Item 200 or 201A)	1	
18	See Note	Ring, Retaining (Note: Use Item 200 or 201A)	1	
19	7001928	Plug, Pipe	2	
20	7000265	Stud, Wheel	10	
21	7001917	Internal Gear	1	
		Carrier Assembly Options:	Ref	
	7001918	2780114 Hub	Ref	
	7007694	2780136 Hub	Ref	
31	7001900	Carrier	1	
32	Use 7001927	Thrustwasher	6	
33	7001902	Roller, Needle	84	
34	Use 7001927	Spacer	3	
35	7001904	Shaft, Pinion	3	
36		Gear, Cluster Options:	3	
	7010465	2780114 Hub		
	Use 7001927	2780136 Hub		
37	7001906	Rollpin	3	
38	Use 7001927	Thrustwasher	6	
39 to 40	Not Used			
41	7000279	Ring, Gear	1	
42 to 50	Not Used			
51	See Note	O-Ring (Note: Use Item 200 or 201A)	2	
52 to 60	Not Used			
	7000280	Cover Assembly	Ref	
61	7000218	Cover	1	
62	Use 2900138	Cap, Cover	1	
63	7000220	Bolt 1/4in-20NC x 3/4in	4	
64	Use 2900138	Cap, Disconnect	1	
65	Use 2900138	Rod, Disconnect	1	
66	Use 2900138	O-Ring	1	
67	Use 2900138	O-Ring	1	
68	7000243	Plug	1	
69 to 70	Not Used			
71	7000282	Washer	2	

SECTION 1 FRAME

FIGURE 1-5. DRIVE HUB ASSEMBLY (PRIOR TO SN 0300064395)

FIG & ITEM #	PART NUMBER	DESCRIPTION	QTY.	REV.
72 to 80	Not Used			
81	7000283	Spring	1	
82 to 90	Not Used			
91	7000284	Ring, Retaining	1	
92 to 100	Not Used			
101	7000285	Ring, Retaining	1	
102 to 110	Not Used			
111		Shaft, Input Options:	1	
	7000222	2780114 Hub		
	7007649	2780136 Hub		
112 to 120	Not Used			
121		Thrust Spacer Options:	1	
	7000286	2780114 Hub		
	7000293	2780136 Hub		
122 to 130	Not Used			
131		Gear, Input Options:	1	
	7000221	2780114 Hub		
	7001940	2780136 Hub		
132 to 140	Not Used			
141		Thrust Spacer Options:	1	
	Not Required	2780114 Hub		
	7000295	2780136 Hub		
142 to 150	Not Used			
151	7000287	Thrustwasher	4	
152 to 160	Not Used			
161	7000288	Bearing, Thrust	2	
162 to 170	Not Used			
171	7000289	Bolt 3/8in-16NC x 2-1/2in (Grade 8)	8	
172 to 180	Not Used			
181	7000225	Bolt, Shoulder	4	
182 to 190	Not Used			
191	7000290	Coupling	1	
200	2900202	Seal Kit (Includes Items 11,17,18, & 51)	1	
201		Repair Kits Options:		
201A	2900138	Disconnect & Seal Kit (Includes Items 11,17,18,51,62 & 64-67)	1	
201B	7001927	Cluster Gear Kit (Includes Items 32, 34, 36, 37 & 38)	1	

SECTION 1 FRAME

FIGURE 1-5. DRIVE HUB ASSEMBLY (PRIOR TO SN 0300064395)

FIG & ITEM #	PART NUMBER	DESCRIPTION	QTY.	REV.

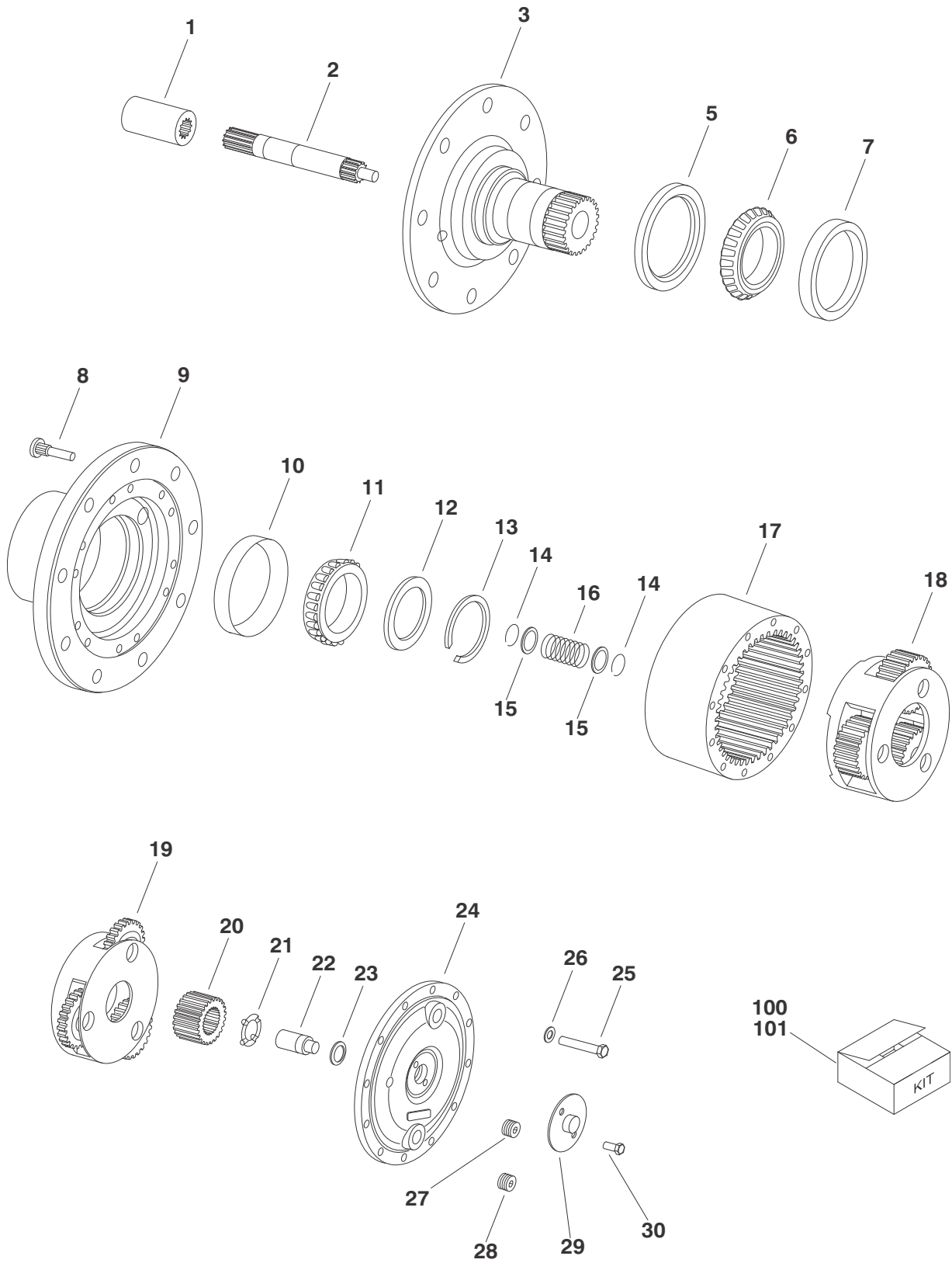
**S
E
C
T
I
O
N

1

F
R
A
M
E**

SECTION 1 FRAME

FIGURE 1-6. DRIVE HUB ASSEMBLY (SN 0300064395 TO SN 0300068000)



SECTION 1 FRAME

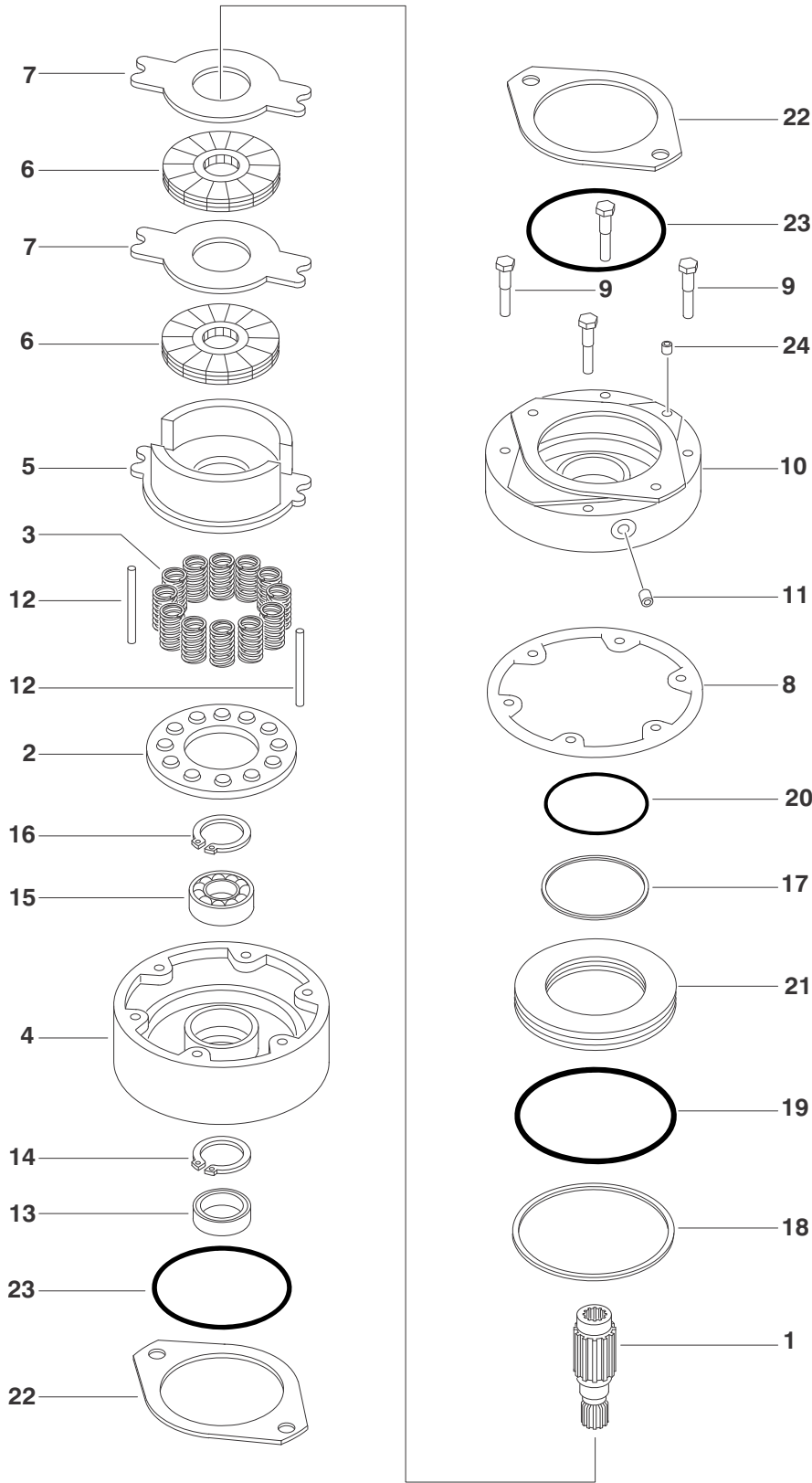
FIGURE 1-6. DRIVE HUB ASSEMBLY (SN 0300064395 TO SN 0300068000)

FIG & ITEM #	PART NUMBER	DESCRIPTION	QTY.	REV.
	2780261	DRIVE HUB ASSEMBLY	Ref	A
1	7014700	Coupling - 13 Teeth	1	
2	7014701	Shaft, Input - 13 Teeth	1	
3	7014731	Spindle	1	
4	Not Used			
5	7014703	Seal, Oil	1	
6	7014704	Cone, Bearing	1	
7	7014705	Cup, Bearing	1	
8	7014737	Bolt, Wheel	10	
9	7014734	Hub	1	
10	7014707	Cup, Bearing	1	
11	7014708	Cone, Bearing	1	
12	7001711	Thrustwasher	1	
13	7014709	Ring, Retaining Kit (Kit Includes Qty 6 Retaining Rings)	1	
14	7014711	Ring, Retaining	2	
15	7014712	Thrustwasher	2	
16	7014710	Spring	1	
17	7014732	Gear, Ring	1	
18	7014736	Secondary Carrier Assembly	1	
19	7014735	Primary Carrier Assembly	1	
20	7014733	Gear, Sun - 15 Teeth	1	
21	7014722	Thrustwasher	1	
22	7014717	Plunger, Disengage	1	
23	7014718	O -Ring	1	
24	7014719	Cover, Hub	1	
25	7014721	Bolt	12	
26	7014720	Flatwasher	12	
27	7014725	Plug, Magnetic	1	
28	7014726	Plug, Pipe	1	
29	7014723	Cover, Disengage	1	
30	7014724	Bolt	2	

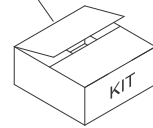
100	7014730	Seal Kit (Includes Items 5 & 13)	1	
101	7014729	Bearing and Seal Kit (Includes Items 5, 6, 7, 10, 11 & 13)	1	

SECTION 1 FRAME

FIGURE 1-7. DRIVE BRAKE ASSEMBLY



200A
200B
200C
201A
201B
201C
202A
202B



SECTION 1 FRAME

FIGURE 1-7. DRIVE BRAKE ASSEMBLY

FIG & ITEM #	PART NUMBER	DESCRIPTION	QTY.	REV.
		DRIVE BRAKE ASSEMBLY OPTIONS:	Ref	
	0920084	Prior to SN 0300033476	Ref	A
	0920110	SN 0300033476 to SN 0300056536	Ref	B
1	7011712	Shaft	1	
2		Guide, Spring Options:	1	
	7011717	0920084 Brake (Prior to SN 0300033476)		
	7018606	0920110 Brake (SN 0300033476 to SN 0300056536)		
3		Spring Options:	AR	
	7007979	0920084 Brake (Inner) (Prior to SN 0300033476)	6	
	7007980	0920084 Brake (Outer) (Prior to SN 0300033476)	6	
	7007970	0920110 Brake (Red) (SN 0300033476 to SN 0300056536)	6	
	7018602	0920110 Brake (Blue) (SN 0300033476 to SN 0300056536)	3	
4		Housing Options:	1	
	7011713	0920084 Brake (Prior to SN 0300033476)		
	7018605	0920110 Brake (SN 0300033476 to SN 0300056536)		
5		Return Plate & Separator Assembly Options:	AR	
	See Note	Return, Plate - 0920084 Brake (Prior to SN 0300033476) (Note: Use Item 201A or 201B)	1	
	7011715	Separator Assy -0920084 Brake (Prior to SN 0300033476)	2	
	7011714	Pin	4	
	7007983	Separator	2	
	See Note	Return Plate & Separator - 0920110 Brake (SN 0300033476 to SN 0300056536) (Note: Use Item 201A or 201B)	1	
6	See Note	Rotor (Note: Use Item 201A or 201B)	2	
7	See Note	Stator (Note: Use Item 201A or 201B)	2	
8	See Note	Seal, Case (Note: Use Item 200A,200B,201A or 201B)	1	
9		Bolt, Washer Head Options:	4	
	7007985	0920084 Brake (Prior to SN 0300033476)		
	7018607	0920110 Brake (SN 0300033476 to SN 0300056536)		
10	7007986	Cover	1	
11		Hardware Options:	1	
	7000796	Screw, Bleeder (Prior to SN 0300033906)		
	7018609	Plug, Pipe (SN 0300033906 to SN 0300056536)		
12	7007987	Pin, Dowel	2	
13	See Note	Seal, Oil (Note: Use Item 200A or 200B)	1	
14	7011716	Ring, Retaining	1	
15	Use 2900768	Bearing	1	
16	7007977	Ring, Retaining	1	
17	Use 2900766	Ring, Back-Up	1	
18	Use 2900766	Ring, Back-Up	1	
19	Use 2900766	O-Ring	1	
20	Use 2900766	O-Ring	1	
21		Piston Options:	1	
	7007923	0920084 Brake (Prior to SN 0300033476)		
	7018603	0920110 Brake (SN 0300033476 to SN 0300056536)		

SECTION 1 FRAME

FIGURE 1-7. DRIVE BRAKE ASSEMBLY

FIG & ITEM #	PART NUMBER	DESCRIPTION	QTY.	REV.
22	7007933	Gasket	2	
23	See Note	O-Ring (Note: Use Item 200A,200B,201A or 201B)	2	
24	7007924	Plug, Pipe	1	
100		DRIVE BRAKE ASSEMBLY (NOT SHOWN) (SN 0300056536 TO SN 0300068000)	Ref	
	0920117	Drive Brake Assembly (Original Equipment)	Ref	B
	0920119	Drive Brake Assembly (Approved Replacement)	Ref	
	7000731	Gasket (Located Between Hub, Motor & Brake - Not Shown)	2	
		Note: Other than Gasket, Item 202B Repair Kit is the only item available.	Ref	
		KIT OPTIONS	Ref	
200		Seal Kit Options:	AR	
200A	2900766	Seal Kit - 0920084 & 0920110 Brake (Prior to SN 0300056536) (Includes Items 8,13,17,18,19,20,22 & 23)	1	
200B	2900768	Seal Kit - 0920084 & 0920110 Brake (Prior to SN 0300056536) (Includes Items 8,13,15,22 & 23)	1	
200C	Use 7018612	Seal Kit - 0920117 & 0920119 Brake (SN 0300056536 to SN 0300068000)	1	
201		Lining Kit Options:	AR	
201A	2900767	Lining Kit - 0920084 Brake (Prior to SN 0300033476) (Includes Items 5,6,7,8,22 & 23)	1	
201B	7018608	Lining Kit - 0920110 Brake (SN 0300033476 to SN 0300056536) (Includes Items 5,6,7,8,22 & 23)	1	
201C	Use 7018612	Lining Kit - 0920117 & 0920119 Brake (SN 0300056536 to SN 0300068000)	1	
202		Repair Kits	AR	
202A	See Note	Repair Kit - 0920084 & 0920110 Brake (Prior to SN 0300056536) (Note: Not Available for Purchase.)	1	
202B	7018612	Repair Kit - 0920117 & 0920119 Brake (SN 0300056536 to SN 0300068000)	1	

SECTION 1 FRAME

FIGURE 1-7. DRIVE BRAKE ASSEMBLY

FIG & ITEM #	PART NUMBER	DESCRIPTION	QTY.	REV.

**S
E
C
T
I
O
N

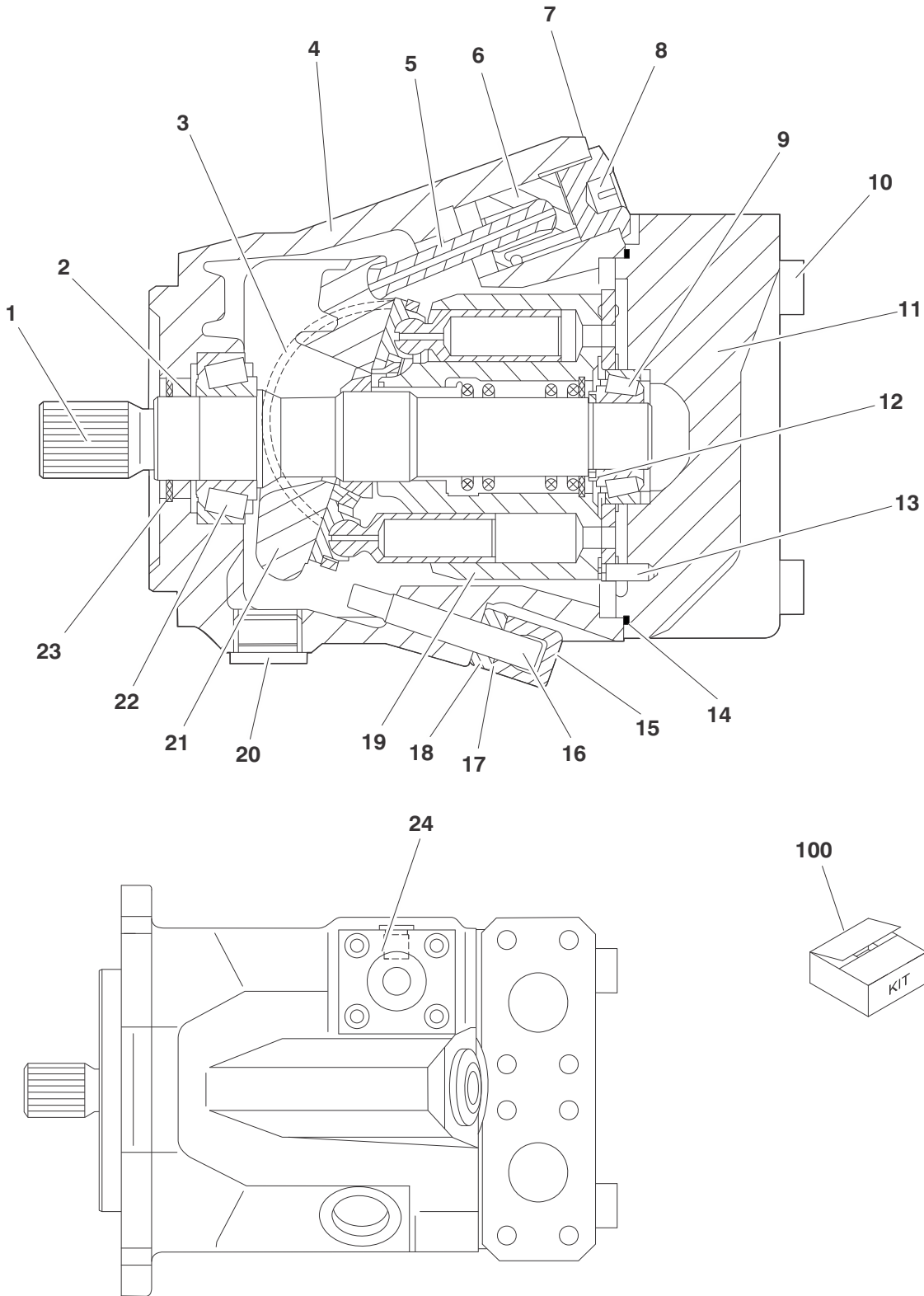
1

F
R
A
M
E**

SECTION 1 FRAME

SECTION
1
FRAME

FIGURE 1-8. DRIVE MOTOR ASSEMBLY - REXROTH



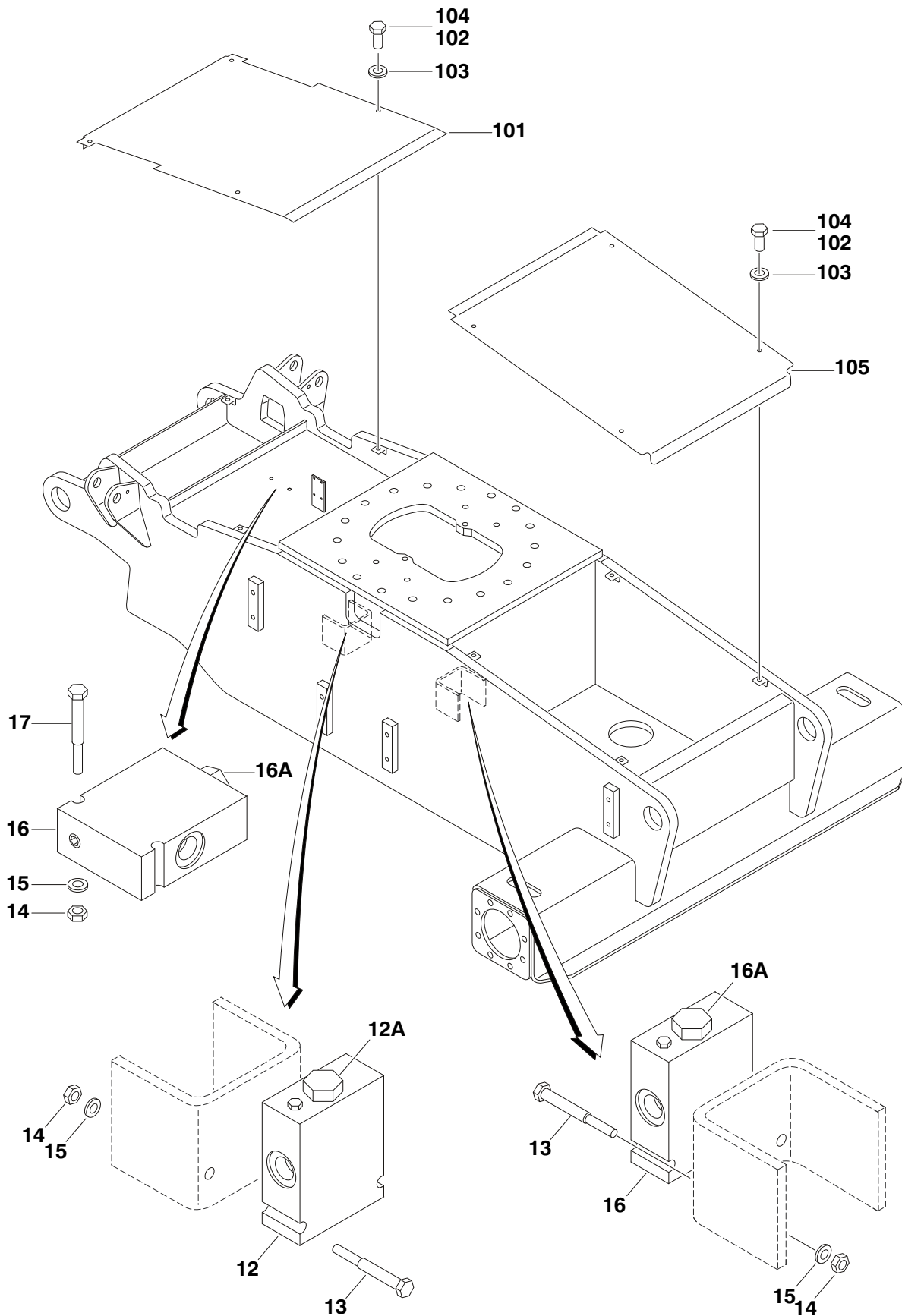
SECTION 1 FRAME

FIGURE 1-8. DRIVE MOTOR ASSEMBLY - REXROTH

FIG & ITEM #	PART NUMBER	DESCRIPTION	QTY.	REV.
	3160204	DRIVE MOTOR ASSEMBLY	Ref	A
1	7012701	Shaft - 13 Teeth	1	
2	Use 2900788	Seal, Shaft	1	
3	7012702	Bearing, Cradle	2	
4	Use 3160204	Housing (Note: Not Available - Purchase Complete Drive Motor Assembly.)	1	
5	7012703	Rod, Piston	1	
6	7012704	Piston, Stroking	1	
7	Use 2900788	O-Ring	1	
8	7012705	Nut, Adapter	1	
9	7012706	Bearing, Roller	1	
10	7012707	Bolt, Metric Socket Head M12 x 65	4	
11	7012708	Block, Port	1	
12	7012709	Shim	1	
13	7012710	Pin, Dowel M6 x 18	1	
14	Use 2900788	O-Ring	1	
15	7012711	Nut, Cap M10 x 1	1	
16	7012712	Screw, Adjusting	1	
17	Use 2900788	O-Ring	2	
18	7012713	Nut, Jam M10 x 1	1	
19	7012716	Rotary Group Assembly (Includes Items 21)	1	
20	See Note	Plug (Note: Not Available - Purchase Locally.)	1	
21	See Note	Plate, Swash (Part of Item 19) (Note: Use Item 19)	1	
22	7012714	Bearing, Roller	1	
23	7012715	V-Ring	1	
24	7012700	Control Plate Assembly (Prior to SN 0300029852)	1	
100	2900788	Seal Kit (Includes Items 2,7,14,17 and O-Rings under Item 24)	1	

SECTION 1 FRAME

FIGURE 1-9. DRIVE VALVES & SHIELDS INSTALLATION (FRAME MOUNTED)



SECTION 1 FRAME

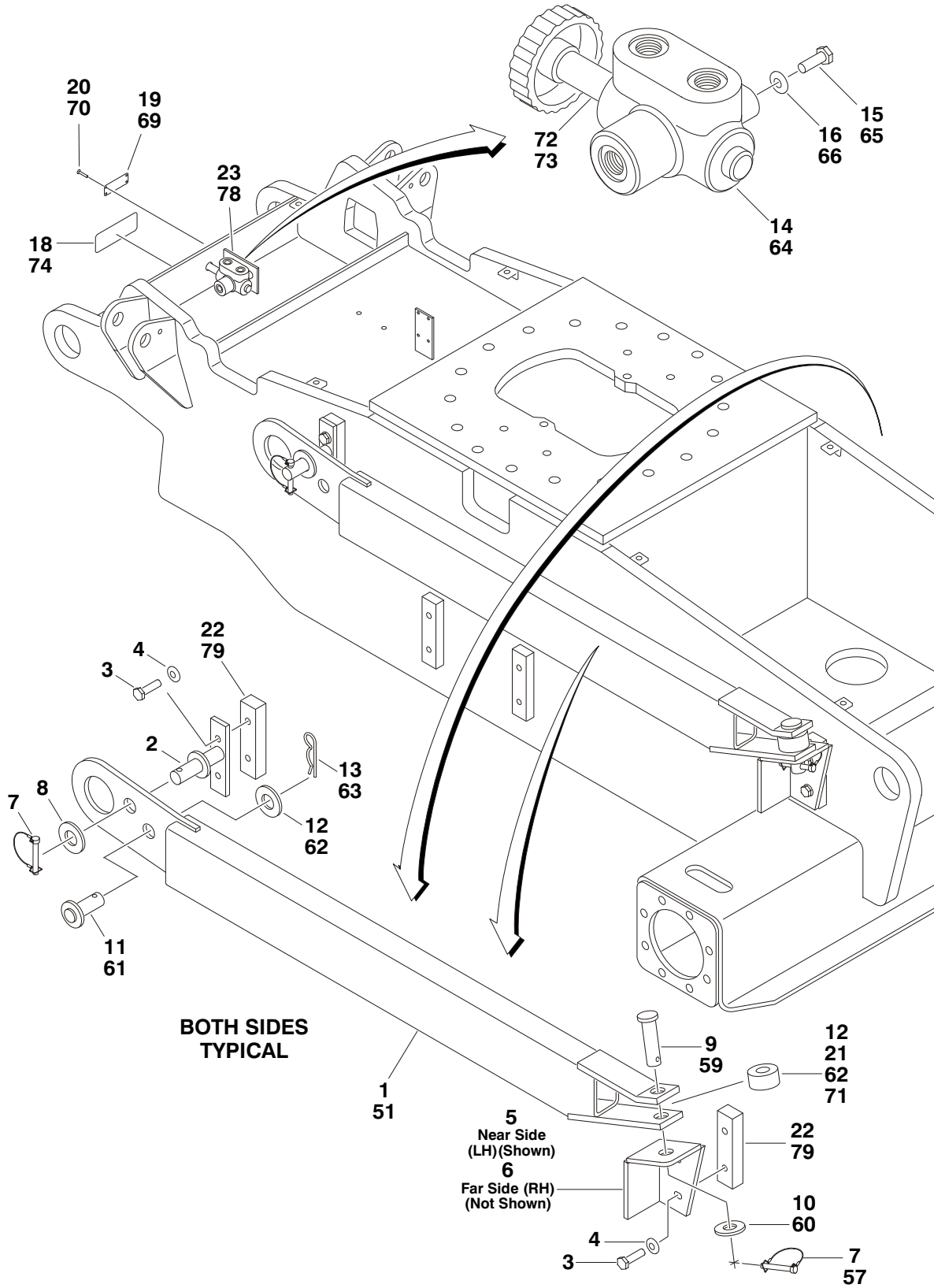
FIGURE 1-9. DRIVE VALVES & SHIELDS INSTALLATION (FRAME MOUNTED)

FIG & ITEM #	PART NUMBER	DESCRIPTION	QTY.	REV.
		DRIVE VALVES INSTALLATION OPTIONS:	Ref	
	0254975	2WD (Prior to SN 0300056536)	Ref	5
	0270121	2WD (SN 0300056536 to SN 0300068000)	Ref	3
	0254976	4WD (Prior to SN 0300056536)	Ref	7
	0270120	4WD (SN 0300056536 to SN 0300068000)	Ref	3
1 to 11	Not Used			
12	4640923	Valve, Flow Divider	1	
12A	7017442	Cartridge, Flow Divider	1	
	7012980	Seal Kit - 7017442 Cartridge	1	
	7012993	Plug, Orifice	1	
13	0641522	Bolt 5/16in-18NC x 2-5/8in	AR	
14	3311505	Locknut 5/16in-18NC	AR	
15	4751500	Flatwasher 5/16in Regular	AR	
16		Flow Divider Valve Assembly Options:	AR	
	Not Required	2WD	0	
	4640937	4WD	2	
16A	7012978	Cartridge (1 Per Valve)	2	
	7012980	Seal Kit - 7012978 Cartridge (1 Per Valve)	2	
	7012994	Plug, Orifice	1	
17	0641520	Bolt 5/16in-18NC x 2-1/2in	AR	
18	4060808	Shield, Flex Trim (Not Shown) (SN 0300067816 to SN 0300068000)	3.5ft/1.06m	
		FRAME SHIELDS INSTALLATION OPTIONS:	Ref	
	0254856	2WS	Ref	—
	0254857	4WS	Ref	—
101	4060870	Shield, Frame - Front	1	
102	0641608	Bolt, 3/8in -16NC x 1in	AR	
103	4751600	Flatwasher, 3/8in Regular	AR	
104	0100011	Compound, Locking	AR	
105		Shield, Frame - Rear	AR	
	Not Required	2WS	0	
	4060874	4WS	1	

SECTION 1 FRAME

FIGURE 1-10. TOW PACKAGE INSTALLATION (OPTIONAL)

SECTION 1 FRAME



SECTION 1 FRAME

FIGURE 1-10. TOW PACKAGE INSTALLATION (OPTIONAL)

FIG & ITEM #	PART NUMBER	DESCRIPTION	QTY.	REV.
		TOW PACKAGE INSTALLATION - 2WS OPTIONS:	Ref	
	0255363	Standard Machines	Ref	6
	0259424	CSA Machines	Ref	1
1	4845281	Tow Bar Weldment	2	
2	4845283	Bracket, Tow Bar Storage (Front)	2	
3	0641608	Bolt 3/8in-16NC x 1in	8	
4	4711600	Flatwasher 3/8in Thin	8	
5	4845282	Bracket, Tow Bar Storage (Rear Left Side)	1	
6	4845286	Bracket, Tow Bar Storage (Rear Right Side)	1	
7	3421453	Snap-Pin	4	
8	4712600	Flatwasher 1in Thin	1	
9	3422552	Pin, Tow Bar	2	
10	4713400	Flatwasher 1-1/2in Thin	2	
11	3422553	Pin, Tow Bar	1	
12	4713000	Flatwasher 1-1/4in Thin	2	
13	3420592	Hairpin	2	
14	4640261	Valve, Tow	1	
15	0641505	Bolt 5/16in-18NC x 5/8in	2	
16	4711500	Flatwasher 5/16in Thin	2	
17	Not Used			
18		Decal Options:	1	
	1702968	Standard Machines		
	1704273	CSA Machines		
19		Nameplate Options:	1	
	3250872	Standard Machines		
	1704272	CSA Machines		
20		Rivet Options:	4	
	3820001	Standard Machines		
	Not Required	CSA Machines		
21	4566971	Spacer, Tube	2	
22	0362519	Bar, Tow Clamp (SN 0300039820 to SN 0300068000)	4	
23	3539662	Plate, Valve Mount (SN 0300039820 to SN 0300068000)	1	
		TOW PACKAGE INSTALLATION - 4WS (OPTIONAL)	Ref	
	0258886	Standard Machines	Ref	3/B
	0259425	CSA Machines	Ref	1/A
51	4845281	Tow Bar Weldment	2	
52 to 56	Not Required			
57	3421453	Snap-Pin	2	
58	Not Required			
59	3422552	Pin, Tow Bar	2	
60	4713400	Flatwasher 1-1/4in Thin	2	
61	3422553	Pin, Tow Bar	1	
62	4713000	Flatwasher 1-1/4in Thin	2	
63	3420592	Hairpin	1	
64	4640261	Valve, Tow	1	

SECTION 1 FRAME

FIGURE 1-10. TOW PACKAGE INSTALLATION (OPTIONAL) (CONTINUED)

FIG & ITEM #	PART NUMBER	DESCRIPTION	QTY.	REV.
65	0641505	Bolt 5/16in-18NC x 5/8in	2	
66	4711500	Flatwasher 5/16in Thin	2	
67	Not Used			
68	Not Required			
69		Nameplate Options:	1	
	3250872	Standard Machines		
	1704272	CSA Machines		
70		Rivet Options:	4	
	3820001	Standard Machines		
	Not Required	CSA Machines		
71		Spacer, Tube Options:	2	
	4567172	Prior to SN 0300042668		
	4566971	SN 0300042668 to SN 0300068000		
72		Rod, Extension Options:	1	
	3841329	Standard Machines		
	3841322	CSA Machines		
73	4761600	Lockwasher 5/16in	1	
74		Decal Options:	1	
	1703403	Standard Machines		
	1704276	CSA Machines		
75	1703404	Decal, Match Arrow (Not Shown)	2	
76	1703444	Decal (Not Shown)	1	
77		Decal (Not Shown) Options:	1	
	1703450	Standard Machines		
	1704274	CSA Machines		
78	3539662	Plate, Valve Mount	1	
79	0362519	Bar (Standard Machines) (SN 0300046459 to SN 0300068000)	4	

SECTION 1 FRAME

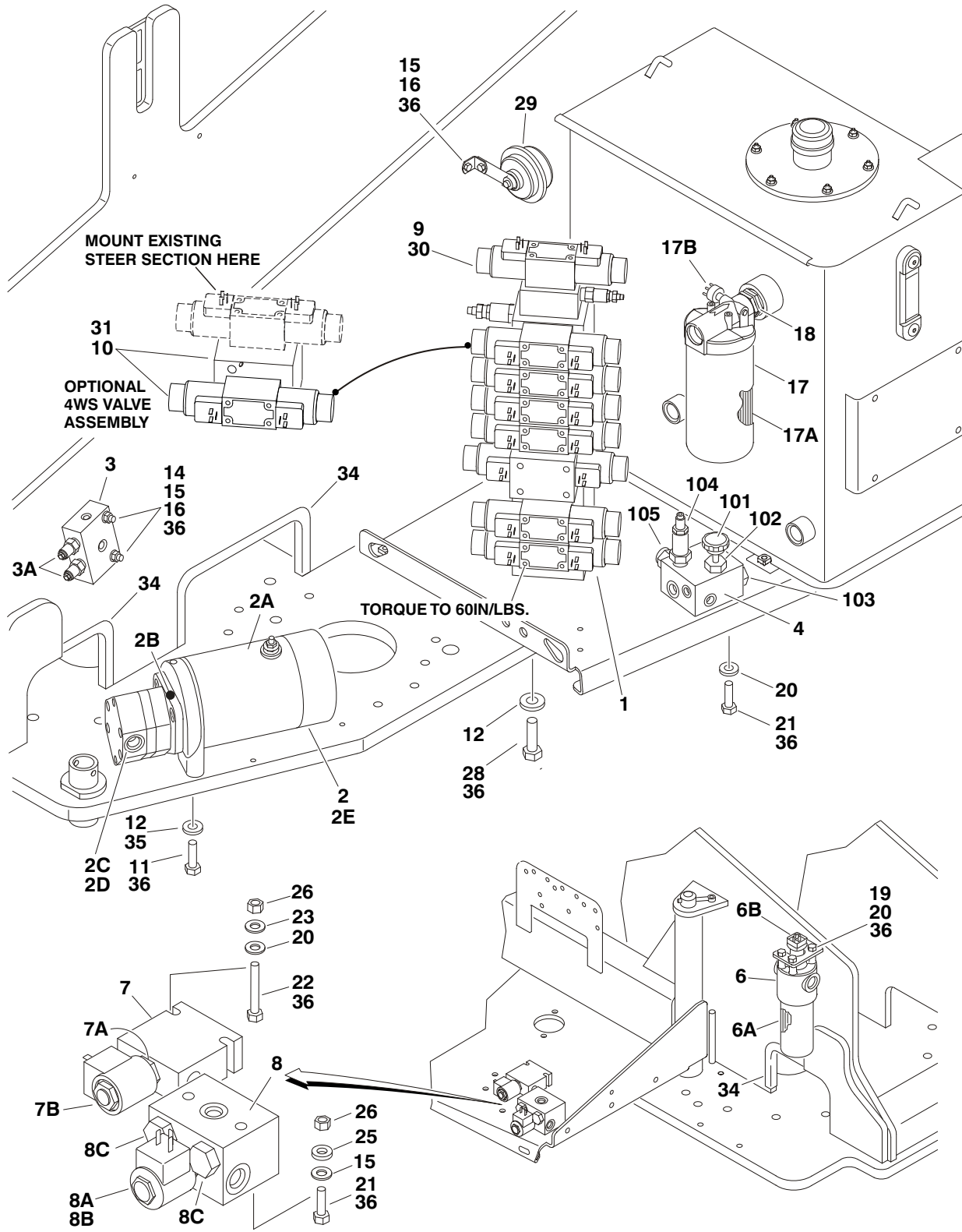
SECTION 2 TURNTABLE

TABLE OF CONTENTS		
FIGURE	DESCRIPTION	PAGE
2-1	CONTROL VALVES INSTALLATIONS	2-2
2-2	MAIN CONTROL VALVE ASSEMBLY	2-6
2-3	ACCESSORY VALVE ASSEMBLY	2-10
2-4	SWING DRIVE, TURNTABLE BEARING & LOCK INSTALLATIONS	2-12
2-5	SWING HUB ASSEMBLY	2-16
2-6	SWING BRAKE ASSEMBLY	2-18
2-7	SWING MOTOR ASSEMBLIES	2-22
2-8	CONTINENTAL ENGINE INSTALLATION	2-26
2-9	GENERATOR INSTALLATION (CONTINENTAL ENGINE) (OPTIONAL)	2-32
2-10	DEUTZ ENGINE INSTALLATION (PRIOR TO SN 0300030041)	2-36
2-11	DEUTZ ENGINE INSTALLATION WITH NOISE REDUCTION (SN 0300030041 TO SN 0300068000)	2-42
2-12	GENERATOR INSTALLATION - DEUTZ MACHINES (OPTIONAL)	2-52
2-13	FORD ENGINE INSTALLATIONS - LRG-423 (PRIOR TO SN 0300037117)	2-56
2-14	FORD ENGINE INSTALLATIONS - LRG-425 WITH CARBURETOR (SN 0300037117 TO SN 0300068000)	2-64
2-15	FORD ENGINE INSTALLATIONS - LRG-425 WITH EFI (SN 0300048907 TO SN 0300068000)	2-72
2-16	DUAL FUEL INSTALLATIONS (FORD MACHINE WITH CARBURETOR OPTION)	2-80
2-17	DUAL FUEL INSTALLATIONS (FORD MACHINE WITH EFI OPTION) (SN 0300048907 TO SN 0300068000)	2-82
2-18	GENERATOR INSTALLATION - FORD MACHINES (OPTIONAL)	2-84
2-19	ISUZU ENGINE INSTALLATIONS - 4JB1 (SN 0300057373 TO SN 0300068000)	2-88
2-20	PISTON PUMP ASSEMBLY	2-92
2-21	GEAR PUMP ASSEMBLY	2-98
2-22	TANK INSTALLATIONS	2-100
2-23	ROTARY COUPLING INSTALLATION	2-104
2-24	GROUND CONTROL BOX ASSEMBLY (PRIOR TO SN 0300061927)	2-106
2-25	GROUND CONTROL BOX ASSEMBLY (ADE SYSTEM) (SN 0300061927 TO SN 0300068000)	2-112
2-26	ELECTRICAL OPTIONS INSTALLATION (TURNTABLE MOUNTED)	2-116
2-27	ENGINE TRAY JACK INSTALLATION (OPTIONAL)	2-120
2-28	HOODS & LIFTING PLATE INSTALLATIONS - WITHOUT NOISE REDUCTION (PRIOR TO SN 0300027943)	2-122
2-29	HOODS & LIFTING PLATE INSTALLATIONS - WITHOUT NOISE REDUCTION (SN 0300027943 TO SN 0300068000)	2-126

SECTION 2 TURNTABLE

FIGURE 2-1. CONTROL VALVES INSTALLATIONS

SECTION 2 TURNTABLE



SECTION 2 TURNTABLE

FIGURE 2-1. CONTROL VALVES INSTALLATIONS

FIG & ITEM #	PART NUMBER	DESCRIPTION	QTY.	REV.
		VALVES INSTALLATIONS	Ref	
	0255315	600S (2WS)	Ref	10
	0255446	600S (4WS)	Ref	9
	0255445	600SJ (2WS) & 660SJ (2WS)	Ref	11
	0255447	600SJ (4WS) & 660SJ (4WS)	Ref	9
1		Main Control Valve Assembly Options (See MAIN CONTROL VALVE ASSEMBLY for Breakdown):	1	
	Use 4641096	Prior to SN 0300041265 (was p/n 4640919)		
	4641096	SN 0300041265 to SN 0300068000		
2	3600243	Auxiliary Pump Assembly	1	
2A	7013755	Replacement Motor	1	
	7013799	Brush Kit - 7013755	1	
2B	7013711	Coupling	1	
2C	7013796	Replacement Pump	1	
	See Note	Seal Kit (Note: Not Available - Purchase Individual Pieces.)	1	
	7016700	Seal, Oil	1	
	7016701	O-Ring	1	
	7016702	O-Ring	1	
2D	7022203	Bolt (Pump to Bracket)	4	
2E	7016744	Bolt (Motor to Bracket)	2	
3	4640908	Counterbalance Valve Assembly	1	
3A	7011328	Cartridge, Counterbalance	2	
	2900770	Seal, Kit - 7011328 Cartridge	2	
4	4640931	Manual Descent Valve Assembly (See Items 101-105 for Breakdown)	1	
5	Not Used			
6	2120146	Hydraulic Pressure Filter Assembly	1	
6A	2120150	Element, Filter	1	
6B	7016312	Indicator, Clogged	1	
7	4640907	Valve Assembly (Brake)	1	
7A	7012941	Cartridge without Coil	1	
	7012907	Seal Kit - 7012941 Cartridge	1	
7B	7012944	Coil	1	
8	4640906	Valve Assembly (Two Speed)	1	
8A	7012974	Cartridge with Coil	1	
	7012907	Seal Kit - 7012974 Cartridge	1	
8B	7012944	Coil	1	
8C	See Note	Cartridge, Check (Note: Not Available for Purchase.)	2	
	7012972	Seal Kit	1	
9		Valve Kit (Articulating Jib) Options:	AR	
	Not Required	600S	0	
	4640921	600SJ & 660SJ (See ACCESSORY VALVE ASSEMBLY for Breakdown)	1	
10		Valve Kit (4WS) Options:	AR	
	Not Required	Without (4WS)	0	
	4640922	With (4WS)	1	
	7012774	Control Valve Assembly	1	

SECTION 2 TURNTABLE

SECTION 2 TURNTABLE

FIGURE 2-1. CONTROL VALVES INSTALLATIONS (CONTINUED)

SECTION 2 TURNTABLE

FIG & ITEM #	PART NUMBER	DESCRIPTION	QTY.	REV.
10 (cont'd)	7018912	Nut, Coil	2	
	7012772	Coil	2	
	7024014	Pipe, Pole	2	
	7012773	Seal Kit - 7012774 Control Valve	1	
	7017420	Valve, Cartridge	2	
	7012998	Seal Kit - 7017420 Cartridge	2	
	11	0641613	Bolt 3/8in-16NC x 1-5/8in	2
12	4711600	Flatwasher 3/8in Thin	5	
13	Not Used			
14	4891800	Flatwasher 1/2in Hardened	2	
15	4711500	Flatwasher 5/16in Thin	5	
16	3311501	Nut 5/16in-18NC	3	
17	2120145	Return Filter Assembly	1	
17A	2120149	Element, Filter	1	
17B	7016313	Indicator Switch, Clogged	1	
18	2220893	Fitting, Adapter	1	
19	0651406	Bolt 1/4in-28NF x 3/4in	4	
20	4711400	Flatwasher 1/4in Thin	11	
21	0651406	Bolt 1/4in-28NF x 3/4in	3	
22	0641416	Bolt 1/4in-20NC x 2in	2	
23	4891400	Flatwasher 1/4in Hardened	4	
24	0641508	Bolt 5/16in-18NC x 1in	2	
25	4891500	Flatwasher 5/16in Hardened	2	
26	3311405	Locknut 1/4in-20NC	2	
27	Not Used			
28	0641608	Bolt 3/8in-16NC x 1in	3	
29	0140001	Horn	1	
30		Harness Assembly (Jib Control) Options (Not Shown - See ELECTRICAL SECTION for Breakdown):	AR	
	Not Required	600S	0	
	4921771	600SJ & 660SJ (Prior to SN 0300035129)	1	
	4921927	600SJ & 660SJ (SN 0300035129 to SN 0300068000)	1	
31		Harness Assembly (4WS Control) Options: (Not Shown - See ELECTRICAL SECTION for Breakdown):	AR	
	Not Required	Without (4WS)	0	
	4921772	With (4WS) (Prior to SN 0300035129)	1	
	4921928	With (4WS) (SN 0300035129 to SN 0300068000)	1	
32	Not Used			
33	Not Used			
34	4060918	Flex-trim	40in/10m	
35	4891600	Flatwasher 3/8in Hardened (Prior to SN 0300038808)	4	
36	0100011	Compound, Locking	AR	
	4640931	MANUAL DESCENT VALVE ASSEMBLY	Ref	
101	7012961	Knob	1	
102	7012954	Cartridge, Needle Valve	1	
	7012953	Seal Kit - 7012954 Valve	1	

SECTION 2 TURNTABLE

FIGURE 2-1. CONTROL VALVES INSTALLATIONS (CONTINUED)

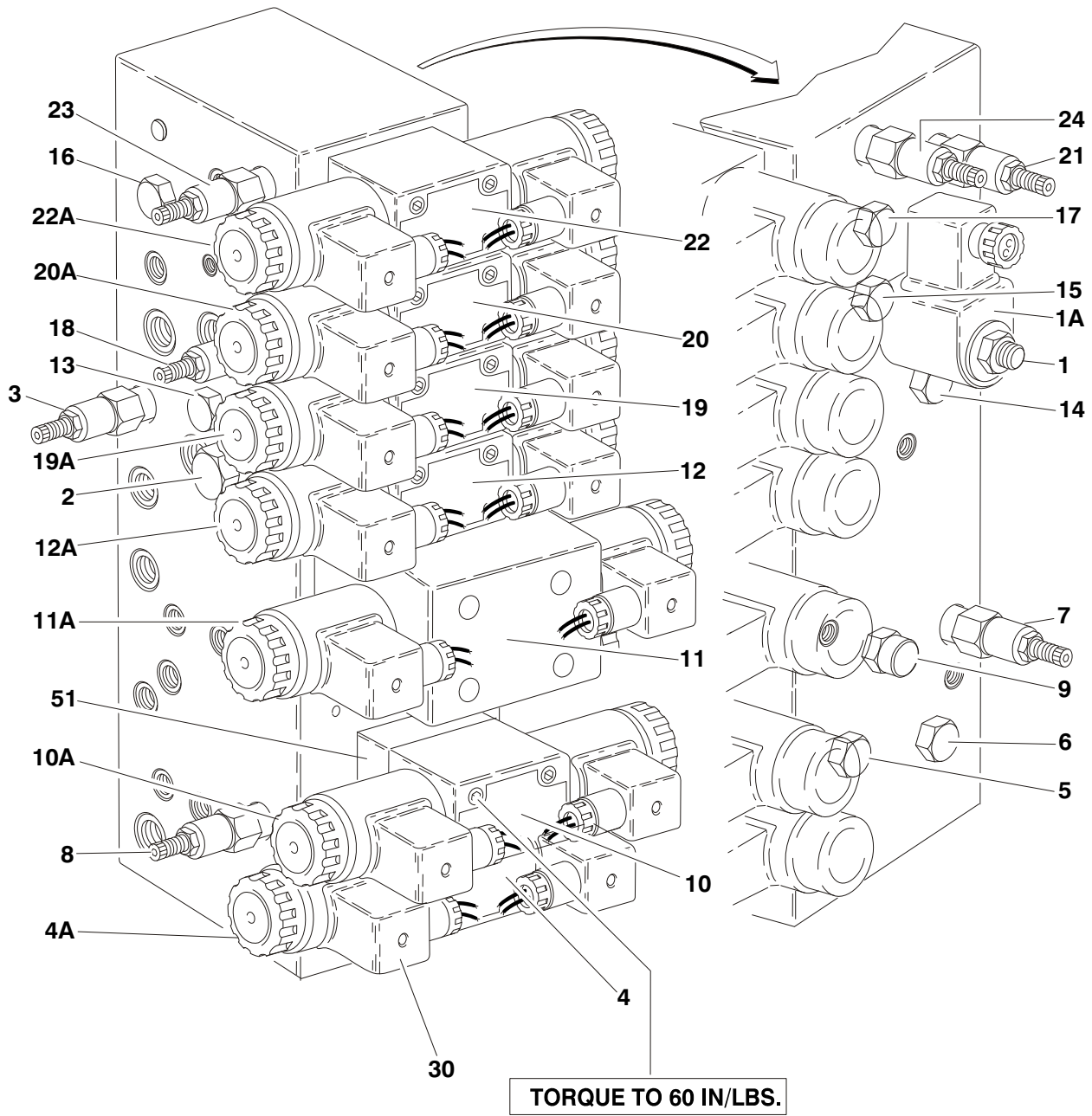
FIG & ITEM #	PART NUMBER	DESCRIPTION	QTY.	REV.
103	7012975	Cartridge, Check Valve	1	
	7012540	Seal Kit - 7012975 Valve	1	
104	7012976	Cartridge, Relief Valve	1	
	7012971	Seal Kit - 7012971 Valve	1	
105	7012977	Cartridge, Pilot Valve	1	
	7012918	Seal Kit - 7012977 Valve	1	

SECTION 2 TURNTABLE

SECTION 2 TURNTABLE

FIGURE 2-2. MAIN CONTROL VALVE ASSEMBLY

SECTION 2 TURNTABLE



SECTION 2 TURNTABLE

FIGURE 2-2. MAIN CONTROL VALVE ASSEMBLY

FIG & ITEM #	PART NUMBER	DESCRIPTION	QTY.	REV.
		MAIN CONTROL VALVE ASSEMBLY	Ref	
	4640919	Prior to SN 0300041265	Ref	C
	4641096	SN 0300041265 to SN 0300068000	Ref	A
1	7017410	Cartridge, Without Coil	1	
	7012967	Seal Kit - 7017410 Cartridge	1	
1A	7012944	Coil	1	
2	7017411	Cartridge, Pressure Sensing (Use with Valve p/n 4640919)	1	
	7012518	Seal Kit	1	
	7017464	Cartridge, Pressure Sensing (Use with Valve p/n 4641096)	1	
	7012518	Seal Kit	1	
3	7017418	Cartridge (Main Relief) (Use with Valve p/n 4640919)	1	
	7012998	Seal Kit	1	
	7012912	Cartridge (Main Relief) (Use with Valve p/n 4641096)	1	
	7012998	Seal Kit	1	
4	Use 70001976	Control Valve Assembly (Platform Level) (was p/n 7012770)	1	
	7012773	Seal Kit	1	
4A	7012772	Coil	2	
5	7012914	Cartridge, Check Valve	1	
	7012918	Seal Kit - 7012914 Cartridge	1	
6	7012914	Cartridge, Check Valve	1	
	7012918	Seal Kit - 7012914 Cartridge	1	
7	7017428	Cartridge, Relief Valve (Use with Valve p/n 4640919)	1	
	7012998	Seal Kit - 7017428 Cartridge	1	
	7012912	Cartridge, Relief Valve (Use with Valve p/n 4641096)	1	
	7012998	Seal Kit - 7012912 Cartridge	1	
8	7017427	Cartridge, Relief Valve (Use with Valve p/n 4640919)	1	
	7010541	Seal Kit - 7017427 Cartridge	1	
	7012912	Cartridge, Relief Valve (Use with Valve p/n 4641096)	1	
	7012998	Seal Kit - 7012912 Cartridge	1	
9	7012989	Cartridge, Flow Control	1	
	7012953	Seal Kit - 7012989 Cartridge	1	
10	Use 70001976	Control Valve Assembly (Platform Rotate) (was p/n 7012770)	1	
	7012773	Seal Kit	1	
10A	7012772	Coil	2	
11	Use 70000579	Control Valve Assembly (Upper Tele) (was p/n 7012766)	1	
		Note: Refer to Vendor P/N on Valve Nameplate before ordering Parts. P/N 7012766 is RR00567495 or R900567495. P/N 70000579 is R900930080.	Ref	
		Seal Kit Options:	1	
	7012769	7012766 Valve		
	70000583	70000579 Valve		
11A		Coil Options:	1	
	7012772	7012766 Valve (was p/n 7012768)		
	70000582	70000579 Valve		
		Nut, Coil Options:	1	
	7018912	7012766 Valve		
	70000580	70000579 Valve		

SECTION 2 TURNTABLE

SECTION 2 TURNTABLE

FIGURE 2-2. MAIN CONTROL VALVE ASSEMBLY (CONTINUED)

SECTION 2 TURNTABLE

FIG & ITEM #	PART NUMBER	DESCRIPTION	QTY.	REV.
12	7012775	Control Valve Assembly (Flow Control)	1	
	7012773	Seal Kit	1	
12A	7012772	Coil	2	
	7018912	Nut	2	
	7024015	Pipe, Pole	2	
13	7010542	Cartridge, Shuttle	1	
	7010543	Seal Kit - 7010542 Cartridge	1	
14	7010542	Cartridge, Shuttle	1	
	7010543	Seal Kit - 7010542 Cartridge	1	
15	7010542	Cartridge, Shuttle	1	
	7010543	Seal Kit - 7010542 Cartridge	1	
16	7010542	Cartridge, Shuttle	1	
	7010543	Seal Kit - 7010542 Cartridge	1	
17	7010542	Cartridge, Shuttle	1	
	7010543	Seal Kit - 7010542 Cartridge	1	
18	7017420	Cartridge, Relief Valve (Use with Valve p/n 4640919)	1	
	7012998	Seal Kit - 7017420 Cartridge	1	
	7012912	Cartridge, Relief Valve (Use with Valve p/n 4641096)	1	
	7012998	Seal Kit - 7012912 Cartridge	1	
19	7012775	Control Valve Assembly (Upper Lift)	1	
	7012773	Seal Kit	1	
19A	7012772	Coil	2	
	7018912	Nut	2	
	7024015	Pipe, Pole	2	
20	7012775	Control Valve Assembly (Swing)	1	
	7012773	Seal Kit	1	
20A	7012772	Coil	2	
	7018912	Nut	2	
	7024015	Pipe, Pole	2	
21	7017423	Cartridge, Relief Valve (Use with Valve p/n 4640919)	1	
	7012998	Seal Kit - 7017423 Cartridge	1	
	7012912	Cartridge, Relief Valve (Use with Valve p/n 4641096)	1	
	7012998	Seal Kit - 7012912Cartridge	1	
22	7012774	Control Valve Assembly (Steer)	1	
	7012773	Seal Kit	1	
22A	7012772	Coil	2	
	7018912	Nut	2	
	7024014	Pipe, Pole	2	
23	7017428	Cartridge, Relief Valve (Use with Valve p/n 4640919)	1	
	7012998	Seal Kit - 7017428 Cartridge	1	
	7012912	Cartridge, Relief Valve (Use with Valve p/n 4641096)	1	
	7012998	Seal Kit - 7012912Cartridge	1	
24	7017428	Cartridge, Relief Valve (Use with Valve p/n 4640919)	1	
	7012998	Seal Kit - 7017428 Cartridge	1	
	7012912	Cartridge, Relief Valve (Use with Valve p/n 4641096)	1	
	7012998	Seal Kit - 7012912Cartridge	1	
25 to 29	Not Used			
30	4460499	Connector, Din with Diode (Part of Valve Harness)	15	

SECTION 2 TURNTABLE

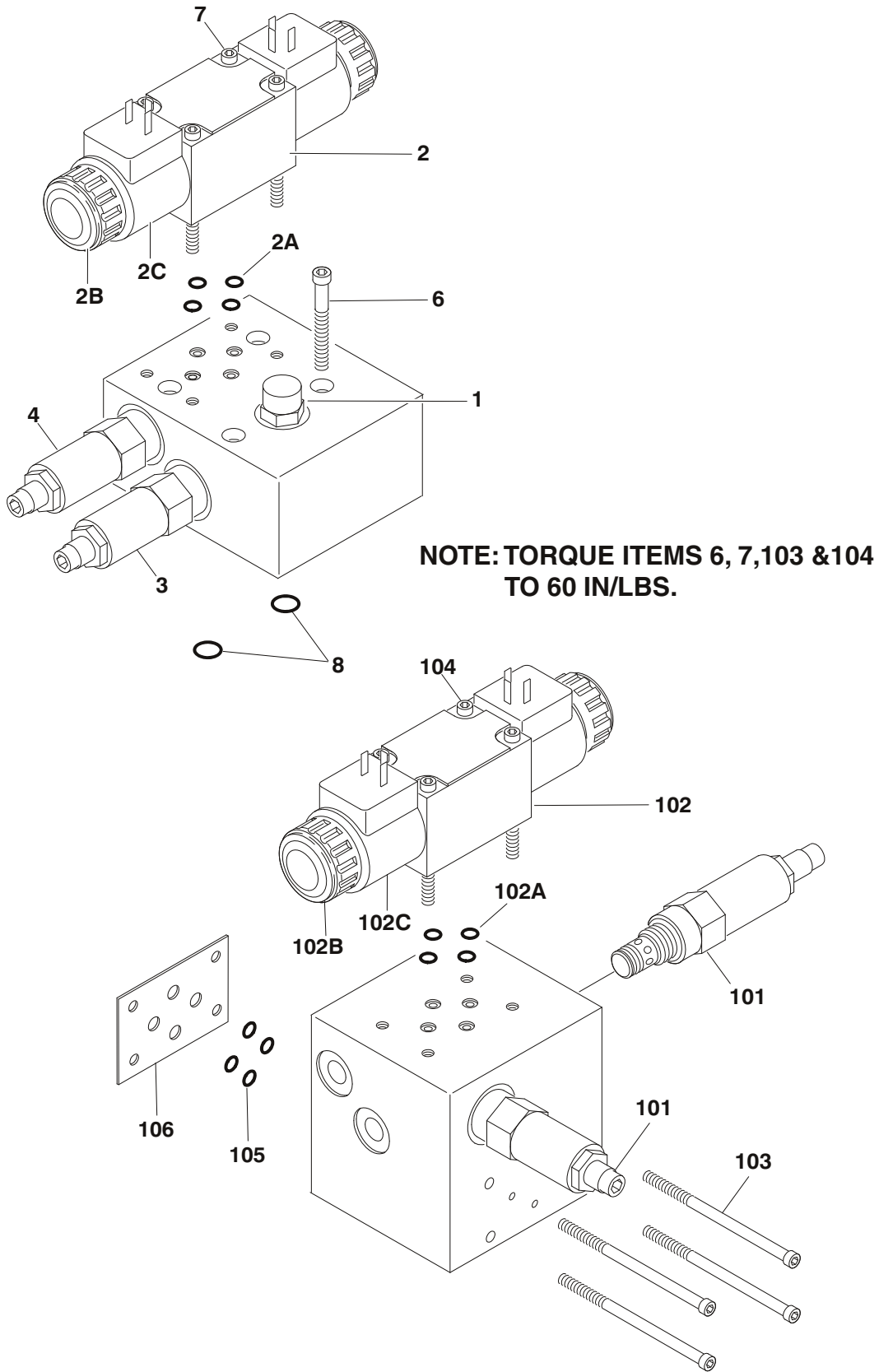
FIGURE 2-2. MAIN CONTROL VALVE ASSEMBLY (CONTINUED)

FIG & ITEM #	PART NUMBER	DESCRIPTION	QTY.	REV.
51	2901763	ROTATE SANDWICH VALVE KIT	Ref	A
	7021310	Block, Valve	1	

SECTION 2 TURNTABLE

SECTION 2 TURNTABLE

FIGURE 2-3. ACCESSORY VALVE ASSEMBLY



SECTION 2 TURNTABLE

FIGURE 2-3. ACCESSORY VALVE ASSEMBLY

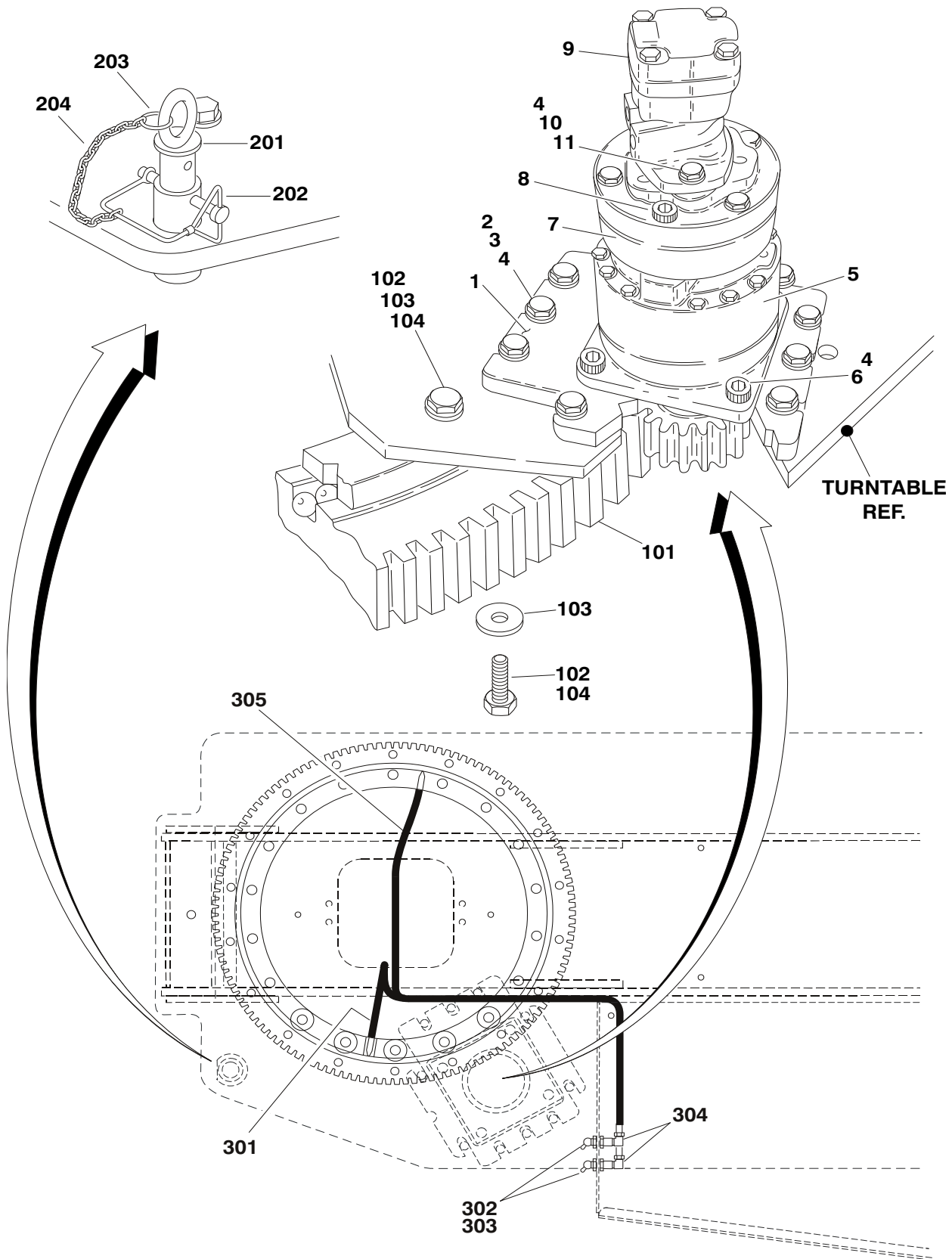
FIG & ITEM #	PART NUMBER	DESCRIPTION	QTY.	REV.
		ACCESSORY VALVE ASSEMBLIES	Ref	
	4640921	ARTICULATING JIB VALVE ASSEMBLY	Ref	D
1	7012965	Cartridge, Flow Control	1	
	7012953	Seal Kit - 7012965 Cartridge	1	
2	Use 70001976	Directional Control Valve Assembly (was p/n 7012770)	1	
	7012773	Seal Kit	1	
2A	7018945	O-Ring	4	
2B	7018912	Nut	2	
2C	7012772	Coil	2	
3	7017421	Cartridge, Relief	1	
	7012998	Seal Kit - 7017421 Cartridge	1	
4	7017422	Cartridge, Relief	1	
	7012998	Seal Kit - 7017422 Cartridge	1	
5	4460499	Connector, DIN with Diode (Not Shown - Part of Valve Harness)	2	
6	7012777	Capscrew, Socket Head 5/16in-18NC x 2-1/4in (Used to Mount Valve Assembly)	4	
7	7018942	Capscrew, Socket Head #10-24NC x 2in	4	
8	7012776	O-Ring (Used to Mount Main Valve)	2	
	4640922	4WS VALVE ASSEMBLY	Ref	B
101	7017420	Cartridge, Relief	1	
	7012998	Seal Kit - 7017420 Cartridge	1	
102	7012774	Directional Control Valve Assembly	1	
	7012773	Seal Kit	1	
102A	7018945	O-Ring	4	
102B	7018912	Nut	2	
102C	7012772	Coil	2	
103	7018946	Capscrew, Socket Head #10-24NC x 5in (Used to Mount Main Valve)	4	
104	7018942	Capscrew, Socket Head #10-24NC x 2in	4	
105	7018948	O-Ring (Used to Mount Main Valve)	4	
106	7018947	Plate, O-Ring	1	

SECTION 2 TURNTABLE

SECTION 2 TURNTABLE

FIGURE 2-4. SWING DRIVE, TURNTABLE BEARING & LOCK INSTALLATIONS

SECTION 2 TURNTABLE



SECTION 2 TURNTABLE

FIGURE 2-4. SWING DRIVE, TURNTABLE BEARING & LOCK INSTALLATIONS

FIG & ITEM #	PART NUMBER	DESCRIPTION	QTY.	REV.
		SWING DRIVE INSTALLATIONS	Ref	
	0255025	Prior to SN 0300064566	Ref	3/B
	0270329	SN 0300064566 to SN 0300068000	Ref	A
1	3537318	Plate, Swing Drive Mounting	1	
2	0642018	Bolt 5/8in-11NC x 2-1/4in	10	
3	4892000	Flatwasher 5/8in Hardened	10	
4	0100011	Compound, Locking	AR	
5	2780205	Hub Assembly (See SWING HUB ASSEMBLY for Breakdown)	1	
6	3932224	Bolt 1/2in-13NC x 1-1/2in	4	
7		Brake Assembly Options (See SWING BRAKE ASSEMBLY for Breakdown):	1	
	See Note	Prior to SN 0300033476 Note: Recommend using p/n 0920109 in place of original p/n 0920083.		
	0920109	SN 0300033476 to SN 0300064566		
	0920119	SN 0300064566 to SN 0300068000		
8	3931860	Bolt Socket Head 1/2in-13NC x 3-3/4in (Prior to SN 0300064566)	2	
9		Motor Assembly Options (See SWING MOTOR ASSEMBLIES for Breakdown):	1	
	3160200	White Roller Stator Motor Prior to SN 0300064566		
	Use	White Roller Stator Motor SN 0300064566 to SN 0300068000 (Original Equipment was p/n 3160273)		
	1001110169	SN 0300068000 (Original Equipment was p/n 3160273)		
	1001110169	Parker Motor SN 0300064566 to SN 0300068000 (Service Replacement)		
		Note: For Machines SN 0300064566 to SN 0300068000, either p/n may be used as a replacement.	Ref	
10		Bolt Options:	2	
	0641811	Bolt 1/2in-13NC x 1-3/8in (Prior to SN 0300064566)		
	0681836	Bolt 1/2in-13NC x 4-1/2in (SN 0300064566 to SN 0300068000)		
11	4891800	Flatwasher 1/2in Hardened	2	
	0254798	TURNTABLE BEARING INSTALLATION	Ref	A
101	0440207	Bearing, Turntable	1	
102	0682016	Bolt 5/8in-11NC X 2in (Grade 8)	36	
103	4892000	Flatwasher 5/8in Hardened	36	
104	0100019	Compound, Locking	AR	
	0239585	TURNTABLE LOCK INSTALLATION	Ref	B
201	3421627	Pin	1	
202	3421565	Pin, Snap	1	
203	3760170	Ring, Quick Release	2	
204	1260017	Chain	9in/23cm	

SECTION 2 TURNTABLE

FIGURE 2-4. SWING DRIVE, TURNTABLE BEARING & LOCK INSTALLATIONS (CONTINUED)

SECTION 2 TURNTABLE

FIG & ITEM #	PART NUMBER	DESCRIPTION	QTY.	REV.
	0255316	REMOTE BEARING LUBE INSTALLATION	Ref	2
301	2751095	Hose, Grease	1	
302	2180344	Fitting, Bulkhead	2	
303	2160003	Fitting, Grease 45	2	
304	2220063	Fitting, 90	2	
305	2751032	Hose, Grease	1	

SECTION 2 TURNTABLE

FIGURE 2-4. SWING DRIVE, TURNTABLE BEARING & LOCK INSTALLATIONS (CONTINUED)

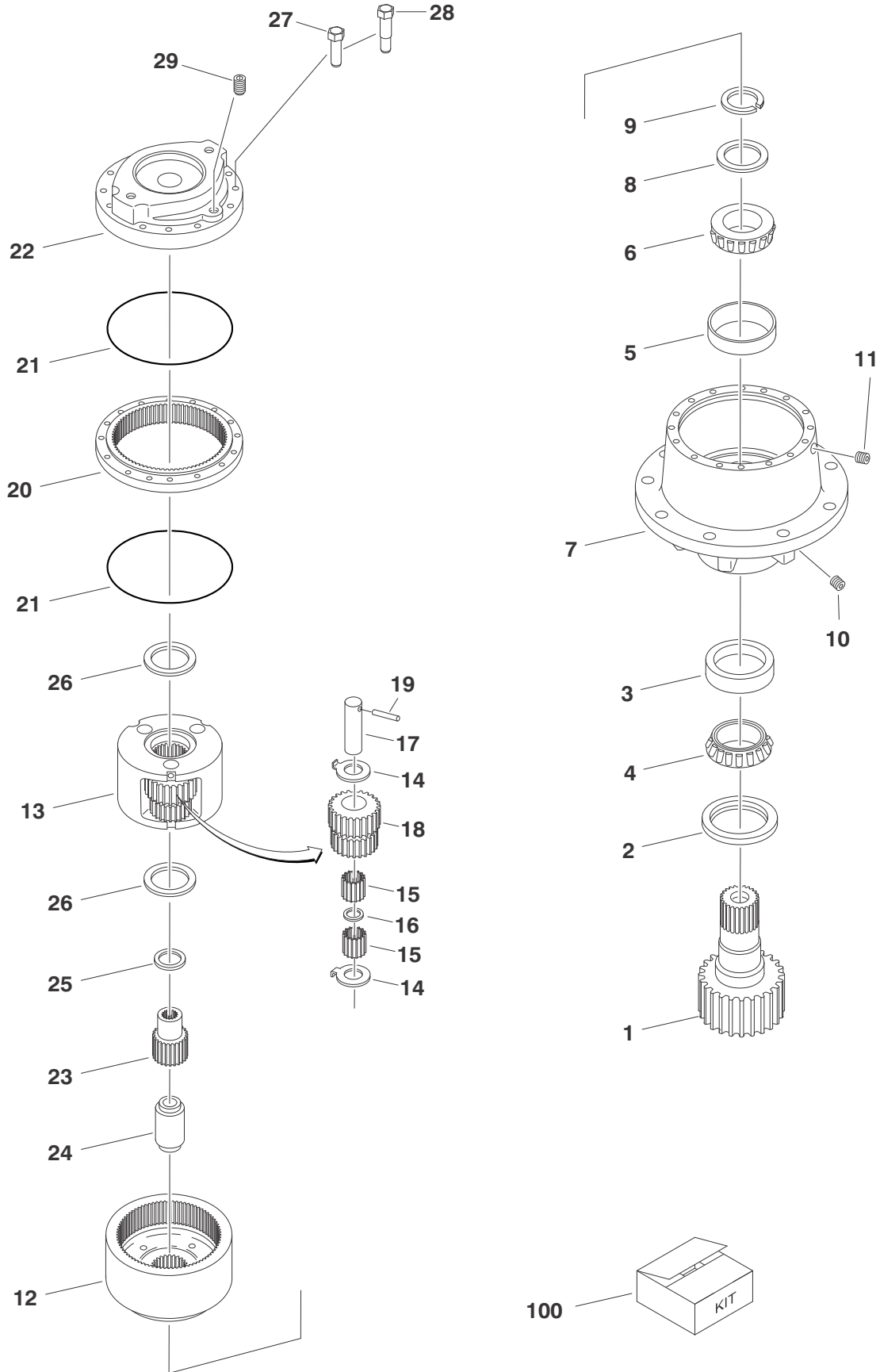
FIG & ITEM #	PART NUMBER	DESCRIPTION	QTY.	REV.

SECTION 2 TURNTABLE

SECTION 2 TURNTABLE

SECTION 2 TURNTABLE

FIGURE 2-5. SWING HUB ASSEMBLY



SECTION 2 TURNTABLE

FIGURE 2-5. SWING HUB ASSEMBLY

FIG & ITEM #	PART NUMBER	DESCRIPTION	QTY.	REV.
	2780205	SWING HUB ASSEMBLY	Ref	—
		HOUSING ASSEMBLY	Ref	
1	7010492	Shaft, Output	1	
2	7000228	Seal, Lip	1	
3	7000255	Cup, Bearing	1	
4	7000256	Cone, Bearing	1	
5	7000257	Cup, Bearing	1	
6	7000258	Cone, Bearing	1	
7	7017089	Housing	1	
8	7007633	Thrustwasher	1	
9	7000229	Ring, Retaining	1	
10	7010494	Pipe, Plug	2	
11	7001928	Pipe, Plug	2	
12	7000246	Gear, In O-Ring	2	

		CARRIER ASSEMBLY	Ref	
13	7001931	Carrier	1	
14	7001985	Thrustwasher, Tanged	6	
15	7001909	Bearing, Needle	96	
16	7000263	Spacer, Thrust	3	
17	7001911	Shaft, Planet	3	
18	7001987	Gear, Cluster	3	
19	7010474	Rollpin	3	
20	7001988	Ring Gear	1	
21	7000230	O-Ring (Black)	1	
	7017070	O-Ring (White)	1	
22	7000209	Cover, Input	1	
23	7010488	Gear, Sun	1	
24	7000269	Spacer, Input	1	
25	7000270	Thrustwasher	1	
26	7000253	Thrustwasher	2	
27	7000217	Bolt	8	
28	7000214	Bolt, Shoulder	4	
29	2200222	Pipe, Plug	1	

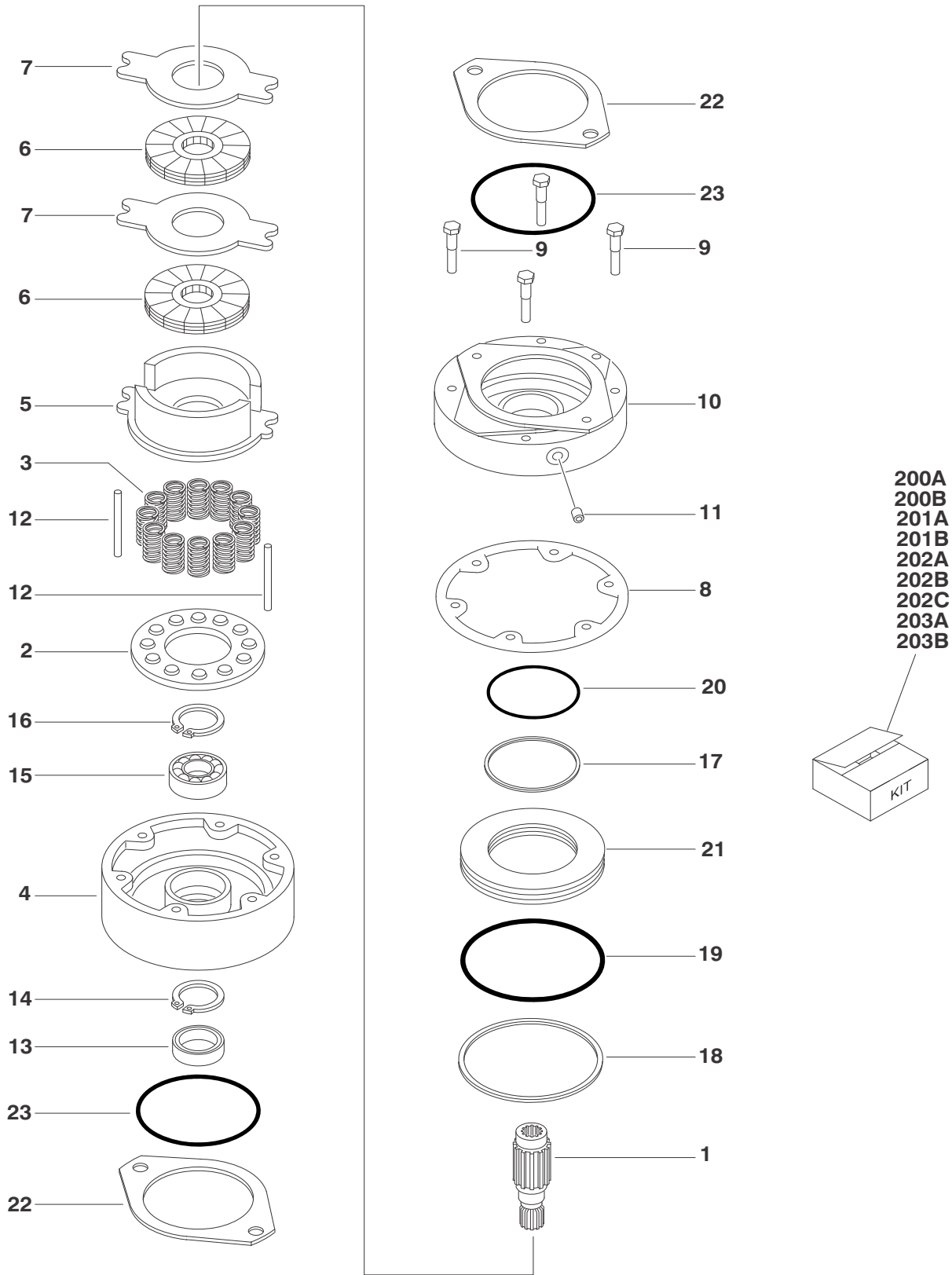
100	7024100	Seal Kit (Includes Items 2, 9, 21 & 26)	1	

SECTION 2 TURNTABLE

SECTION 2 TURNTABLE

FIGURE 2-6. SWING BRAKE ASSEMBLY

SECTION 2 TURNTABLE



SECTION 2 TURNTABLE

FIGURE 2-6. SWING BRAKE ASSEMBLY

FIG & ITEM #	PART NUMBER	DESCRIPTION	QTY.	REV.
		SWING BRAKE ASSEMBLY OPTIONS:	Ref	
	0920083	Prior to SN 0300033476	Ref	A
	0920109	SN 0300033476 to SN 0300064566	Ref	B
1	7011720	Shaft	1	
2		Guide, Spring Options:	1	
	7011717	0920083 Brake (Prior to SN 0300033476)		
	7018606	0920109 Brake (SN 0300033476 to SN 0300064566)		
3		Spring Options:	AR	
	7007979	0920083 Brake (Inner) (Prior to SN 0300033476)	6	
	7007980	0920083 Brake (Outer) (Prior to SN 0300033476)	6	
	7007970	0920109 Brake (Red) (SN 0300033476 to SN 0300064566)	6	
	7018602	0920109 Brake (Blue) (SN 0300033476 to SN 0300064566)	3	
4		Housing Options:	1	
	7011713	0920083 Brake (Prior to SN 0300033476)		
	7018605	0920109 Brake (SN 0300033476 to SN 0300064566)		
5		Return Plate & Separator Assembly Options:	AR	
	Use 2900767	Plate, Return - 0920083 Brake (Prior to SN 0300033476)	1	
	7011715	Separator Assy - 0920083 Brake (Prior to SN 0300033476)	2	
	7011714	Pin	4	
	7007983	Separator	2	
	Use 7018608	Plate, Return/Separator - 0920109 Brake (SN 0300033476 to SN 0300064566)	1	
6	See Note	Rotor (Note: Use Item 200A, 201A, 202A, 202B or 203B)	2	
7	See Note	Stator (Note: Use Item 200A, 201A, 202A, 202B or 203B)	2	
8	See Note	Seal, Oil (Note: Use Item 200A, 201A, 202A, 202B or 203B)	1	
9		Bolt, Washer Head Options:	4	
	7007985	0920083 Brake (Prior to SN 0300033476)		
	7018607	0920109 Brake (SN 0300033476 to SN 0300064566)		
10	7011719	Cover	1	
11		Hardware Options:	1	
	7007914	Screw, Bleeder (Prior to SN 0300033906)		
	7018609	Plug, Pipe (SN 0300033906 to SN 0300064566)		
12	7007987	Pin, Dowel	2	
13	See Note	Seal, Oil (Note: Use Item 200A, 201A or 203B)	1	
14	7011716	Ring, Retaining	1	
15	See Note	Bearing (Note: Use Item 201A or 203B)	1	
16	7007977	Ring, Retaining	1	
17	See Note	Ring, Back-Up (Note: Use Item 200A or 203B)	1	
18	See Note	Ring, Back-Up (Note: Use Item 200A or 203B)	1	
19	See Note	O-Ring (Note: Use Item 200A or 203B)	1	
20	See Note	O-Ring (Note: Use Item 200A or 203B)	1	

SECTION 2 TURNTABLE

FIGURE 2-6. SWING BRAKE ASSEMBLY (CONTINUED)

SECTION 2 TURNTABLE

FIG & ITEM #	PART NUMBER	DESCRIPTION	QTY.	REV.
21		Piston Options:	1	
	7007923	0920083 Brake (Prior to SN 0300033476)		
	7018603	0920109 Brake (SN 0300033476 to SN 0300064566)		
22	7007934	Gasket	2	
23	See Note	O-Ring (Note: Use Item 200A, 201A, 202A, 202B or 203B)	2	
100	0920119	SWING BRAKE ASSEMBLY (NOT SHOWN) (SN 0300064566 TO SN 0300068000)	Ref	B
	7007933	Gasket, Mounting Face	2	
	7007990	O-Ring, Mounting Face	2	
		Note: Other than Gasket and O-Ring, Item 203B Repair Kit is only part available.	Ref	
		KIT OPTIONS	Ref	
200		Seal Kit Options:	AR	
200A	2900766	Seal Kit - 0920083 & 0920109 Brakes (Prior to SN 0300064566) (Includes Items 8,13,17,18,19,20,22 & 23)	1	
200B	Use 7018612	Seal Kit - 0920119 Brake (SN 0300064566 to SN 0300068000)	1	
201		Bearing Kit Options:	AR	
201A	2900768	Bearing Kit - 0920083 & 0920109 Brakes (Prior to SN 0300064566) (Includes Items 8,13,14,15,16,22 & 23)	1	
201B	Use 7018612	Bearing Kit - 0920119 Brake (SN 0300064566 to SN 0300068000)	1	
202		Lining Kit Options:	AR	
202A	2900767	Lining Kit - 0920083 Brake (Prior to SN 0300033476) (Includes items 5 Return Plate, 6, 7, 8, 22 & 23)	1	
202B	7018608	Lining Kit - 0920109 Brake (SN 0300033476 to SN 0300064566) (Includes Items 5 Return/Separator Plate, 6, 7, 8, 22 & 23)	1	
202C	Use 7018612	Lining Kit - 0920119 Brake (SN 0300064566 to Present)	1	
203		Repair Kit Options:	AR	
203A	See Note	Repair Kit - 0920083 & 0920109 Brakes (Prior to SN 0300064566) (Note: Not Available - Purchase Individual Items)	1	
203B	7018612	Repair Kit - 0920119 Brake (SN 0300064566 to SN 0300068000)	1	

SECTION 2 TURNTABLE

FIGURE 2-6. SWING BRAKE ASSEMBLY (CONTINUED)

FIG & ITEM #	PART NUMBER	DESCRIPTION	QTY.	REV.

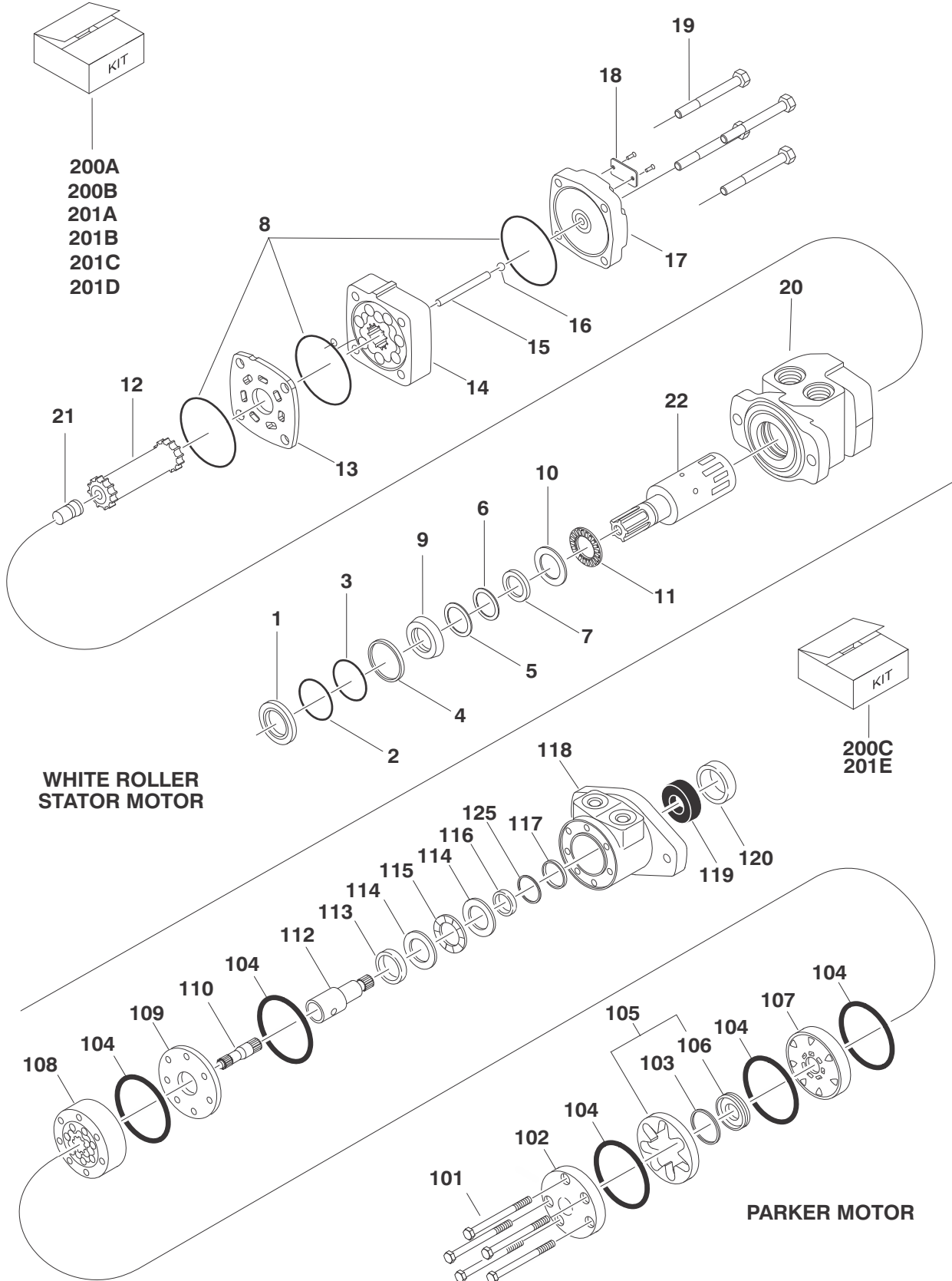
**S
E
C
T
I
O
N

2

T
U
R
N
T
A
B
L
E**

SECTION 2 TURNTABLE

FIGURE 2-7. SWING MOTOR ASSEMBLIES



WHITE ROLLER
STATOR MOTOR

PARKER MOTOR

SECTION 2 TURNTABLE

FIGURE 2-7. SWING MOTOR ASSEMBLIES

FIG & ITEM #	PART NUMBER	DESCRIPTION	QTY.	REV.
		Note: Original Equipment may have been replaced with Service Replacement swing motor. Identify brand before ordering parts.	Ref	
		SWING MOTOR ASSEMBLY OPTIONS:	Ref	
	3160200	WHITE ROLLER STATOR MOTOR PRIOR TO SN 0300064566	Ref	C
	3160273	WHITE ROLLER STATOR MOTOR SN 0300064566 TO SN 0300068000 (ORIGINAL EQUIPMENT)	Ref	B
1	Use 7005881	Seal, Dust	1	
2	Use 7005881	Ring, Split Wire	1	
3	Use 7005881	Shim, Metal Back-Up	1	
4	Use 7005881	Seal, High Pressure	1	
5	Use 7005881	Shim, Metal Back-Up	1	
6	Use 7005881	Seal, Teflon Back-Up	1	
7	Use 7005881	Seal, Shaft	1	
8	Use 7005881	Seal, Body	3	
9	Use 7005882	Carrier, Seal	1	
10	Use 7005882	Thrustwasher	1	
11		Bearing, Thrust Options:	1	
	7005842	3160200 Motor (Prior to SN 0300064566)		
	7016422	3160273 Motor (SN 0300064566 to SN 0300068000)		
12	7005889	Link, Drive	1	
13		Plate, Wear Options:	1	
	7005845	3160200 Motor (Prior to SN 0300064566)		
	7016423	3160273 Motor (SN 0300064566 to SN 0300068000)		
14	7005890	Rotor Assembly	1	
15	7005891	Pin, Drive Link	1	
16	See Note	Ball (Note: Use Item 201A or 201B)	1	
17	See Note	Cover, End (Note: Use Item 201A or 201B)	1	
18	See Note	Tag, I.D. (Note: Not Available to Purchase.)	1	
19	7005892	Bolt	4	
20		Housing Options:	1	
	7005841	3160200 Motor (Prior to SN 0300064566)		
	7016425	3160273 Motor (SN 0300064566 to SN 0300068000)		
21	7005893	Plug, Cooling	1	
22		Shaft Options:	1	
	7005894	3160200 Motor (Prior to SN 0300064566)		
	7016426	3160273 Motor (SN 0300064566 to SN 0300068000)		
	1001110169	SWING MOTOR ASSEMBLY (PARKER) (SERVICE REPLACEMENT)	Ref	A
101	70002243	Bolt	5	
102	7004035	Cover, End	1	
103	Use 7024389	Seal, Commutator	1	
104	Use 7024389	Seal, Ring	5	
105	7024453	Commutator and Ring Assembly	1	

SECTION 2 TURNTABLE

SECTION 2 TURNTABLE

FIGURE 2-7. SWING MOTOR ASSEMBLIES (CONTINUED)

SECTION 2 TURNTABLE

FIG & ITEM #	PART NUMBER	DESCRIPTION	QTY.	REV.
106	Use 7024453	Ring	1	
107	7024379	Manifold	1	
108	70002208	Rotor Set	1	
109	7024380	Plate, Wear	1	
110	83304150	Link, Drive	1	
111	Not Used			
112	7024395	Shaft, Coupling	1	
113	7024381	Bushing, Bronze	1	
114	7004043	Thrustwasher	2	
115	7004044	Bearing, Thrust	1	
116	Use 7024389	Seal, Inner	1	
117	Use 7024389	Washer, Back-up	1	
118	Use 1001110169	Housing (Note: Not Available - Purchase Complete Swing Motor Assembly.)	1	
119	7024390	Bearing	1	
120	Use 7024389	Seal	1	
121 to 124	Not Used			
125	Use 7024389	Washer, Backup	1	
		SEAL & REPAIR KITS	Ref	
200		Seal Kit Options: White Roller Stator Options:	AR	
200A	7005881	Seal Kit (Includes Items 1-8)	1	
200B	7005882	Seal Carrier Kit (Includes Items 9 & 10)	1	
		Parker Options:		
200C	7024389	Seal Kit (Includes Items 103, 104, 116,117,120 & 125)	1	
201		Repair Kit Options: White Roller Stator Options:	AR	
201A	7005848	End Cover Kit - 3160200 Motor (Prior to SN 0300064566) (Includes Items 16 & 17)	1	
201B	7016424	End Cover Kit - 3160327 Motor (SN 0300064566 to SN 0300068000) (Includes Items 16 & 17)	1	
201C	7005895	Housing/Shaft Kit - 3160200 Motor (Prior to SN 0300064566) (Includes Items 20-22)	1	
201D	7016427	Housing/Shaft Kit - 3160327 Motor (SN 0300064566 to SN 0300068000) (Includes Items 20-22)	1	
201E	See Note	Parker Options (Note: Not Available - Purchase Individual Components.)		

SECTION 2 TURNTABLE

FIGURE 2-7. SWING MOTOR ASSEMBLIES (CONTINUED)

FIG & ITEM #	PART NUMBER	DESCRIPTION	QTY.	REV.

**S
E
C
T
I
O
N

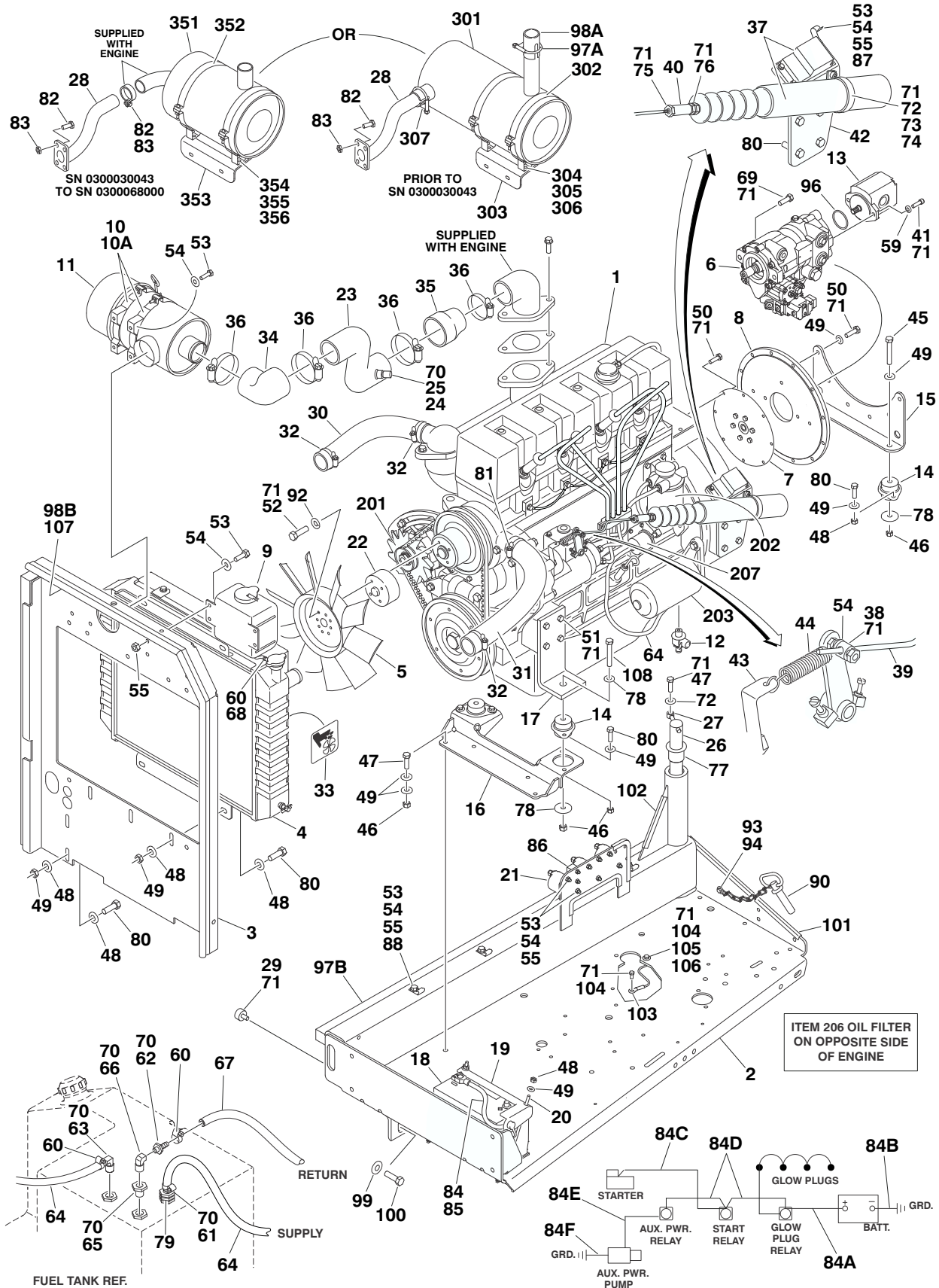
2

T
U
R
N
T
A
B
L
E**

SECTION 2 TURNTABLE

FIGURE 2-8. CONTINENTAL ENGINE INSTALLATION

SECTION 2 TURNTABLE



SECTION 2 TURNTABLE

FIGURE 2-8. CONTINENTAL ENGINE INSTALLATION

FIG & ITEM #	PART NUMBER	DESCRIPTION	QTY.	REV.
		CONTINENTAL ENGINE INSTALLATIONS	Ref	
	0255327	Prior to SN 0300030043	Ref	4/C
	0256754	SN 0300030043 to SN 0300068000	Ref	1/B
1	2000131	Engine - Continental TMD-27 Diesel	1	
2		Tray Engine Options:	1	
	4844961	Prior to SN 0300030043		
	4845404	SN 0300030043 to SN 0300068000		
3		Plate, Radiator Mounting Options:	1	
	3538724	Prior to SN 0300030043		
	3539872	SN 0300030043 to SN 0300068000		
4	3620030	Radiator	1	
5	2060025	Fan	1	
6		Piston Pump Assembly Options (See PISTON PUMP ASSEMBLY for Breakdown):	1	
	3600164	13 Tooth Pump (Prior to SN 0300030043)		
	3600260	15 Tooth Pump (SN 0300030043 to SN 0300068000)		
7		Coupling, Pump Options:	1	
	1660183	13 Tooth Pump (Prior to SN 0300030043)		
	1660233	15 Tooth Pump (SN 0300030043 to SN 0300068000)		
8	0080181	Plate, Pump Adaptor	1	
9	1580011	Container, Coolant Overflow	1	
10		Air Cleaner Assembly Options:	1	
	1340056	Prior to SN 0300030043		
	1340060	SN 0300030043 to SN 0300068000		
10A	7012664	Element, Air Cleaner	1	
11	0340041	Band, Mounting	2	
12	4640952	Valve, Oil Drain	1	
13	3600242	Gear Pump Assembly (See GEAR PUMP ASSEMBLY for Breakdown)	1	
14		Mount, Rubber Engine Options:	AR	
	3200378	Front & Rear (Prior to SN 0300030043)	4	
	3200378	Rear (SN 0300030043 to SN 0300068000)	2	
	3200362	Front (SN 0300030043 to SN 0300068000)	2	
15	3537287	Bracket, Engine Mounting - Rear	1	
16	3537691	Bracket, Engine Mounting - Front	1	
17	3537290	Support, Engine	2	
18	0400075	Battery	1	
19	0181727	Hold-Down, Battery	1	
20	0630498	Rod, Hold-Down	2	
21	3740067	Relay	3	
22	0080215	Spacer, Fan	1	
23		Tube, Air Intake Options:	1	
	4845059	Prior to SN 0300030043		
	4845453	SN 0300030043 to SN 0300068000		
24	4360392	Switch, Restriction Indicator	1	
25	2180798	Fitting	1	
26	3422446	Pin, Pivot	1	

SECTION 2 TURNTABLE

FIGURE 2-8. CONTINENTAL ENGINE INSTALLATION (CONTINUED)

SECTION 2 TURNTABLE

FIG & ITEM #	PART NUMBER	DESCRIPTION	QTY.	REV.
27	3841143	Keeper, Pin	1	
28		Tube, Exhaust Options:	1	
	4845157	Prior to SN 0300030043		
	4847072	SN 0300030043 to SN 0300068000		
29	0940070	Bumper, Rubber	1	
30	2720395	Hose, Oil Cooler - Top	1	
31	2720396	Hose, Oil Cooler - Bottom	1	
32	1320012	Clamp, Hose	3	
33		Nameplate - Fan Caution Options:	2	
	3250914	Prior to SN 0300030043		
	1703162	SN 0300030043 to SN 0300068000		
34	0080201	Elbow, Rubber	1	
35	0080216	Reducer, Rubber	1	
36	1320016	Clamp, Hose	4	
37	Use 2910000	Actuator Assembly (was p/n 0060033) (See ELECTRICAL SECTION for Breakdown)	1	
38	1660220	Swivel	1	
39	3841288	Rod, Throttle	1	
40	1660222	Coupling, Throttle	1	
41	3931620	Bolt, Socket Head 3/8in-16NC x 1-1/4in	2	
42	3539139	Plate, Actuator Mounting	1	
43	0902159	Bracket, Spring	1	
44	4160138	Spring	1	
45	0641818	Bolt 1/2in-13NC x 2-1/4in	4	
46	3311608	Locknut 1/2in-13NC	4	
47	0641610	Bolt 3/8in-16NC x 1-1/4in	6	
48	3311605	Locknut 3/8in-16NC x 1-1/4in	22	
49	4751600	Flatwasher 3/8in Regular	56	
50	0681606	Bolt 3/8in-16NC x 3/4in (Grade 8)	6	
51	0701414	Bolt M14 x 30mm	8	
52	0700819	Bolt M8 x 55mm	4	
53	0641406	Bolt 1/4in-20NC x 3/4in	20	
54	4751400	Flatwasher 1/4in Regular	35	
55	3311405	Locknut 1/4in-20NC	17	
56	0721004	Bolt #10-24NC x 1/2in	2	
57	3321001	Nut #10-24NC	2	
58	4751000	Flatwasher #10 Regular	10	
59	4891600	Flatwasher 3/8in Hardened	2	
60	1320022	Clamp, Hose	8	
61	2220273	Fitting, Reducer	2	
62	2180536	Fitting, Straight	1	
63	2220313	Fitting, 90	1	
64	2750532	Hose 3/8in	21.5t./6.5m	
65	2220250	Fitting, Reducer	1	
66	2220459	Fitting, 90	1	
67	2720271	Hose 3/16in	15ft./4.6m	
68	2720058	Hose 5/16in	6in./15cm	
69	0641812	Bolt 1/2in-13NC x 1-1/2in	2	
70	0100020	Sealant, Thread	AR	

SECTION 2 TURNTABLE

FIGURE 2-8. CONTINENTAL ENGINE INSTALLATION (CONTINUED)

FIG & ITEM #	PART NUMBER	DESCRIPTION	QTY.	REV.
71	0100011	Compound, Locking	AR	
72	4740442	Washer, Bellville	1	
73	3900217	Bolt, Socket Head Shoulder	1	
74	0962031	Bushing, Flanged	1	
75	3321402	Nut, Jam 1/4in-28NF	1	
76	3321602	Nut, Jam 3/8in-24NF	1	
77	0961986	Bushing, Flanged	2	
78	4740274	Washer, Snubbing	4	
79	2220720	Fitting, Barbed	1	
80	0641608	Bolt 3/8in-16NC x 1in	20	
81	1320031	Clamp, Hose	1	
82	0641712	Bolt 7/16in-14NC x 1-1/2in	2	
83	3311705	Locknut 7/16in-14NC	2	
84	2901363	Battery Cable Kit	1	
84A	7016800	Cable, Battery (Red)	1	
84B	7016809	Cable, Battery (Black)	1	
84C	7016810	Cable (Red)	1	
84D	7016811	Cable (Red)	1	
84E	7016806	Cable (Red)	1	
84F	7016805	Cable (Black) (Prior to SN 0300025556 Only)	1	
85	4460611	Terminal, Battery Jumper Post	1	
86	4360294	Breaker, Circuit - 30 Amp	1	
87	1320222	J-Clip 3/8in (Prior to SN 0300025556 Only)	1	
88	1320223	J-Clip 1/2in	9	
89	0700605	Bolt, Metric	1	
90	3422532	Pin, Hitch	1	
91	0641612	Bolt 3/8in-16NC x 1-1/2in	12	
92	4831900	Lockwasher M8	4	
93	0641407	Bolt 1/4in-20NC x 7/8in	1	
94	4711400	Flatwasher 1/4in Thin	1	
95	1701505	Decal - Diesel (Not Shown - Located on Hood)	1	
96	3790152	O-Ring	1	
97		Optional Parts:	AR	
97A	4566986	Tube, Adapter (Prior to SN 0300030043)	1	
97B	3960468	Seal (SN 0300030043 to SN 0300068000)	1	
98		Optional Parts:	AR	
98A	1320019	Clamp, Exhaust (Prior to SN 0300030043)	1	
98B	3960468	Seal (SN 0300030043 to SN 0300068000)	1	
99	0642010	Bolt 5/8in-11NC x 1-1/4in	1	
100	4752000	Flatwasher 5/8in Regular	1	
101	4060805	Flex-Trim 1/4in	7in/18cm	
102	4060804	Flex-Trim 3/16in	16in/40cm	
103	1060637	Lanyard	1	
104	0641808	Bolt 1/2in-13NC x 1in	2	
105	3311801	Nut 1/2in-13NC	1	
106	4751800	Flatwasher 1/2in Regular	1	
107	3960389	Seal (SN 0300030043 to SN 0300068000)	3ft/.9m	
108	0641826	Bolt 1/2in-13NC x 3-1/4in	2	

SECTION 2 TURNTABLE

FIGURE 2-8. CONTINENTAL ENGINE INSTALLATION (CONTINUED)

SECTION 2 TURNTABLE

FIG & ITEM #	PART NUMBER	DESCRIPTION	QTY.	REV.
	2000131	ENGINE COMPONENTS	Ref	
201	7016329	Alternator	1	
202	7016324	Filter, Fuel	1	
203	7016325	Starter	1	
204	7016326	Switch, Water Temperature (Not Shown)	1	
205	7016327	Switch, Low Oil Pressure (Not Shown)	1	
206	7016340	Filter, Oil	1	
207	7020073	Pump, Fuel	1	
208	7023677	Glow Plug (Not Shown)	4	
		MUFFLER INSTALLATION S (PRIOR TO SN 0300030043)	Ref	
	0255873	Standard Equipment (Spark Arresting)	Ref	—
	0255874	Optional Equipment (Purifier)	Ref	—
301		Muffler Options:	1	
	3220097	Spark Arresting		
	3220099	Purifier		
302	0340041	Clamp, Band	2	
303	0902216	Bracket	1	
304	0641508	Bolt 5/16in-18NC x 1in	4	
305	4711500	Flatwasher 5/16in Thin	8	
306	3311505	Locknut 5/16in-18NC	4	
307	1320019	Clamp, Exhaust	1	
		MUFFLER INSTALLATION S (SN 0300030043 TO SN 0300068000)	Ref	
	0256687	Standard Equipment (Spark Arresting)	Ref	—
	0256688	Optional Equipment (Purifier)	Ref	—
351		Muffler Options:	1	
	3220105	Spark Arresting		
	3220107	Purifier		
352	0340046	Clamp, Band	2	
353	0902310	Bracket	1	
354	0641508	Bolt 5/16in-18NC x 1in	4	
355	4711500	Flatwasher 5/16in Thin	8	
356	3311505	Locknut 5/16in-18NC	4	
357	4567073	Tube, Exhaust	1	

SECTION 2 TURNTABLE

FIGURE 2-8. CONTINENTAL ENGINE INSTALLATION (CONTINUED)

FIG & ITEM #	PART NUMBER	DESCRIPTION	QTY.	REV.

**S
E
C
T
I
O
N

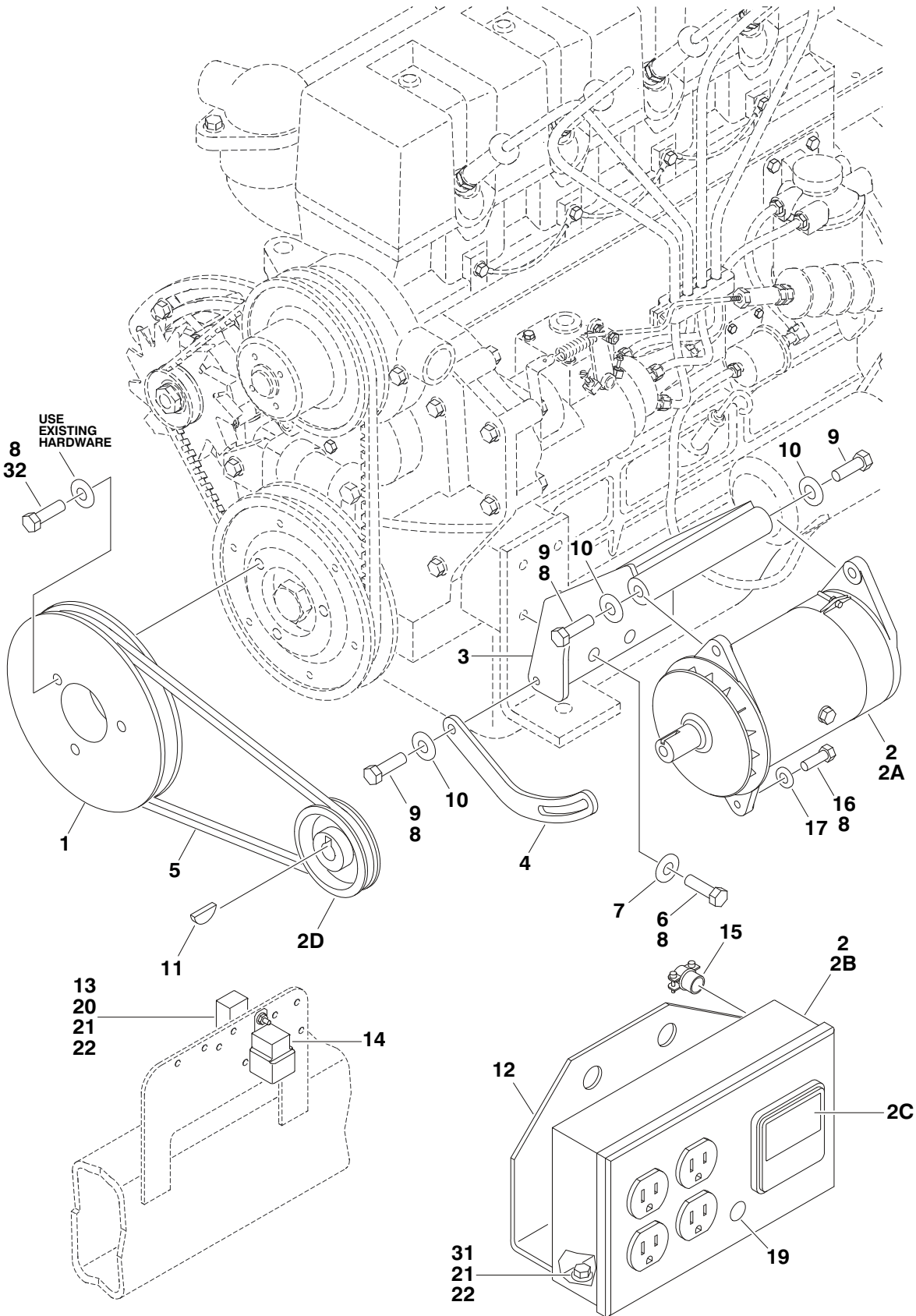
2

T
U
R
N
T
A
B
L
E**

SECTION 2 TURNTABLE

FIGURE 2-9. GENERATOR INSTALLATION - CONTINENTAL ENGINE (OPTIONAL)

SECTION 2 TURNTABLE



SECTION 2 TURNTABLE

FIGURE 2-9. GENERATOR INSTALLATION - CONTINENTAL ENGINE (OPTIONAL)

FIG & ITEM #	PART NUMBER	DESCRIPTION	QTY.	REV.
		GENERATOR INSTALLATIONS	Ref	
		Note: Number Colored Wiring Starts After SN 0300035129.	Ref	
	0255395	110 Volt Generator (Prior to 0300035129)	Ref	4/C
	0257852	110 Volt Generator SN 0300035129 to SN 0300068000	Ref	1/A
	0256895	220 Volt Generator (Prior to 0300035129)	Ref	-/-
	0257855	220 Volt Generator SN 0300035129 to SN 0300068000	Ref	2/A
1	3580255	Pulley	1	
2		Generator & Control Box Assembly Options:	1	
	2460011	110V Generator		
	Use 2460056	220V Generator (was p/n 2460013)	1	
2A		Replacement Generator Options:	1	
	7012558	110V Replacement Generator		
	1001100321	220V Replacement Generator		
	7020193	Cable, Generator (Generator to Control Box)	1	
		Armature Options:	1	
	7026199	Armature 110V Generator		
	70000123	Armature 220V Generator		
	7020108	Brush	4	
	7020109	Holder, Brush	4	
	7012513	Cap, Brush Holder	4	
	7012514	Fan	1	
	7020110	Bell, Front	1	
	7020111	Bell Rear	1	
	7020190	Bearing	2	
2B		Control Box Options:	1	
	7003657	110V Control Box		
	70002235	220V Control Box with Toggle Switch		
	70000127	220V Control Box without Toggle Switch		
		Note: Replacement 110V control box comes with (2) standard receptacle p/n 4460190. Optional industrial twist lock receptacle p/n 4460027 must be ordered separately.	Ref	
		Breaker, Circuit Options:	1	
	4360542	Breaker 110V		
	70000126	Breaker 220V		
		Receptacle Options:	AR	
	4460190	Receptacle, Standard 110V		
	4460027	Receptacle, Twistlock 110V		
	70000124	Receptacle, Double 220V		
	70000125	Receptacle, Single 220V		
	2920162	Lamp	1	
	7020191	Switch, Toggle	1	
	3520028	Plug, Hole	1	
2C		Voltmeter Options:	1	
	2420203	Voltmeter 110V (was p/n 7010699)		
	7020192	Voltmeter 220V		
2D	3580134	Pulley	1	
	7027887	Key, Woodruff		

SECTION 2 TURNTABLE

SECTION 2 TURNTABLE

FIGURE 2-9. GENERATOR INSTALLATION - CONTINENTAL ENGINE (OPTIONAL) (CONTINUED)

SECTION 2 TURNTABLE

FIG & ITEM #	PART NUMBER	DESCRIPTION	QTY.	REV.
3	4845181	Bracket, Generator Mounting	1	
4	0200530	Arm, Adjusting	1	
5	0480050	V-Belt	1	
6	0701417	Bolt M14 x 45mm	4	
7	4751900	Flatwasher 9/16in Regular	4	
8	0100011	Compound, Locking	AR	
9	0681612	Bolt 3/8in-16NC x 1-1/2in (Grade 8)	3	
10	4751600	Flatwasher 3/8in Regular	5	
11	2860012	Key, Woodruff	1	
12	3539504	Plate, Mounting	1	
13	4360294	Breaker, Circuit 30 Amp	1	
14	3740080	Relay, Bosch	1	
15	4460023	Connector, Strain Relief	1	
16	0641508	Bolt 5/16in-18NC x 1in	1	
17	4751500	Flatwasher 5/16in Regular	1	
18	Not Used			
19	3520028	Plug, Hole	1	
20	0721006	Bolt #10-24NC x 3/4in	2	
21	3311005	Locknut #10-24NC	4	
22	4751000	Flatwasher #10 Regular	9	
23 to 24	Not Used			
25	4360336	Switch, Toggle (Not Shown - Located at Platform)	1	
26	4740397	Bushing (Not Shown - Located at Platform)	1	
27	4060802	Guard, Switch (Not Shown - Located at Platform)	1	
28	Not Used			
29	2820031	Heatshrink (Not Shown - Located at Platform)	4in/10cm	
30	3251102	Decal - On/Off (Not Shown - Located at Platform)	1	
31	0721004	Bolt #10-24NC x 1/2in	2	
32	0701015	Capscrew 10mm x 35mm	3	

SECTION 2 TURNTABLE

FIGURE 2-9. GENERATOR INSTALLATION - CONTINENTAL ENGINE (OPTIONAL) (CONTINUED)

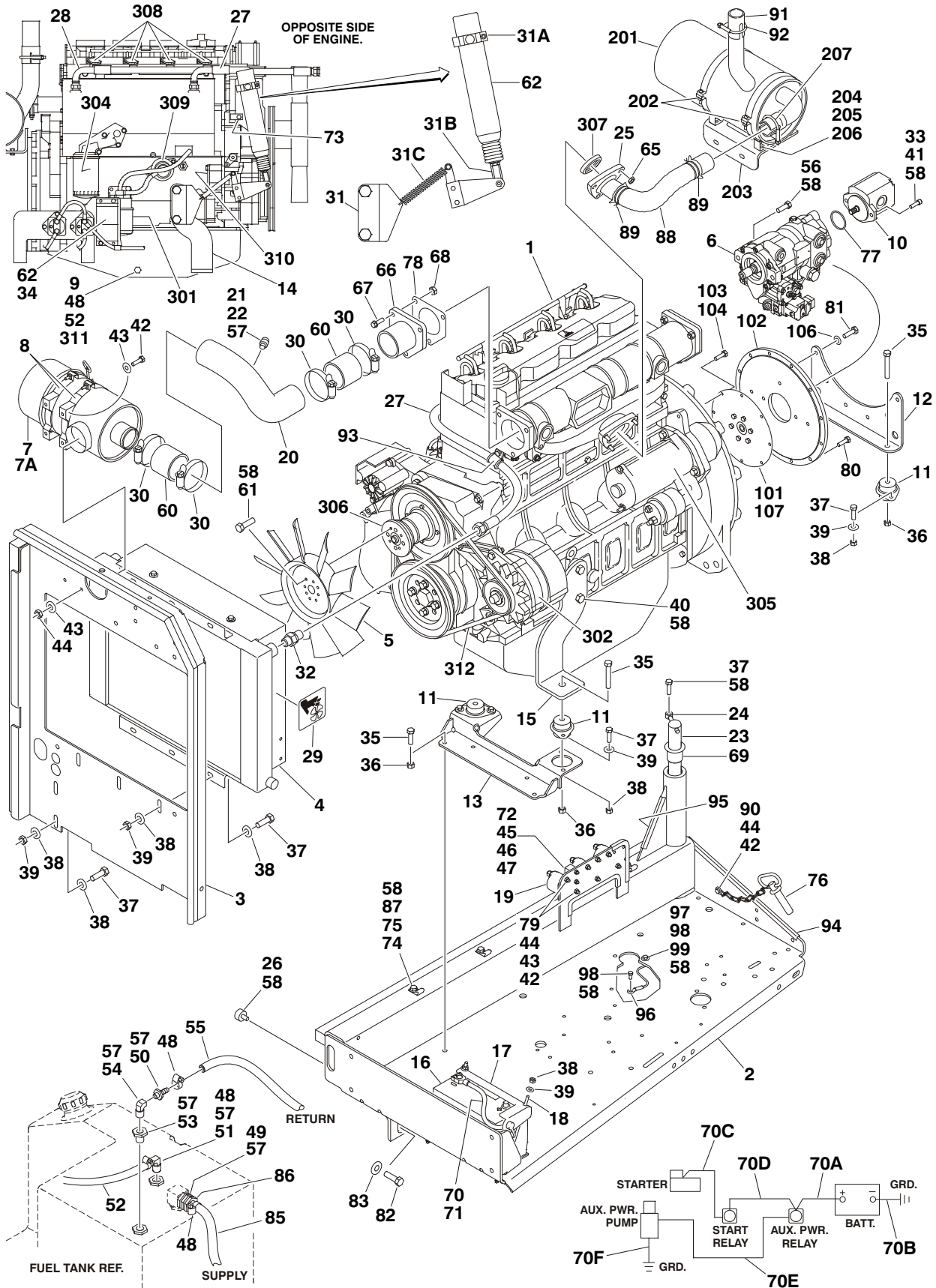
FIG & ITEM #	PART NUMBER	DESCRIPTION	QTY.	REV.

SECTION 2 TURNTABLE

SECTION 2 TURNTABLE

FIGURE 2-10. DEUTZ ENGINE INSTALLATION (PRIOR TO SN 0300030041)

SECTION 2 TURNTABLE



SECTION 2 TURNTABLE

FIGURE 2-10. DEUTZ ENGINE INSTALLATION (PRIOR TO SN 0300030041)

FIG & ITEM #	PART NUMBER	DESCRIPTION	QTY.	REV.
	0255326	DEUTZ ENGINE INSTALLATION	Ref	11/J
1	2000132	Engine - Deutz F4M1011F Diesel Note: SN 0300029082 & SN 0300029682 built with engine p/n 2000146.	1 Ref	
2	4844961	Tray Engine	1	
3	3538724	Plate, Radiator Mounting	1	
4	3620033	Cooler, Oil	1	
5	2060025	Fan	1	
6	3600164	Piston Pump Assembly (See PISTON PUMP ASSEMBLY for Breakdown)	1	
7	1340056	Air Cleaner Assembly	1	
7A	7012664	Element, Air Cleaner	1	
8	0340041	Band, Mounting	2	
9	4640751	Valve, Oil Drain	1	
10	3600242	Gear Pump Assembly (See GEAR PUMP ASSEMBLY for Breakdown)	1	
11	3200378	Mount, Rubber Engine	4	
12	3537420	Bracket, Engine Mounting - Rear	1	
13	3537691	Bracket, Engine Mounting - Front	1	
14	3537416	Support, Engine - Right	1	
15	3537417	Support, Engine - Left	1	
16	0400075	Battery	1	
17	0181727	Hold-Down, Battery	1	
18	0630498	Rod, Hold-Down	2	
19	3740067	Relay	2	
20	4845080	Tube, Air Intake	1	
21	4360392	Switch, Restrictor Indicator	1	
22	2180798	Fitting	1	
23	3422446	Pin, Pivot	1	
24	3841143	Keeper, Pin	1	
25	4844623	Tube, Exhaust	1	
26	0940070	Bumper, Rubber	1	
27	2720397	Hose, Oil Cooler - Left (36in)	1	
28	2720398	Hose, Oil Cooler - Right (30in)	1	
29		Nameplate - Fan Caution Options:	2	
	3250914	Prior to SN 0300027660		
	1703162	SN 0300027660 to SN 0300030041		
30	1320016	Clamp, Hose	4	
31	2901392	Throttle Mounting Kit	1	
31A	7008833	Bracket, Throttle	1	
31B	7008835	Coupling, Ball Joint	1	
31C		Spring Options:	1	
	7008836	Spring (Addco Version)		
	7027250	Spring (Deutz Version)		
31D	7023340	Screw, Shoulder 3/8in x 3/8in (Not Shown)	AR	
32	2220451	Fitting, Straight	2	
33	3931620	Bolt, Socket Head 3/8in-16NC x 1-1/4in	2	
34	0902243	Bracket, Control Module Mounting	1	

SECTION 2 TURNTABLE

FIGURE 2-10. DEUTZ ENGINE INSTALLATION (PRIOR TO SN 0300030041) (CONTINUED)

SECTION 2 TURNTABLE

FIG & ITEM #	PART NUMBER	DESCRIPTION	QTY.	REV.
35	0641816	Bolt 1/2in-13NC x 2in	4	
36	3311805	Locknut 1/2in-13NC	4	
37	0641610	Bolt 3/8in-16NC x 1-1/4in	21	
38	3311605	Locknut 3/8in-16NC	22	
39	4751600	Flatwasher 3/8in Regular	44	
40	0701414	Bolt M14 x 30mm	4	
41	4891600	Flatwasher 3/8in Hardened	2	
42	0641406	Bolt 1/4in-20NC x 3/4in	12	
43	4751400	Flatwasher 1/4in Regular	20	
44	3311405	Locknut 1/4in-20NC	13	
45	0721004	Bolt #10-24NC x 5/8in	2	
46	3311005	Locknut #10-24NC	2	
47	4751000	Flatwasher #10 Regular	2	
48	1320022	Clamp, Hose	6	
49	2220273	Fitting, Reducer	2	
50	2180536	Fitting, Straight	1	
51	2220313	Fitting,90	1	
52	2750532	Hose 3/8in	6ft./1.83m	
53	2220250	Fitting, Reducer	1	
54	2220459	Fitting, 90	1	
55	2720271	Hose 3/16in	15ft./4.6m	
56	0641812	Bolt 1/2in-13NC x 1-1/2in	4	
57	0100020	Sealant, Thread	AR	
58	0100011	Compound, Locking	AR	
59	Not Used			
60	2720351	Coupling, Rubber Intake	6in./15cm	
61	0700810	Bolt M8 x 20mm	4	
62	Use 2910000	Actuator Assembly (was p/n 0060033) (See ELECTRICAL SECTION for Breakdown)	1	
63 to 64	Not Used			
65	3290801	Nut M8	3	
66	0080177	Air Intake Adapter Weldment	1	
67	0641510	Bolt 5/16in-18NC x 1-1/4in	3	
68	3311505	Locknut 5/16in-18NC	3	
69	0961986	Bushing, Flanged	2	
70	2901358	Battery Cable Kit	1	
70A	7016800	Cable, Battery (Red)	1	
70B	7016812	Cable, Battery (Black)	1	
70C	7016802	Cable (Red)	1	
70D	7016803	Cable (Red)	1	
70E	7016804	Cable (Red)	1	
70F	7016805	Cable (Black) (Prior to SN 0300025556)	1	
71	4460611	Terminal, Battery Jumper Post	1	
72	4360294	Breaker, Circuit - 30 Amp	1	
73	1320222	J-Clip 3/8in	1	
74	1320223	J-Clip 1/2in	3	
75	0641606	Bolt 3/8in-16NC x 3/4in	3	
76	3422532	Pin, Hitch	1	
77	3790152	O-Ring	1	

SECTION 2 TURNTABLE

FIGURE 2-10. DEUTZ ENGINE INSTALLATION (PRIOR TO SN 0300030041) (CONTINUED)

FIG & ITEM #	PART NUMBER	DESCRIPTION	QTY.	REV.
78	3960407	Gasket	1	
79	4791400	Starwasher 1/4in	4	
80	0701012	Bolt M10 x 25mm	4	
81	0701015	Bolt M10 x 35mm	4	
82	0642010	Bolt 5/8in-11NC x 1-1/4in	1	
83	4752000	Flatwasher 5/8in Regular	1	
84	1701505	Decal - Diesel (Not Shown - Located on Hood)	1	
85	2720058	Hose	16ft/4.9m	
86	2220794	Fitting, Barbed	1	
87	4711600	Flatwasher 3/8in Thin	3	
88	4100025	Sleeve, Fiberglass	19in/49cm	
89	4920385	Wire	2ft/60cm	
90	4711400	Flatwasher 1/4in Thin	1	
91	4566986	Tube, Adapter	1	
92	1320019	Clamp, Exhaust	1	
93	1320060	Clamp, Hose	1	
94	4060805	Flex-Trim 1/4in (SN 0300025556 to SN 0300030041)	7in/18cm	
95	4060804	Flex-Trim 3/16in (SN 0300025556 to SN 0300030041)	16in/40cm	
96	1060637	Lanyard (SN 0300025556 to SN 0300030041)	1	
97	0641808	Bolt 1/2in-13NC x 1in (SN 0300025556 to SN 0300030041)	2	
98	3311801	Nut 1/2in-13NC (SN 0300025556 to SN 0300030041)	1	
99	4751800	Flatwasher 1/2in Regular (SN 0300025556 to SN 0300030041)	1	
	0256191	PUMP COUPLING INSTALLATION	Ref	—
101		Coupling, Hayes Options:	1	
	1660184	13 Tooth Pump (Originally Equipped)		
	1660234	15 Tooth Pump (Option for field replacement)		
102	0080163	Plate, Pump Adapter	1	
103	0700810	Bolt M8 x 20mm	6	
104	4831900	Lockwasher M8	6	
105	Not Used			
106	4832000	Lockwasher M10	8	
107	3020021	Grease, Coupling	AR	
		MUFFLER INSTALLATIONS	Ref	
	0255875	Standard Equipment	Ref	—
	0255876	Optional Purifier	Ref	—
201		Muffler Options:	1	
	3220100	Standard Spark Arresting		
	3220101	Optional Catalytic Purifier		
202	0340041	Band, Clamp	2	
203	0902217	Bracket	1	
204	0641508	Bolt 5/16in-18NC x 1in	4	
205	4711500	Flatwasher 5/16in Thin	8	
206	3311505	Locknut 5/16in-18NC	4	
207	1320019	Clamp, Exhaust	1	

SECTION 2 TURNTABLE

SECTION 2 TURNTABLE

FIGURE 2-10. DEUTZ ENGINE INSTALLATION (PRIOR TO SN 0300030041) (CONTINUED)

SECTION 2 TURNTABLE

FIG & ITEM #	PART NUMBER	DESCRIPTION	QTY.	REV.
	2000132	ENGINE COMPONENTS	Ref	
301		Fuel Filter/Water Separator Options:	1	
	7016328	Element, Filter (Thumbscrew Mounted)		
	7020023	Element, Filter (Spin-on) (was p/n 7012598)		
302	7000663	Alternator (was p/n 7016329, 7020436 & 7020410)	1	
	70002234	Bracket, Adjustable Mounting Strap	1	
303	7016330	Switch, Oil Pressure (Not Shown)	1	
304	7016331	Filter, Oil	1	
305	7016332	Starter	1	
306	70000787	Support, Fan	1	
307	7000699	Gasket, Exhaust (Doughnut) (Fits Between Pipe Flange & Manifold)	1	
308		Pump, Fuel Injector Options:	4	
		Note: Customer must supply Engine Serial Number before ordering.	Ref	
	7012599	Option 1		
	7020427	Option 2		
309		Pump, Fuel Supply Lift Options;	1	
		Note: Customer must supply Engine Serial Number before ordering.	Ref	
	7012698	Option 1		
	7024413	Option 2 (was p/n 7020428)		
	7020411	Gasket, Fuel Supply Lift Pump	1	
	7016309	Washer, Copper	1	
	7020419	Hose, Fuel Return (Not Shown)	1	
310	7019607	Solenoid, Fuel Shutdown	1	
311	7020404	Ring, Sealing - Oil Drain	1	
312	7020408	V-Belt	1	
313	7020418	Dipstick (Not Shown)	1	
314	7020431	Gasket, Head (Not Shown)	1	
315	See Note	Flywheel/Ring Gear Assembly (Not Shown) (Note: Not Available for Purchase.)	1	
	7020477	Ring Gear Only (Not Shown)	1	
316	7024565	Sensor, Speed (Not Shown)	1	
317	7027250	Spring, Actuator (Not Shown)	1	

SECTION 2 TURNTABLE

FIGURE 2-10. DEUTZ ENGINE INSTALLATION (PRIOR TO SN 0300030041) (CONTINUED)

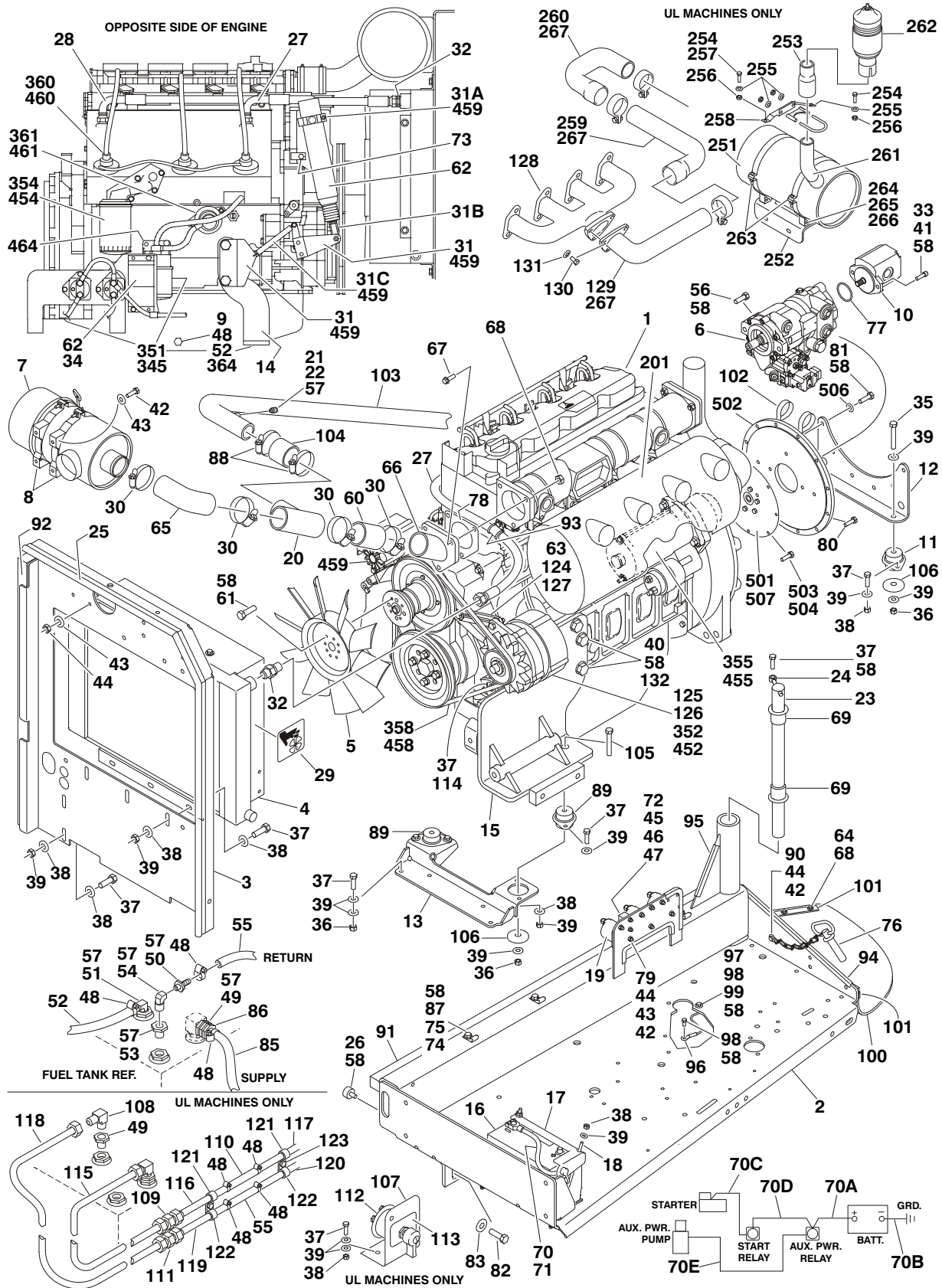
FIG & ITEM #	PART NUMBER	DESCRIPTION	QTY.	REV.

SECTION 2 TURNTABLE

SECTION 2 TURNTABLE

FIGURE 2-11. DEUTZ ENGINE INSTALLATION - WITH NOISE REDUCTION
(SN 0300030041 TO SN 0300068000)

SECTION 2 TURNTABLE



SECTION 2 TURNTABLE

FIGURE 2-11. DEUTZ ENGINE INSTALLATION - WITH NOISE REDUCTION (SN 0300030041 TO SN 0300068000)

FIG & ITEM #	PART NUMBER	DESCRIPTION	QTY.	REV.
		DEUTZ ENGINE INSTALLATIONS	Ref	
	0256753	Engine Assembly & Installation (Standard) (SN 0300030041 to SN 0300061927)	Ref	6/G
	0270763	Engine Assembly & Installation - ADE System (SN 0300061927 to SN 0300068000)	Ref	8/G
	0257702	Engine Assembly & Installation (UL)	Ref	8/D
1		Engine - Deutz F4M1011F Diesel Options:	1	
	2000146	Standard Machines		
	2000146	UL Machines		
	2000173	ADE System (SN 0300030041 to SN 0300065608)		
	2000189	ADE System (SN 0300065608 to SN 0300068000)		
2	4845404	Tray Engine	1	
3		Plate, Radiator Mounting Options:	1	
	3539872	Standard/ADE System Machines		
	3571421	UL Machines (SN 0300039457 to SN 0300068000)		
4	3620033	Cooler, Oil	1	
5	2060025	Fan	1	
6	3600260	Piston Pump Assembly (See PISTON PUMP ASSEMBLY for Breakdown)	1	
7		Air Cleaner Assembly Options:	1	
	1340060	Standard/ADE System Machines		
7A	7012664	Element	1	
	1340050	UL Machines (SN 0300039457 to SN 0300068000)		
7A	7010638	Element	1	
8	0340041	Band, Mounting	2	
9	4640751	Valve, Oil Drain	1	
10	3600242	Gear Pump Assembly (See Gear Pump Assembly for Breakdown)	1	
11	3200378	Mount, Rubber Engine (Rear)	2	
12	3537420	Bracket, Engine Mounting - Rear	1	
13	3539971	Bracket, Engine Mounting - Front	1	
14	3537416	Support, Engine - Right	1	
15		Support, Engine - Left Options:	1	
	3537417	SN 0300030041 to SN 0300064395		
	4846479	SN 0300064395 to SN 0300068275		
	4846566	SN 0300068275 to SN 0300068000		
16	0400075	Battery	1	
17	0181727	Hold-Down, Battery	1	
18	0630498	Rod, Hold-Down	2	
19	3740067	Relay	2	
20		Tee, Air Intake Tube Options:	1	
	4567112	Tee, Air Intake Tube (Standard) (Prior to .SN 0300042668 Only)		
	4845080	Weldment, Air Intake Tube (UL Machines Only)		
21	4360392	Switch, Restrictor Indicator	1	
22	2180798	Fitting	1	
23	3422446	Pin, Pivot	1	
24	3841143	Keeper, Pin	1	

SECTION 2 TURNTABLE

FIGURE 2-11. DEUTZ ENGINE INSTALLATION - WITH NOISE REDUCTION (SN 0300030041 TO SN 0300068000) (CONTINUED)

FIG & ITEM #	PART NUMBER	DESCRIPTION	QTY.	REV.
25	3960389	Seal	5ft/1.5m	
26	0940070	Bumper, Rubber	1	
27		Hose, Oil Cooler - Left Options:	1	
	2720397	Hose 36in (SN 0300030041 to SN 0300034757)		
	2720398	Hose 30in (SN 0300034757 to SN 0300068000)		
28	2720398	Hose, Oil Cooler - Right (30in)	1	
29	1703162	Nameplate - Fan Caution	2	
30	1320016	Clamp, Hose	4	
31	2901392	Throttle Mounting Kit (SN 0300030041 to SN 0300061927)	1	
31A	7008833	Bracket, Throttle (SN 0300030041 to SN 0300061927)	1	
31B	7008835	Coupling, Ball Joint (SN 0300030041 to SN 0300061927)	1	
31C		Spring Options (SN 0300030041 to SN 0300061927):	1	
	7008836	Spring (Addco Version)		
	7027250	Spring (Deutz Version)		
31D	7023340	Screw, Shoulder 3/8in x 3/8in (Not Shown) (SN 0300030041 to SN 0300061927)	AR	
32	2220451	Fitting, Straight	2	
33	3931620	Capscrew, Socket Head 3/8in-16NC x 1-1/4in	2	
34		Bracket, Control Module Mounting Options:	1	
	0902243	SN 0300030041 to SN 0300044124		
	0902511	SN 0300044124 to SN 0300061927		
35	0641818	Bolt 1/2in-13NC x 2-1/4in	2	
36	3311805	Locknut 1/2in-13NC	4	
37	0641610	Bolt 3/8in-16NC x 1-1/4in	AR	
38	3311605	Locknut 3/8in-16NC	AR	
39	4751600	Flatwasher 3/8in Regular	AR	
40	0701414	Bolt 1/4in-20NC x 3/4in	AR	
41	4891600	Flatwasher 3/8in Hardened	2	
42	0641407	Bolt 1/4in-20NC x 7/8in	13	
43	4751400	Flatwasher 1/4in Regular	20	
44	3311405	Locknut 1/4in-20NC	13	
45	0721005	Bolt #10-24NC x 5/8in (SN 0300030041 to SN 0300061927)	2	
46	3321005	Locknut #10-24NC (SN 0300030041 to SN 0300061927)	2	
47	4751000	Flatwasher #10 Regular (SN 0300030041 to SN 0300061927)	2	
48	1320022	Clamp, Hose	6	
49	2220273	Fitting, Reducer	2	
50	2180536	Fitting, Straight	1	
51	2220313	Fitting,90	1	
52	2750532	Hose 3/8in	6ft./1.83m	
53	2220250	Fitting, Reducer	1	
54	2220459	Fitting, 90	1	
55	2720271	Hose 3/16in	15ft./4.6m	
56	0641812	Bolt 1/2in-13NC x 1-1/2in	4	
57	0100020	Sealant, Thread	AR	
58	0100011	Compound, Locking	AR	

SECTION 2 TURNTABLE

SECTION 2 TURNTABLE

FIGURE 2-11. DEUTZ ENGINE INSTALLATION - WITH NOISE REDUCTION (SN 0300030041 TO SN 0300068000) (CONTINUED)

FIG & ITEM #	PART NUMBER	DESCRIPTION	QTY.	REV.
59	Not Used			
60		Coupling, Rubber Intake Options:	AR	
	2720351	SN 0300030041 to SN 0300067979	6in./15cm	
	2720449	SN 0300067979 to SN 0300068000	2	
61	0700808	Bolt M8 x 16mm	4	
62	Use 2910000	Actuator Assembly (was p/n 0060033) (See ELECTRICAL SECTION for Breakdown) (SN 0300030041 to SN 0300061927)	1	
63	0641508	Bolt 5/16in-18NC x 1-1/4in	AR	
64	3900272	Screw 5/16in-18NC x 1-3/4in (SN 0300030041 to SN 0300061927)	3	
65	2720434	Elbow, Rubber	1	
66	4845395	Air Intake Adapter Weldment	1	
67	0641510	Bolt 5/16in-18NC x 1-1/4in	3	
68	3311505	Locknut 5/16in-18NC	7	
69	0961986	Bushing, Flanged	2	
70	2901358	Battery Cable Kit (Standard/ADE System Machines)	1	
70A	7016800	Cable, Battery (Red)	1	
70B	7016812	Cable, Battery (Black)	1	
70C	7016802	Cable (Red)	1	
70D	7016803	Cable (Red)	1	
70E	7016804	Cable (Red)	1	
70F	Not Required			
70	2901540	Battery Cable Kit (UL Machines Only)	1	
70A	7016826	Cable, Battery (Red)	1	
70B	7016812	Cable, Battery (Black)	1	
70C	7016845	Cable (Red)	1	
70D	7016815	Cable (Red)	1	
70E	7016816	Cable (Red)	1	
70F	7016827	Cable (Red)	1	
71	4460611	Terminal, Battery Jumper Post	1	
72	4360294	Breaker, Circuit - 30 Amp (SN 0300030041 to SN 0300061927)	1	
73	1320222	J-Clip 3/8in	1	
74	1320223	J-Clip 1/2in	3	
75	0641606	Bolt 3/8in-16NC x 3/4in	3	
76		Pin, Hitch Options;	1	
	3422532	Standard/ADE System Machines		
	3422533	UL Machines		
77	3790152	O-Ring	1	
78	3960407	Gasket	1	
79	4791400	Starwasher 1/4in	4	
80	0701012	Bolt M10 x 25mm	4	
81	0701015	Bolt M10 x 35mm	4	
82	0642010	Bolt 5/8in-11NC x 1-1/4in	1	
83	4752000	Flatwasher 5/8in Regular	1	
84	1701505	Decal - Diesel (Not Shown - Located on Hood)	1	
85	2720058	Hose	16ft/4.9m	
86	2220794	Fitting, Barbed	1	

SECTION 2 TURNTABLE

SECTION 2 TURNTABLE

FIGURE 2-11. DEUTZ ENGINE INSTALLATION - WITH NOISE REDUCTION (SN 0300030041 TO SN 0300068000) (CONTINUED)

FIG & ITEM #	PART NUMBER	DESCRIPTION	QTY.	REV.
87	4711600	Flatwasher 3/8in Thin	3	
88	1320031	Clamp (SN 0300030041 to SN 0300042668 Only)	2	
89	3200362	Mount, Rubber Engine (Front)	2	
90	4711400	Flatwasher 1/4in Thin	1	
91	3960468	Seal, Foam Gasket	1	
92	3960469	Seal, Foam Gasket	1	
93	1320060	Clamp, Hose (SN 0300030041 to SN 0300034757 Only)	1	
94	4060805	Flex-Trim 1/4in	2.9ft/0.88m	
95	4060804	Flex-Trim 3/16in (SN 0300030041 to SN 0300067816)	16in/40cm	
96	1060637	Lanyard	1	
97	0641808	Bolt 1/2in-13NC x 1in	2	
98	3311801	Nut 1/2in-13NC	1	
99	4751800	Flatwasher 1/2in Regular	AR	
100	3380429	Panel, Rubber	1	
101	3539957	Plate, Hold Down	2	
102	1320131	Clamp (SN 0300030041 to SN 0300042668 Only)	2	
103		Tuning Tube Weldment Options:	1	
	4845394	SN 0300030041 to SN 0300042668		
	4567815	SN 0300042668 to SN 0300068000		
104	2720423	Hose (Prior to SN 0300042668 Only)	1	
105	0641826	Bolt 1/2in-13NC x 3-1/4in	2	
106	4740274	Washer, Snubbing	4	
107	3570238	Plate, Switch Mounting (UL Machines Only)	1	
108	2180703	Fitting, 90 (UL Machines Only)	1	
109	2221023	Fitting, Union (UL Machines Only)	1	
110		Hose (UL Machines Only) Options:	1.66ft/0.6m	
	Use 2720058	SN 0300030041 to SN 0300064780 (was p/n 2720339)		
	2720058	SN 0300064780 to SN 0300068000		
111	2221028	Fitting, Union (UL Machines Only)	1	
112	4360256	Switch, Battery Disconnect (UL Machines Only)	1	
113	1703476	Decal, battery Disconnect (UL Machines Only)	1	
114	4567576	Spacer, Tube (UL Machines Only)	1	
115	4567404	Tubing, Fuel (UL Machines Only)	1	
116	4567403	Tubing, Fuel (UL Machines Only)	1	
117	4567574	Tubing, Fuel (UL Machines Only)	1	
118	4567580	Tubing, Fuel (UL Machines Only)	1	
119	4567581	Tubing, Fuel (UL Machines Only)	1	
120	4567573	Tubing, Fuel (UL Machines Only)	1	
121	1320245	Clamp (UL Machines Only)	5	
122	1320244	Clamp (UL Machines Only)	5	
123	3931408	Bolt 1/4in-20NC x 1/2in (UL Machines Only)	5	
124	0902417	Bracket, Alternator (UL Machines Only)	1	
125	0160020	Alternator (UL) 72 Amp (UL Machines Only)	1	
126	3580259	Pulley, Alternator (UL Machines Only)	1	
127	4751500	Flatwasher 5/16in Regular (UL Machines Only)	1	
128	3100076	Manifold, Exhaust (UL Machines Only)	1	
129	4567428	Tube, Exhaust (UL Machines Only)	1	
130	0700812	Bolt M8 x 25mm (UL Machines Only)	3	
131	4831900	Lockwasher M8 (UL Machines Only)	3	

SECTION 2 TURNTABLE

FIGURE 2-11. DEUTZ ENGINE INSTALLATION - WITH NOISE REDUCTION (SN 0300030041 TO SN 0300068000) (CONTINUED)

FIG & ITEM #	PART NUMBER	DESCRIPTION	QTY.	REV.
132	4711900	Flatwasher 9/16in Thin	6	
		MUFFLER INSTALLATIONS	Ref	
	0256689	Standard Equipment (Spark Arresting)	Ref	—
	0256690	Optional Equipment (Catalytic)	Ref	—
201		Muffler Options:	1	
	3220103	Spark Arresting		
	3220104	Catalytic		
		Muffler Components:		
		Clamp Options:	1	
	1320176	Saddle Clamp Used on Spark Arresting		
	70001017	Band Clamp Used on Catalytic		
	7024398	Tube, Exhaust	1	
	7024560	Plug, Brass	1	
	0258568	MUFFLER INSTALLATION - UL	Ref	2
251	3220113	Muffler, Spark Arrestor	1	
252	3570754	Plate, Muffler Mount	1	
253	4845799	Weldment, Exhaust Tube	1	
254	3900232	Bolt, Button Head 3/8in-16NC x 1-1/4in	5	
255	4751600	Flatwasher 3/8in Regular	5	
256	3311601	Nut 3/8in-16NC	5	
257	0100011	Compound, Locking	AR	
258	0902472	Bracket	1	
259	4567429	Tube, Exhaust	1	
260	4567430	Tube, Exhaust	1	
261	4567431	Tube, Exhaust	1	
262	3220111	Spark Arrestor	1	
263	0340046	Band, Muffler	2	
264	0641507	Bolt 5/16in-18NC x 7/8in	4	
265	4711500	Flatwasher 5/16in Thin	8	
266	3311505	Locknut 5/16in-18NC	4	
267	4100025	Sleeve	3.5ft/1.06m	
	2000146	ENGINE COMPONENTS (UL & NON-ADE MACHINES)	Ref	
351		Fuel Filter/Water Separator options:	1	
	7016328	Element, Filter (Thumbscrew Mounted) (was p/n 7016639)		
	7020023	Element, Filter (Spin-On) (was p/n 7012598)		
352	7000663	Alternator (was p/n 7016329, 7020436 & 7020410)	1	
353	7016330	Switch, Oil Pressure (Not Shown)	1	
	7020025	Switch, Oil Temperature (Not Shown)		
354	7016331	Filter, Oil (was p/n 7016641)	1	
	See Note	Head, Oil Filter (Note: Not Available for Purchase.)	1	
	70002813	Seal, Oil Filter Head to Engine Block	1	
355	7016332	Starter	1	

SECTION 2 TURNTABLE

SECTION 2 TURNTABLE

FIGURE 2-11. DEUTZ ENGINE INSTALLATION - WITH NOISE REDUCTION (SN 0300030041 TO SN 0300068000) (CONTINUED)

FIG & ITEM #	PART NUMBER	DESCRIPTION	QTY.	REV.
356	7016640	Dipstick Kit - Engine Oil (Not Shown)	1	
	70001002	Tube, Dipstick (Not Shown)		
357	7020025	Switch, Engine Temperature (Not Shown)	1	
358	7020414	V-Belt	1	
359	7019607	Throttle Shutdown (was p/n 7016359)	1	
360		Pump, Fuel Injector Options:	4	
		Note: Customer must supply Engine Serial Number before ordering.	Ref	
	7012599	Option 1		
	7020022	Option 2		
	7020427	Option 3		
	7026522	Injector, Fuel (Includes Nozzle Element) (Not Shown)	4	
	7020425	Nozzle (Not Shown)	4	
361	7020463	Fuel, Pump Supply	1	
	7020411	Gasket, Lift Pump	1	
	7020419	Hose, Fuel Return	1	
362	7020431	Gasket, Valve Cover (Not Shown)	1	
363	7020027	Flywheel/Ring Gear Assembly (Not Shown)	1	
	7020477	Ring Gear Only (Not Shown)		
364	7020404	Ring, Sealing - Oil Drain	1	
365		Gasket, Cylinder Head Options (Not Shown):	1	
	70001681	1 Notch		
	70002411	2 Notches		
	70002530	3 Notches		
366	7000699	Gasket, Exhaust (Doughnut) (Fits Between Pipe Flange & Manifold - Not Shown)	1	
367	7020404	Washer, Oil Drain Plug (Not Shown)	1	
368	7027250	Spring, Actuator (Not Shown)	1	
369	7020471	Gasket, Exhaust Manifold to Engine Block (Not Shown)	4	
370	7020465	Cap, Oil Fill (Not Shown)	1	
		ENGINE COMPONENTS (ADE MACHINES)	Ref	
	2000173	Engine Components (SN 0300061927 to SN 0300065608)	Ref	
	2000189	Engine Components (SN 0300065608 to SN 0300068000)	Ref	
451	7016328	Filter, Fuel	1	
	70001423	Bracket, Fuel Filter	1	
452	7000663	Alternator (Non-UL) (was p/n 7020410)	1	
	7020464	Regulator, Voltage	1	
	70003556	Pulley, Alternator (Non-UL Machines)	1	
	70002234	Bracket, Adjustable	1	
453	7020461	Switch, Oil Pressure (Not Shown)	1	
454	7016331	Filter, Oil	1	
455		Starter Options:	1	
	7016332	2000173 Engine (SN 0300061927 to SN 0300065608)		
	7020479	2000189 Engine (SN 0300065508 to SN 0300068000)		
	7026608	Relay, Starter	1	
	7026608	2000189 Engine (SN 0300065508 to SN 0300068000)		
	70001498	Shield, Starter	1	

SECTION 2 TURNTABLE

FIGURE 2-11. DEUTZ ENGINE INSTALLATION - WITH NOISE REDUCTION (SN 0300030041 TO SN 0300068000) (CONTINUED)

FIG & ITEM #	PART NUMBER	DESCRIPTION	QTY.	REV.
456		Dipstick Oil Level Options (Not Shown):	1	
	7020418	2000173 Engine (SN 0300061927 to SN 0300065608)		
	7026631	2000189 Engine (SN 0300065508 to SN 0300068000)		
	See Note	Tube, Dipstick Options (Not Shown): 2000173 Engine (SN 0300061927 to SN 0300065608) (Note: Not Available for Purchase.)	1	
	70001002	2000189 Engine (SN 0300065508 to SN 0300068000)		
	7020487	O-Ring, Dipstick Options (Not Shown):	1	
457	7020168	Switch, Engine Temperature (Not Shown)	1	
	7020480	Ring Seal, Engine Temperature Switch (Not Shown)		
458	7020408	V-Belt	1	
459	7020458	Actuator, Throttle	1	
	7027276	Spring, Actuator (was p/n 7026607)	1	
460	7024318	Fuel, Injection Pump (was p/n 7020462)	4	
	7026522	Injector, Fuel (Includes Nozzle Element) (Not Shown)	4	
461	7020463	Fuel, Pump Supply (was p/n 7024413)	1	
	7020411	Gasket, Lift Pump	1	
462	7020449	Gasket, Intake Manifold (Not Shown)	4	
463	7020471	Gasket, Exhaust Manifold to Engine Block (Not Shown)	4	
	70002200	Stud	AR	
464	70001423	Head, Fuel Filter	1	
465		Flywheel/Ring Gear Assembly Options (Not Shown):	1	
	7020027	2000173 Engine (SN 0300061927 to SN 0300065608)		
	See Note	2000189 Engine (SN 0300065508 to SN 0300068000) (Note: Not Available for Purchase.)		
	See Note	Ring Gear Only Options (Not Shown): 2000173 Engine (SN 0300061927 to SN 0300065608) (Note: Not Available for Purchase.)	1	
	7024579	2000189 Engine (SN 0300065508 to SN 0300068000)		
466	7020431	Gasket, Valve Cover (Not Shown)	1	
467	7020459	Thermostat (Not Shown)	1	
468	7020460	Spring, Compression (Not Shown)	AR	
469	7020465	Cap, Filler (Not Shown)	2	
470	7024565	Sensor, Speed (was p/n 7020481) (Not Shown)	1	
471		Connector, Plug-in Options (Plug into Various Sensors - Oil, Temperature & Pressure - Not Shown):	1	
	See Note	2000173 Engine (SN 0300061927 to SN 0300065608) (Note: Not Available for Purchase.)		
	7020488	2000189 Engine (SN 0300065508 to SN 0300068000)		
472	7020474	Pump, Oil Lube (Not Shown)	1	
	7020468	Ring Seal Oil Pump Options (Not Shown):	1	
473		Gasket, Head Options (Not Shown):	1	
	70001681	1 Notch Gasket		
	70002411	2 Notch Gasket		
	70002530	3 Notches		

SECTION 2 TURNTABLE

SECTION 2 TURNTABLE

SECTION 2 TURNTABLE

FIGURE 2-11. DEUTZ ENGINE INSTALLATION - WITH NOISE REDUCTION (SN 0300030041 TO SN 0300068000) (CONTINUED)

FIG & ITEM #	PART NUMBER	DESCRIPTION	QTY.	REV.
	0256847	PUMP COUPLING INSTALLATION	Ref	—
501	1660234	Coupling, Hayes	1	
502	0080163	Plate, Pump Adapter	1	
503	0700810	Bolt 8mm x 20mm	6	
504	4831900	Lockwasher 8mm	6	
505	Not Used			
506	4832000	Lockwasher 10mm	8	
507	3020021	Grease, Coupling	AR	

SECTION 2 TURNTABLE

FIGURE 2-11. DEUTZ ENGINE INSTALLATION - WITH NOISE REDUCTION (SN 0300030041 TO SN 0300068000) (CONTINUED)

FIG & ITEM #	PART NUMBER	DESCRIPTION	QTY.	REV.

**S
E
C
T
I
O
N

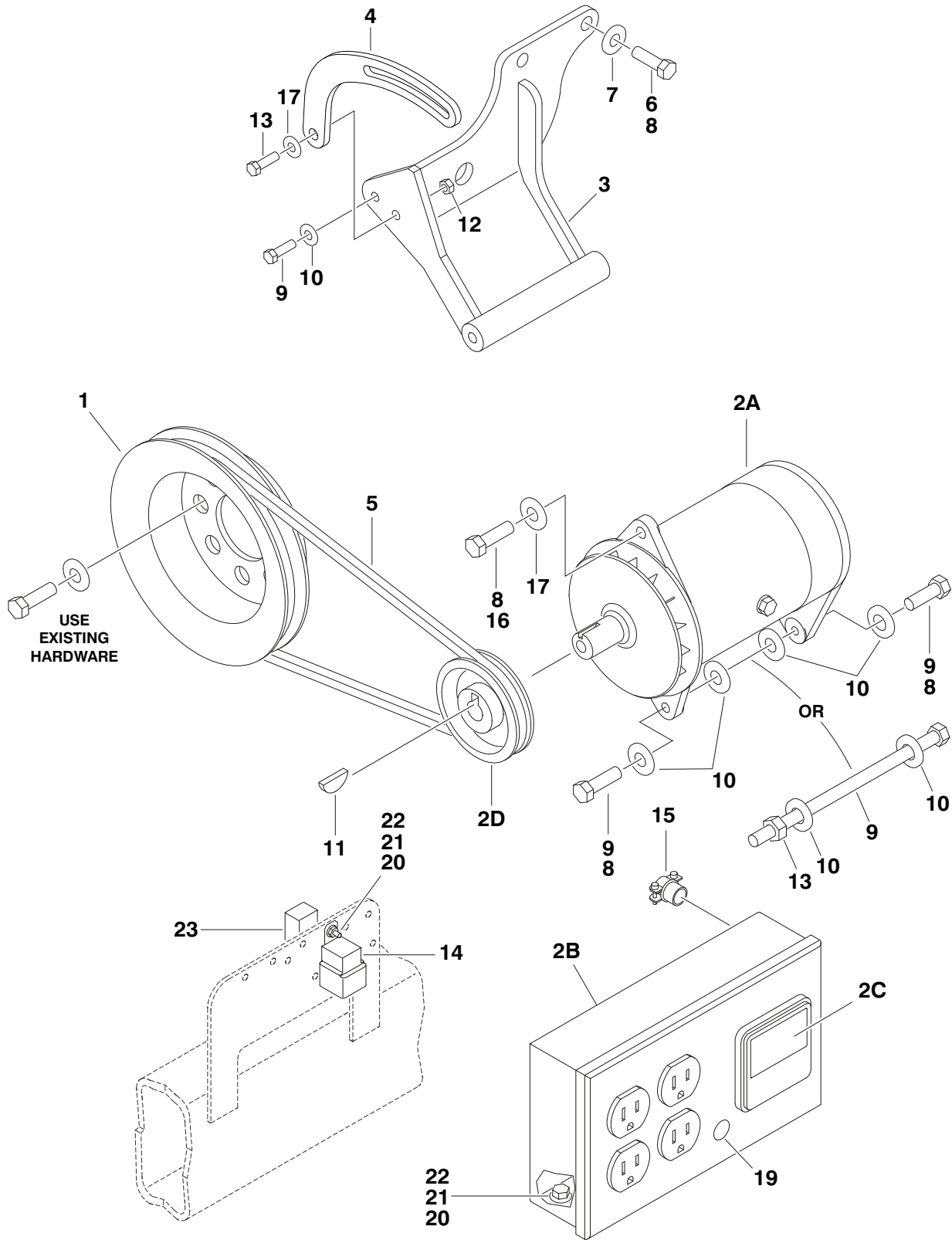
2

T
U
R
N
T
A
B
L
E**

SECTION 2 TURNTABLE

FIGURE 2-12. GENERATOR INSTALLATION - DEUTZ MACHINES (OPTIONAL)

SECTION 2 TURNTABLE



SECTION 2 TURNTABLE

FIGURE 2-12. GENERATOR INSTALLATION - DEUTZ MACHINES (OPTIONAL)

FIG & ITEM #	PART NUMBER	DESCRIPTION	QTY.	REV.
		GENERATOR INSTALLATION OPTIONS:	Ref	
		Prior to SN 0300035129	Ref	
	0255396	110V Generator	Ref	3
	0257160	220V Generator	Ref	2
		SN 0300035129 to SN 0300061927	Ref	
	0257853	110V Generator	Ref	3
	0257857	220V Generator	Ref	4
		SN 0300061927 to SN 0300063909	Ref	
	0270801	110V Generator - ADE System	Ref	1
	0270810	220V Generator - ADE System	Ref	1
		SN 0300063909 to SN 0300068043	Ref	
	0271544	110V Generator - ADE System	Ref	3
	0271547	220V Generator - ADE System	Ref	4
		SN 0300068043 to SN 0300068000	Ref	
	0272480	110V Generator - ADE System	Ref	1
	0272481	220V Generator - ADE System	Ref	1
		Note: Refer to SPECIAL OPTIONS SECTION for Generator 7500W 60Hz Installation	Ref	
1	3580158	Pulley	1	
2		Generator and Control Box Assembly Options:	1	
	2460011	110Volt Assembly (Prior to SN 0300064963)		I
	2460032	110Volt Assembly (SN 0300064963 to SN 0300068000)		C
	2460013	220Volt Assy (Prior to SN 0300064963)		B
	2460034	220Volt Assy (SN 0300064963 to SN 0300066746)		B
	2460013	220Volt Assy (SN 0300066746 to SN 0300068000)		B
2A		Replacement Generator Options:	1	
	7012558	110V Replacement Generator		
	1001100321	220V Replacement Generator		
	7020193	Cable, Generator (Generator to Control Box)	1	
		Armature Options:	1	
	7026199	Armature 110V Generator		
	70000123	Armature 220V Generator		
	7020108	Brush	4	
	7020109	Holder, Brush	4	
	7012513	Cap, Brush Holder	4	
	7012514	Fan	1	
	7020110	Bell, Front	1	
	7020111	Bell Rear	1	
	7020190	Bearing	2	
2B		Control Box Options:	1	
	7003657	110V Control Box		
	70002235	220V Control Box		
		Note: Replacement 110V control box comes with (2) standard receptacle p/n 4460190. Optional industrial twist lock receptacle p/n 4460027 must be ordered separately.	Ref	

SECTION 2 TURNTABLE

SECTION 2 TURNTABLE

FIGURE 2-12. GENERATOR INSTALLATION - DEUTZ MACHINES (OPTIONAL) (CONTINUED)

SECTION 2 TURNTABLE

FIG & ITEM #	PART NUMBER	DESCRIPTION	QTY.	REV.
2B (cont'd)		Breaker, Circuit Options:	1	
	4360542	Breaker 110V		
	70000126	Breaker 220V		
		Receptacle Options:	AR	
	4460190	Receptacle, Standard 110V		
	4460027	Receptacle, Twistlock 110V		
	70000124	Receptacle, Double 220V		
	70000125	Receptacle, Single 220V		
	2920162	Lamp	1	
	7020191	Switch, Toggle	1	
	3520028	Plug, Hole	1	
2C		Voltmeter Options:	1	
	2420203	Voltmeter 110V (was p/n 7010699)		
	7020192	Voltmeter 220V		
2D		Pulley Options:	1	
	3580134	Pulley Prior to SN 0300064963		
	3580276	Pulley SN 0300064963 to SN 0300068000		
	7027887	Key, Woodruff		
3		Bracket, Generator Mounting Options:	1	
	4845184	Prior to SN 0300034200		
	4845531	SN 0300034200 to SN 0300064395		
4		Arm, Adjusting Options:	1	
	0200530	Prior to SN 0300064395		
	0200741	SN 0300064395 to SN 0300068043		
	0200742	SN 0300068043 to SN 0300068000		
5		V-Belt Options:	1	
	0480050	Prior to SN 0300064395		
	0480119	SN 0300064395 to SN 0300064963		
	0480111	SN 0300064963 to SN 0300066746		
	0480119	SN 0300066746 to SN 0300068043		
	0480111	SN 0300068043 to SN 0300068000		
6	0711414	Bolt 14mm x 30mm (Prior to SN 0300064395)	2	
7		Hardware Options:	AR	
	4751900	Flatwasher 9/16in Regular (Prior to SN 0300064395)	2	
	0641610	Bolt 3/8in-16NC x 1-1/4in (SN 0300064395 to SN 0300068000)	1	
8	0100011	Compound, Locking	AR	
9		Bolt Options:	AR	
	0681612	Bolt 3/8in-16NC x 1-1/2in (Prior to SN 0300064395)	3	
	0641772	Bolt 7/16in-14NC x 9in (SN 0300064395 to SN 0300068000)	1	
10	4751600	Flatwasher 3/8in Regular	6	
11	2860012	Key, Woodruff	1	
12	3311605	Locknut 3/8in-16NC	1	
13		Hardware Options:	AR	
	0700819	Bolt 8mm x 55mm (Prior to SN 0300064395)	1	
	3311705	Locknut 7/16in-14NC (SN 0300064395 to SN 0300068000)	1	
14	3740080	Relay	1	
15	4460023	Connector, Strain Relief	1	

SECTION 2 TURNTABLE

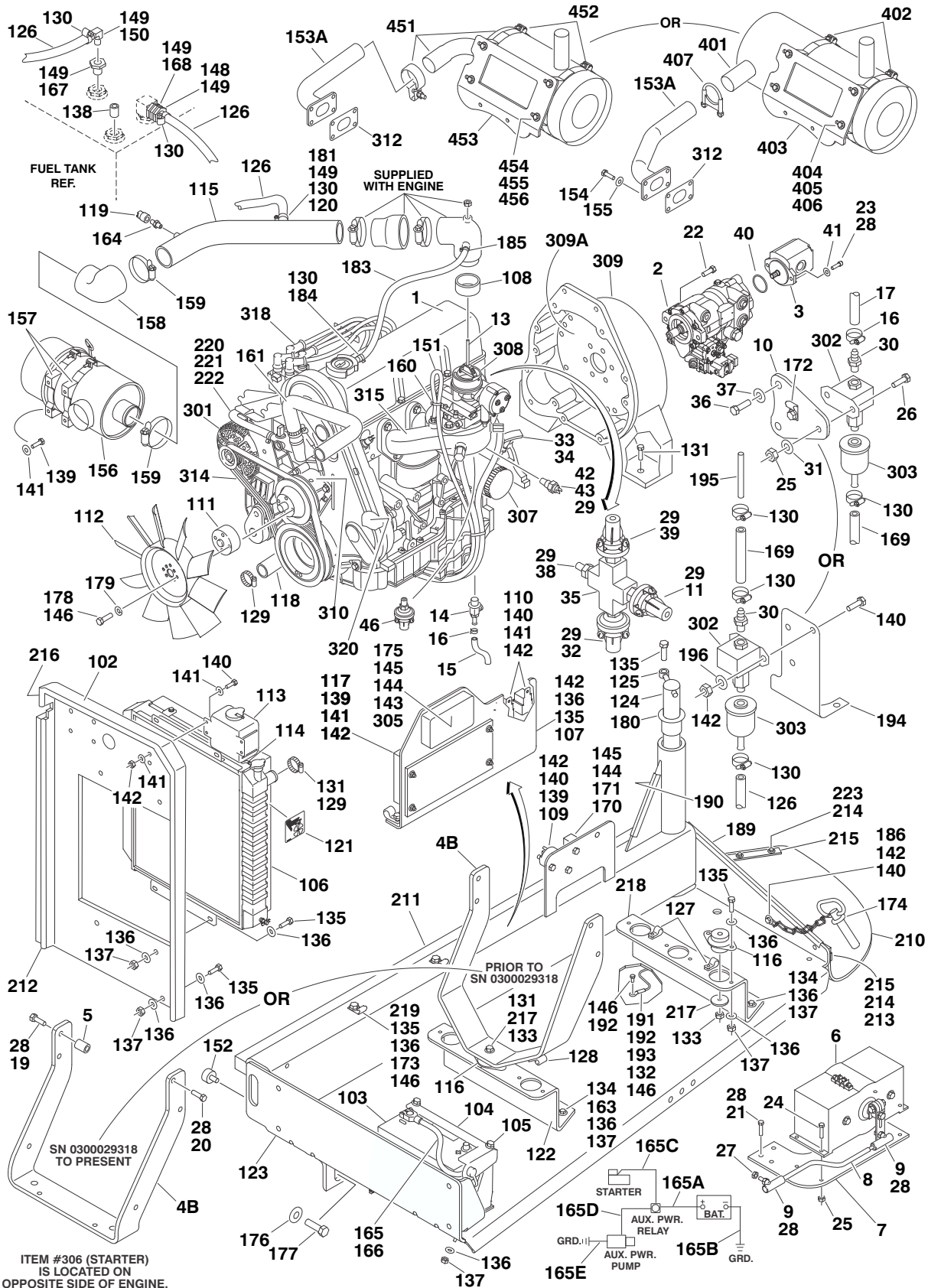
FIGURE 2-12. GENERATOR INSTALLATION - DEUTZ MACHINES (OPTIONAL) (CONTINUED)

FIG & ITEM #	PART NUMBER	DESCRIPTION	QTY.	REV.
16	0641508	Bolt 5/16in-18NC x 1in	1	
17	4751500	Flatwasher 5/16in Regular	AR	
18	Not Used			
19	3520028	Plug, Hole	1	
20	0721006	Bolt #10-24NC x 3/4in	4	
21	3311005	Locknut #10-24NC	4	
22	4751000	Flatwasher #10	9	
23	4360294	Breaker, Circuit - 30 Amp	1	
24	Not Used			
25	4360336	Switch, Toggle (Not Shown - Located at Platform)	1	
26	4740397	Bushing (Not Shown - Located at Platform)	1	
27	4060802	Guard, Switch (Not Shown - Located at Platform)	1	
28	Not Used			
29	2820031	Heatshrink (Not Shown - Located at Platform)	4in/10cm	
30	3251102	Decal (Not Shown - Located at Platform)	1	

SECTION 2 TURNTABLE

SECTION 2 TURNTABLE

FIGURE 2-13. FORD ENGINE INSTALLATIONS - LRG423 (PRIOR TO SN 0300037117)



SECTION 2 TURNTABLE

SECTION 2 TURNTABLE

FIGURE 2-13. FORD ENGINE INSTALLATIONS - LRG423 (PRIOR TO SN 0300037117)

FIG & ITEM #	PART NUMBER	DESCRIPTION	QTY.	REV.
		ENGINE ASSEMBLIES	Ref	
	0255628	Standard Gas Machines Built Prior to SN 0300029318	Ref	8
	0256809	Standard Gas Machines Built SN 0300029318 to SN 0300037117	Ref	3
	0255629	Dual Fuel Machines Built Prior to SN 0300029318	Ref	8
	0256810	Dual Fuel Machines Built SN 0300029318 to SN 0300037117	Ref	3
1		Engine - Ford LRG-423 Options:	1	
	2000126	Prior to SN 0300029318		
	2000149	SN 0300029318 to SN 0300037117		
2		Piston Pump Assembly Options (See PISTON PUMP ASSEMBLY for Breakdown):	1	
	Use 3600260	Prior to SN 0300029318 (was p/n 3600164)		
	3600260	SN 0300029318 to SN 0300068000		
3	3600242	Gear Pump Assembly (See GEAR PUMP ASSEMBLY for Breakdown)	1	
4		Mount, Engine - Front Options:	1	
4A	3200377	Prior to SN 0300029318		
4B	3539972	SN 0300029318 to SN 0300037117		
5	4566605	Tube, Spacer	1	
6	2500005	Actuator, Precision Governor	1	
7	0902088	Bracket, Precision Governor	1	
8	3841255	Rod, Throttle	1	
9	1660157	Coupling, Ball joint	2	
10	0902087	Bracket, Fuel Pump Mounting (Prior to SN 0300029083)	1	
11	4360037	Switch, Oil Pressure	1	
12	2220273	Fitting, Reducer	1	
13	4300056	Stud, Carburetor	1	
14		Valve, Oil Drain Options:	1	
	4640750	14mm (Prior to SN 0300027347)		
	4640989	12mm (SN 0300027347 to SN 0300037117)		
15	2750532	Hose	6in/21cm	
16	1320022	Clamp	3	
17	2720058	Hose, Fuel Line - 5/16in I.D. (Prior to SN 0300029083)	18in/46cm	
18	2180536	Fitting, Barbed	1	
19	0701022	Bolt 10mm-1.5 x 70mm	2	
20	0701014	Bolt 10mm-1.5 x 30mm	2	
21	0700810	Bolt 8mm-1.25 x 20mm	3	
22	0641810	Bolt 1/2in-13NC x 1-1/4in	2	
23	3931620	Capscrew, Socket Head 3/8in-16NC x 1-1/4in	2	
24	0641408	Bolt 1/4in-20NC x 1in	4	
25	3311405	Locknut 1/4in-20NC	5	
26	0641404	Bolt 1/4in-20NC x 1/2in (Prior to SN 0300029083)	2	
27	3321401	Nut 1/4in-28NF	2	
28	0100011	Compound, Locking	AR	
29	0100020	Sealant, Pipe	AR	
30	2220315	Fitting, Barbed (Prior to SN 0300029083)	1	
31	4791400	Starwasher, 1/4in External (Prior to SN 0300029083)	2	

SECTION 2 TURNTABLE

SECTION 2 TURNTABLE

FIGURE 2-13. FORD ENGINE INSTALLATIONS - LRG423 (PRIOR TO SN 0300037117) (CONTINUED)

SECTION 2 TURNTABLE

FIG & ITEM #	PART NUMBER	DESCRIPTION	QTY.	REV.
32	4360065	Switch, Oil Pressure	1	
33	4564281	Tube, Dipstick	1	
34	2420109	Dipstick	1	
35	2220994	Fitting, Cross	1	
36	4791600	Starwasher, 3/8in External (Prior to SN 0300029083)	2	
37	0701015	Bolt M10 x 35mm (Prior to SN 0300029083)	1	
38	2220437	Fitting, Reducer	1	
39	4360405	Switch, Oil Pressure	1	
40	3790152	O-Ring	1	
41	4891600	Flatwasher 3/8in Hardened	2	
42	4360157	Switch, Water Temperature	1	
43	2220250	Fitting, Reducer	1	
44	1320223	Clamp, J-Clip 1/2in (Not Shown) (SN 0300029318 to SN 0300037117)	2	
45	1320222	Clamp, J-Clip 3/8in (Not Shown) (SN 0300029318 to SN 0300037117)	1	
46	4360455	Switch, Temperature 150 Degrees	1	
		ENGINE INSTALLATIONS	Ref	
	0255325	Standard Gas Machines Built Prior to SN 0300029318	Ref	8
	0256752	Standard Gas Machines Built SN 0300029318 to SN 0300037117	Ref	3
	0255328	Dual Fuel Machines Built Prior to SN 0300029318	Ref	8
	0256755	Dual Fuel Machines Built SN 0300029318 to SN 0300037117	Ref	3
101	Not Used			
102	3538724	Mount, Radiator	1	
103	0400075	Battery	1	
104	0181727	Tie-Down	1	
105	0630498	Bolt, Tie-Down	2	
106	3620032	Radiator	1	
107	3538873	Bracket, Controller	1	
108	0080091	Choke Adapter	1	
109	3740067	Relay, Auxiliary Power Relay	1	
110	3740080	Relay, Bosch Relay	2	
111	0080214	Adapter, Fan Spacer	1	
112	2060025	Fan, Suction	1	
113	1580011	Container, Coolant Overflow Container	1	
114	2720058	Hose, Radiator Overflow	1	
115	4845035	Tube, Air Cleaner	1	
116	3200362	Mount, Rubber	4	
117	1600211	Controller, Governor	1	
118		Hose, Lower Radiator (Lower) Options:	1	
	2720393	Prior to SN 0300029318		
	2720435	SN 0300029318 to SN 0300037117		
119	4360392	Switch, Restriction Indicator Switch	1	
120	2220720	Fitting, Barbed	1	

SECTION 2 TURNTABLE

FIGURE 2-13. FORD ENGINE INSTALLATIONS - LRG423 (PRIOR TO SN 0300037117) (CONTINUED)

FIG & ITEM #	PART NUMBER	DESCRIPTION	QTY.	REV.
121	See Note: 1703162	Decal - Fan Blade Options: Prior to SN 0300027660 (Note: Recommend P/N 1703162 in place of original P/N 3250914) SN 0300027660 to SN 0300037117	2	
122	3537288 3570103	Plate, Engine Mount (Front) Options: Prior to SN 0300029318 SN 0300029318 to SN 0300037117	1	
123	4844971 4845404	Tray, Engine Options: Prior to SN 0300029318 SN 0300029318 to SN 0300037117	1	
124	3422446	Pin, Pivot	1	
125	3841143	Pin, Keeper	1	
126	2750532	Hose	5ft/1.5m	
127	1320070	Clamp, Hose (Prior to SN 0300025814)	2	
128	1320060	Clamp, Hose - 0.625	1	
129	1320012	Clamp, Hose, Radiator	4	
130	1320022	Clamp, Hose	11	
131	0641828	Bolt 1/2in-13NC x 3-1/2in	AR	
132	4751800	Flatwasher 1/2in Regular	AR	
133	3311805	Hex Nut 1/2in - 13UNC	AR	
134	0641610	Bolt 3/8in-16NC x 1-1/4in	AR	
135	0641608	Bolt 3/8in-16NC x 1in	AR	
136	4751600	Flatwasher 3/8in Regular	AR	
137	3311605	Locknut 3/8in-16UNC	AR	
138	2200233	Plug, Pipe	1	
139	0641408	Bolt 1/4in-20NC x 1in	12	
140	0641406	Bolt 1/4in-20NC x 3/4in	10	
141	4751400	Flatwasher 1/4in Regular	20	
142	3311405	Locknut 1/4in x 20UNC	20	
143	0721014	Bolt #10-24NC x 1-3/4in	2	
144	4751000	Flatwasher #10 Regular	4	
145	3311005	Hex Nut #10-24NC	4	
146	0100011	Compound, Locking	AR	
147	Not Used			
148	2220270	Fitting, Barbed	1	
149	0100020	Sealant, Pipe	AR	
150	2180467	Fitting, 90 Barbed	1	
151	2720271	Vacuum Hose 3/16in	4.5ft/1.4m	
152	0940070	Bumper, Rubber	1	
153		Tube, Exhaust Options:	1	
153A	4845152	Prior to SN 0300029318		
153B	4567071	SN 0300029318 to SN 0300037117		
154	0701012	Bolt 10m x 1.5 x 25 mm	4	
155	4832000	Lockwasher	4	
156		Air Cleaner Assembly Options:	1	
	1340056	Prior to SN 0300029318		
	1340060	SN 0300029318 to SN 0300037117		
	7012664	Filter, Air Cleaner	1	

SECTION 2 TURNTABLE

FIGURE 2-13. FORD ENGINE INSTALLATIONS - LRG423 (PRIOR TO SN 0300037117) (CONTINUED)

SECTION 2 TURNTABLE

FIG & ITEM #	PART NUMBER	DESCRIPTION	QTY.	REV.
157	See Note	Band, Muffler/Air Cleaner Options: Prior to SN 0300025814 (Note: Recommend using P/N 0340041 in place of original P/N 0340002)	2	
	0340041	SN 0300025814 to SN 0300037117		
158	0080201	Fitting, 90 Reducing	1	
159	1320016	Clamp, Worm Gear	3	
160	4240032	Strap, Tie	5	
161		Hose, Radiator (Upper) Options:	1	
	2720394	Prior to SN 0300029318		
	2720436	SN 0300029318 to SN 0300037117		
162	4240099	Strap, Tie	6	
163	4791600	Starwasher 3/8in	AR	
164	2180798	Fitting, Restriction Indicator	1	
165	2901362	Battery Cable Kit	1	
165A	7016800	Cable, Battery (Red)	1	
165B	7016807	Cable, Battery (Black)	1	
165C	7016808	Cable (Red)	1	
165D	7016804	Cable (Red)	1	
165E	7016805	Cable (Black) (Prior to SN 0300027360 Only)	1	
166	4460611	Terminal, Battery Jumper Post	1	
167	2220250	Fitting, Reducer	1	
168	2220273	Fitting, Reducer	1	
169	2720058	Hose 5/16in	15.3ft/4.7m	
170	0721004	Bolt #10-24NC x 1/2in	2	
171	4360294	Breaker, Circuit-30 AMP	1	
172	1320222	Clamp, "J" Clip 3/8in (Prior to SN 0300029083 Only)	AR	
173	1320223	Clamp, "J" Clip 1/2in	AR	
174	3422532	Pin, Hitch	1	
175	1320061	Clamp	1	
176	0642010	Bolt 5/8in-11NC x 1-1/4in	1	
177	4752000	Flatwasher 5/8in Regular	1	
178	0700819	Bolt M8 x 1.25 x 55mm	4	
179	4831900	Lockwasher M8	4	
180	0961986	Bearing, Flange	2	
181	2200221	Plug, Pipe	1	
182	1701542	Decal - Gasoline (Not Shown - Located Near Tank)	1	
183	2720160	Hose	18in/46cm	
184	4562516	Tube	1	
185	1320032	Clamp, Hose	1	
186	4711400	Flatwasher, 1/4in Thin	1	
187	4566986	Tube (Prior to SN 0300030043 Only)	1	
188	1320019	Clamp, Exhaust (Prior to SN 0300029318)	1	
189		Flex-Trim Options:	16in/41cm	
	4060805	1/4in (SN 0300025814 to SN 0300029318)		
	4060806	5/16in (SN 0300029318 to SN 0300037117)		
190	4060804	Flex-Trim 3/16in (SN 0300025814 to SN 0300037117)	19in/49cm	
191	1060637	Cable, Lanyard (SN 0300027103 to SN 0300037117)	1	
192	1641808	Bolt 1/2in-13NC x 1in (SN 0300027103 to SN 0300037117)	2	

SECTION 2 TURNTABLE

FIGURE 2-13. FORD ENGINE INSTALLATIONS - LRG423 (PRIOR TO SN 0300037117) (CONTINUED)

FIG & ITEM #	PART NUMBER	DESCRIPTION	QTY.	REV.
193	3311801	Hex Nut 1/2in-13 NC (SN 0300027103 to SN 0300037117)	1	
194	3570104	Plate, Fuel Pump Mounting (SN 0300029083 to SN 0300037117)	1	
195	4567169	Tube, Fuel (SN 0300029083 to SN 0300037117)	1	
196	4791400	Starwasher 1/4in (SN 0300029083 to SN 0300037117)	2	
197 to 209	Not Used			
210	3380429	Panel, Rubber (SN 0300029318 to SN 0300037117)	1	
211	3960468	Seal, Foam Gasket (SN 0300029318 to SN 0300037117)	1	
212	3960469	Seal, Foam Gasket (SN 0300029318 to SN 0300037117)	1	
213	0641508	Bolt 5/16in-18NC x 1in (SN 0300029318 to SN 0300037117)	3	
214	3311505	Locknut 5/16in-18NC (SN 0300029318 to SN 0300037117)	6	
215	3539957	Plate, Support (SN 0300029318 to SN 0300037117)	AR	
216	3960389	Seal (SN 0300029318 to SN 0300037117)	5ft/15m	
217	4740274	Washer, Snubbing (SN 0300029318 to SN 0300037117)	4	
218		Bracket, Engine Mounting - Rear Options:	1	
	3537288	Prior to SN 0300029318		
	3570133	SN 0300029318 to SN 0300037117		
219	0641606	Bolt 3/8in-16NC x 3/4in (SN 0300030209 to SN 0300037117)	3	
220	4100025	Sleeve, Fiberglass (SN 0300030209 to SN 0300037117)	18in/46cm	
221	1320060	Clamp, Hose (SN 0300030209 to SN 0300037117)	1	
222	4240099	Tie, Strap (SN 0300030209 to SN 0300037117)	2	
223	0641514	Bolt 5/16in-18NC x 1-3/4in (SN 0300030209 to SN 0300037117)	3	
		ENGINE COMPONENTS	Ref	
	2000126	Prior to SN 0300029318	Ref	
	2000149	SN 0300029318 to SN 0300037117	Ref	
301	7012680	Alternator	1	
302	7016600	Fuel Pump Assembly	1	
	7000884	Solenoid, Fuel	1	
303	7016601	Filter, Fuel	1	
304	7012682	Harness, Engine Wiring (Not Shown) (was p/n 7019922)	1	
305	7012681	Module, Ignition	1	
306	7012679	Starter (was p/n 7000868)	1	
	7025145	Solenoid, Start	1	
307	7021869	Filter, Oil (was p/n 7014501)	1	
308	7012690	Carburetor (Standard Gas & LP)	1	
	7019933	Rebuilt Kit - Carburetor	1	
	7023471	Float Assembly	1	
	7024321	Gasket, Carburetor (Top)	1	
	7000646	Gasket, Carburetor	1	
	7016605	Choke, Automatic	1	
	7012683	Spring	1	

SECTION 2 TURNTABLE

SECTION 2 TURNTABLE

FIGURE 2-13. FORD ENGINE INSTALLATIONS - LRG423 (PRIOR TO SN 0300037117) (CONTINUED)

SECTION 2 TURNTABLE

FIG & ITEM #	PART NUMBER	DESCRIPTION	QTY.	REV.
309	7020120	Bell Housing	1	
	7022180	Ring Gear	1	
		Flywheel & Coupling Assembly	AR	
	1660218	Flywheel & Coupling Assembly - 13 Tooth Pump (2000126 Engine Prior to SN 0300029318)	1	
309A	1660249	Coupling - 13 Tooth Pump (Original Equipped) (was p/n 7012656) (2000126 Engine Prior to SN 0300029318)	1	
	7019976	Flywheel & Coupling Assembly - 15 Tooth Pump (2000149 Engine SN 0300029318 SN 0300037117)	1	
	1660250	Coupling, Pump - 15 Tooth Pump (2000149 Engine SN 0300029318 SN 0300037117) (was p/n 7016662)	1	
310	7022153	Water Pump Assembly (was p/n 7016638)	1	
311	Not Used			
312	70002307	Gasket, Exhaust (Manifold to Pipe)	1	
	7022143	Gasket, Exhaust (Manifold to Head) (Not Shown)	1	
313	4360157	Switch, Water Temperature (Not Shown)	1	
314	7019921	Belt	1	
	7019929	Pulley, Idler (Tensioner Assembly)	1	
315	7025126	Manifold, Intake (was p/n 7019923)	1	
316	7019924	Manifold, Exhaust (Not Shown)	1	
317	7019925	PCV Valve (Not Shown)	1	
318	7019930	Coil, Ignition	1	
	7019931	Wire Set - Spark Plug	1	
	7019932	Plug, Spark	4	
319	7022178	Sensor, Crankshaft (Not Shown)	1	
320	7022150	Belt, Timing	1	
		MUFFLER INSTALLATIONS (Prior to SN 0300029318)	Ref	
	0255864	Standard Spark Arresting	Ref	—
	0255865	Optional Catalytic	Ref	—
401		Muffler Options:	1	
	3220097	Standard Spark Arresting		
	3220098	Optional Catalytic		
402	0340041	Band	2	
403	0902212	Bracket, Muffler	1	
404	0641508	Bolt 5/16in-18NC x 1in	4	
405	4711500	Flatwasher 5/16in Thin	8	
406	3311505	Locknut 5/16in-18NC	4	
407	1320019	Clamp, Exhaust	1	
		MUFFLER INSTALLATIONS (SN 0300029318 to SN 0300037117)	Ref	
	0256685	Standard Spark Arresting	Ref	2
	0256686	Optional Catalytic	Ref	—
451		Muffler Options:	1	
	3220105	Standard Spark Arresting		
	3220106	Optional Catalytic		

SECTION 2 TURNTABLE

FIGURE 2-13. FORD ENGINE INSTALLATIONS - LRG423 (PRIOR TO SN 0300037117) (CONTINUED)

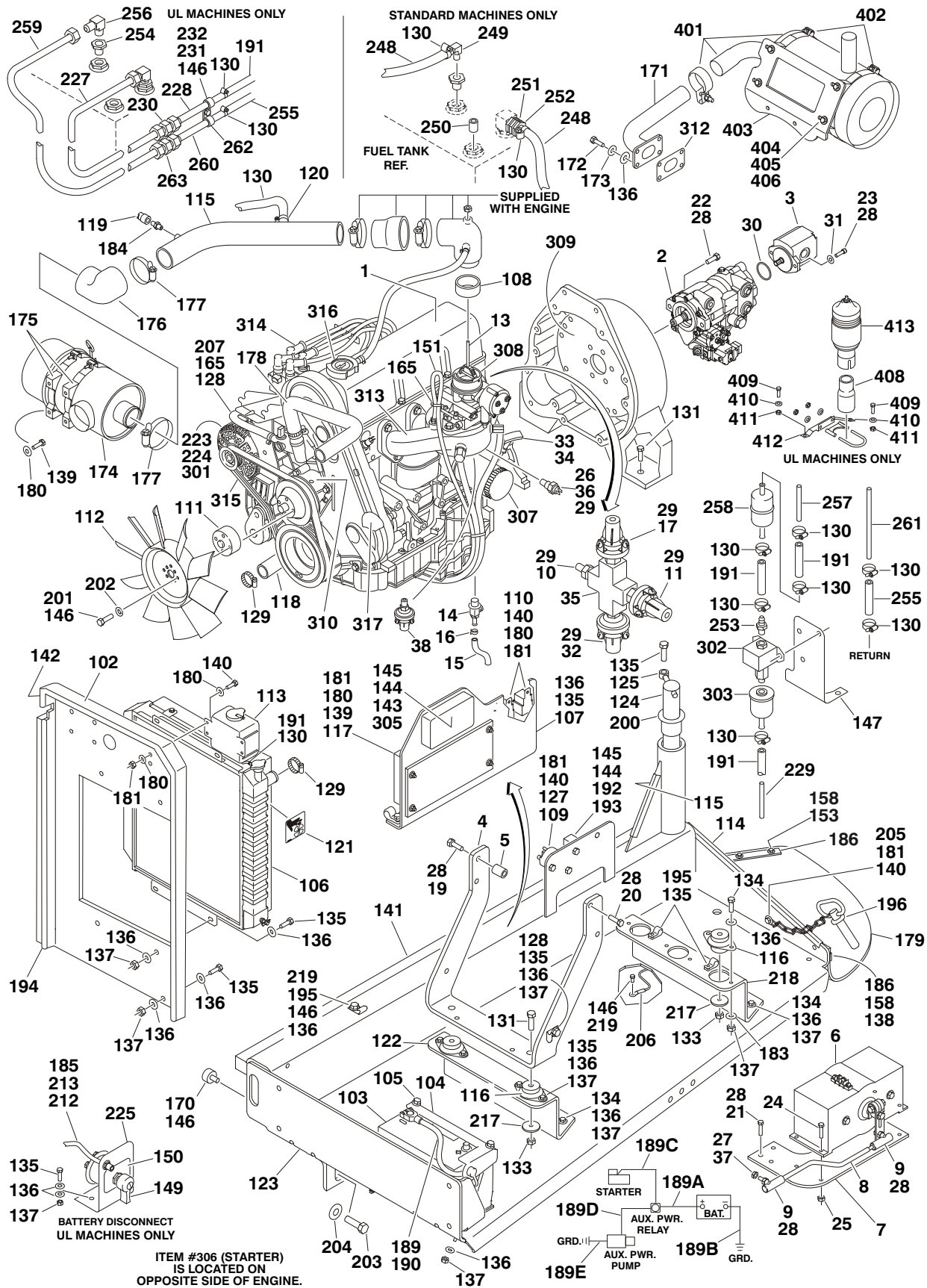
FIG & ITEM #	PART NUMBER	DESCRIPTION	QTY.	REV.
452	0340046	Band	2	
453	0902309	Bracket, Muffler	1	
454	0641507	Bolt 5/16in-18NC x 7/8in	4	
455	4711500	Flatwasher 5/16in Thin	8	
456	3311505	Locknut 5/16in-18NC	4	
457	4567073	Tube, Exhaust	1	

SECTION 2 TURNTABLE

SECTION 2 TURNTABLE

FIGURE 2-14. FORD ENGINE INSTALLATIONS - LRG425 WITH CARBURETOR (SN 0300037117 TO SN 0300068000)

SECTION 2 TURNTABLE



SECTION 2 TURNTABLE

FIGURE 2-14. FORD ENGINE INSTALLATIONS - LRG425 WITH CARBURETOR (SN 0300037117 TO SN 0300068000)

FIG & ITEM #	PART NUMBER	DESCRIPTION	QTY.	REV.
	0257992	ENGINE ASSEMBLY	Ref	4
1		Engine - Ford LRG-425 Options:	1	
	2000156	SN 0300037117 to SN 0300039820		
	2000160	SN 0300039820 to SN 0300068000		
2		Piston Pump Assembly Options (See PISTON PUMP ASSEMBLY for Breakdown):	1	
	Use 3600260	SN 0300037117 to SN 0300029318 (was p/n 3600164)		
	3600260	SN 0300029318 to SN 0300068000		
3	3600242	Gear Pump Assembly (See Gear Pump Assembly for Breakdown)	1	
4	3539972	Plate, Engine Mounting - Front	1	
5	4566605	Tube, Spacer	1	
6	2500005	Actuator, Precision Governor	1	
7	0902088	Bracket, Precision Governor	1	
8	3841255	Rod, Throttle	1	
9	1660157	Coupling, Ball joint	2	
10	2220437	Fitting, Reducer	1	
11	4360037	Switch, Oil Pressure	1	
12	2220273	Fitting, Reducer	1	
13	4300056	Stud, Carburetor	1	
14	4640989	Valve, Oil Drain	1	
15	2750532	Hose	6in/21cm	
16	1320022	Clamp	2	
17	4360405	Switch, Oil Pressure	1	
18	2180536	Fitting, Barbed	1	
19	0701022	Bolt 10mm-1.5 x 70mm	2	
20	0701014	Bolt 10mm-1.5 x 30mm	2	
21	0700810	Bolt 8mm-1.25 x 20mm	3	
22	0641812	Bolt 1/2in-13NC x 1 1/2in	4	
23	3931620	Capscrew, Socket Head 3/8in-16NC x 1-1/4in	2	
24	0641408	Bolt 1/4in-20NC x 1in	4	
25	3311405	Locknut 1/4in-20NC	5	
26	2220250	Fitting, Reducer	1	
27	3321401	Nut 1/4in-28NF	2	
28	0100011	Compound, Locking	AR	
29	0100020	Sealant, Pipe	AR	
30	3790152	O-Ring	1	
31	4891600	Flatwasher 3/8in Hardened	2	
32	4360065	Switch, Oil Pressure	1	
33	4564281	Tube, Dipstick	1	
34	2420187	Dipstick	1	
35	2220994	Fitting, Cross	1	
36	4360157	Switch, Water Temperature	1	
37	4751000	Flatwasher #10 Regular	2	
38	4360455	Switch, Temperature	1	
39	1320223	Clamp, J-Clip 1/2in	3	
39	1320222	Clamp, J-Clip 3/8in	1	

SECTION 2 TURNTABLE

SECTION 2 TURNTABLE

FIGURE 2-14. FORD ENGINE INSTALLATIONS - LRG425 WITH CARBURETOR (SN 0300037117 TO SN 0300068000) (CONTINUED)

FIG & ITEM #	PART NUMBER	DESCRIPTION	QTY.	REV.
		ENGINE INSTALLATIONS	Ref	
	0257995	Standard Gas Machines (Prior to SN 0300048907)	Ref	5
	0258605	LP Gas Machines (UL)	Ref	4
	0257998	Dual Fuel Machines (Prior to SN 0300048907)	Ref	5
	0257727	Dual Fuel Machines (UL)	Ref	6
101	Not Used			
102		Mount, Radiator Options:	1	
	3539872	Standard Machines		
	3571421	UL Machines (SN 0300039457 to SN 0300068000)		
103	0400075	Battery	1	
104	0181727	Tie-Down	1	
105	0630498	Bolt, Tie-Down	2	
106	3620040	Radiator	1	
	7019656	Cap, Radiator	1	
107	3538873	Bracket, Controller	1	
108	0080091	Choke Adapter	1	
109	3740067	Relay, Auxiliary Power Relay	1	
110	3740080	Relay, Bosch Relay	2	
111	0080214	Adapter, Fan Spacer	1	
112	2060025	Fan, Suction	1	
113	1580011	Container, Coolant Overflow Container	1	
114	Not Used			
115	4845035	Tube, Air Cleaner	1	
116	3200362	Mount, Rubber	4	
117	1600211	Controller, Governor	1	
118	2720435	Hose, Lower Radiator (Lower) (was p/n 7019927 & 7016376)	1	
119	4360392	Switch, Restriction Indicator Switch	1	
120	2220720	Fitting, Barbed	1	
121	1703162	Decal - Fan Blade	2	
122	3570103	Plate, Engine Mount (Front)	1	
123	4845404	Tray, Engine	1	
124	3422446	Pin, Pivot	1	
125	3841143	Pin, Keeper	1	
126	0840026	Boot, Electrical (UL Machines Only) (Not Shown)	1	
127	4791400	Starwasher 1/4in	AR	
128	1320060	Clamp, Hose - 0.625	2	
129	1320012	Clamp, Hose, Radiator	4	
130	1320022	Clamp, Hose	AR	
131	0641828	Bolt 1/2in-13NC x 3-1/2in	AR	
132	4751800	Flatwasher 1/2in Regular	AR	
133	3311805	Hex Nut 1/2in - 13UNC	AR	
134	0641610	Bolt 3/8in-16NC x 1-1/4in	AR	
135	0641608	Bolt 3/8in-16NC x 1in	AR	
136	4751600	Flatwasher 3/8in Regular	AR	
137	3311605	Locknut 3/8in-16UNC	AR	
138	0641508	Bolt 5/16in-18NC x 1in	3	
139	0641408	Bolt 1/4in-20NC x 1in	10	

SECTION 2 TURNTABLE

FIGURE 2-14. FORD ENGINE INSTALLATIONS - LRG425 WITH CARBURETOR (SN 0300037117 TO SN 0300068000) (CONTINUED)

FIG & ITEM #	PART NUMBER	DESCRIPTION	QTY.	REV.
140	0641406	Bolt 1/4in-20NC x 3/4in	AR	
141	3960468	Seal, Foam Gasket	1	
142	3960469	Seal, Foam Gasket	1	
143	0721006	Bolt #10-24NC x 3/4in	2	
144	4751000	Flatwasher #10 Regular	AR	
145	3311005	Hex Nut #10-24NC	4	
146	0100011	Compound, Locking	AR	
147	3570104	Plate, Fuel Pump (Not Required on UL Machines with LP)	1	
148	1320017	Clamp	4	
149	4360265	Switch, Battery Disconnect (UL Machines Only)	1	
150	1703476	Decal, Battery Disconnect (UL Machines Only)	1	
151	2720271	Vacuum Hose 3/16in	4.5ft/1.4m	
152	Not Used			
153	0641514	Bolt 5/16in-18NC x 1-3/4in	3	
154 to 157	Not Used			
158	3300505	Locknut 5/16in-18NC	6	
159 to 164	Not Used			
165	4240033	Strap, Tie	5	
166	4240099	Strap, Tie	3	
167 to 169	Not Used			
170	0940070	Bumper, Rubber	1	
171	4567071	Tube, Exhaust	1	
172	0701012	Bolt M10 x 25mm	6	
173	4832000	Lockwasher M10	4	
174		Air Cleaner Assembly Options:	1	
	1340060	Standard Machines		
	7012664	Element	1	
	1340050	UL Machines (SN 0300039457 to SN 0300068000)		
	7010638	Element	1	
175	0340041	Band, Mounting	2	
176	0080201	Elbow, Rubber	1	
177	1320016	Clamp	3	
178	2720436	Hose, Radiator (Upper) (was p/n 7019926 & 7016375)	1	
179	3380429	Panel, Rubber	1	
180	4751400	Flatwasher 1/4in Regular	AR	
181	3311405	Locknut 1/4in-20NC	AR	
182	Not Used			
183	4791600	Starwasher 3/8in	4	
184	2180798	Fitting, Restriction Indicator	1	
185	1703631	Decal, Caution LP Gas (UL Machines W/Dual Fuel Only)	1	
186	3539957	Plate, Support	2	
187	0641507	Bolt 5/16in-18NC x 7/8in	1	
188	4751500	Flatwasher 5/16in Regular	1	
189	2901362	Battery Cable Kit	1	C
189A	7016800	Cable, Battery (Red)	1	
189B	7016807	Cable, Battery (Black)	1	
189C	7016808	Cable (Red)	1	
189D	7016804	Cable (Red)	1	
189E	Not Required			

SECTION 2 TURNTABLE

SECTION 2 TURNTABLE

SECTION 2 TURNTABLE

FIGURE 2-14. FORD ENGINE INSTALLATIONS - LRG425 WITH CARBURETOR (SN 0300037117 TO SN 0300068000) (CONTINUED)

FIG & ITEM #	PART NUMBER	DESCRIPTION	QTY.	REV.
189	2901539	Battery Cable Kit (UL Machines Only)	1	A
189A	7016826	Cable, Battery (Red)	1	
189B	7016807	Cable, Battery (Black)	1	
189C	7016808	Cable (Red)	1	
189D	7016827	Cable (Red)	1	
189E	7016816	Cable (Black)	1	
190	4460611	Terminal, Battery Jumper Post	1	
191	2720058	Hose 5/16in	AR	
192	0721004	Bolt #10-24NC x 1/2in	2	
193	4360294	Breaker, Circuit-30 AMP	1	
194	3960389	Seal	5ft/15m	
195	1320223	Clamp, "J" Clip 1/2in	4	
196	3422532	Pin, Hitch	1	
197	1701542	Decal - Gasoline (Not Shown - Located Near Tank) (Not Required on UL Machines with LP)	1	
198 to 199	Not Used			
200	0961986	Bearing, Flange	2	
201	0700819	Bolt M8 x 1.25 x 55mm	4	
202	4831900	Lockwasher M8	4	
203	0642010	Bolt 5/8in-11NC x 1-1/4in	1	
204	4752000	Flatwasher 5/8in Regular	1	
205	4711400	Flatwasher 1/4in Thin	1	
206	1060637	Cable, Lanyard	1	
207	4100025	Sleeve, Fiberglass	1	
208	Not Used			
209	4845612	Mount, Alternator (UL Machines Only)	1	
210	1641808	Bolt 1/2in-13NC x 1in	2	
211	3311801	Hex Nut 1/2in-13 UNC	1	
212	3790012	O-Ring (UL Machines with Dual Fuel Only)	1	
213	4360336	Switch (UL Machines with Dual Fuel Only)	1	
214	4060805	Flex-Trim	2.9ft/0.88m	
215	4060804	Flex-Trim (Prior to SN 0300067816)	19in/49cm	
216	Not Used			
217	4740274	Washer, Snubbing	4	
218	3570133	Bracket, Engine Mounting (Rear)	1	
219	0641606	Bolt 3/8in-16NC x 3/4in	3	
220	0181942	Angle, Alternator Mount (UL Machines Only) (Not Shown - Located on Opposite Side of Engine)	1	
221	0701010	Bolt M10 x 20mm (UL Machines Only) (Not Shown - Located on Opposite Side of Engine)	1	
222	0641624	Bolt 3/8in-16NC x 3in (UL Machines Only) (Not Shown Located on Opposite Side of Engine)	1	
223	0160020	Alternator 72 Amp (UL Machines Only)	1	
224	3580260	Pulley (UL Machines Only)	1	
225	3570238	Plate, Switch Mounting (UL Machines Only)	1	
226	1320222	J-Clip 3/8in (Not Shown)	1	
227	4567404	Tubing Fuel 5/16in (UL Machines with Dual Fuel Only)	1	
228	4567403	Tubing Fuel 5/16in (UL Machines with Dual Fuel Only)	1	
229	4567215	Tubing Fuel 5/16in (UL Machines with Dual Fuel Only)	1	

SECTION 2 TURNTABLE

FIGURE 2-14. FORD ENGINE INSTALLATIONS - LRG425 WITH CARBURETOR (SN 0300037117 TO SN 0300068000) (CONTINUED)

FIG & ITEM #	PART NUMBER	DESCRIPTION	QTY.	REV.
230	2221023	Fitting (UL Machines with Dual Fuel Only)	1	
231	1320245	Clamp (UL Machines with Dual Fuel Only)	5	
232	3931408	Bolt 1/4in-20NC x 1/2in (UL Machines with Dual Fuel Only)	4	
233 to 247	Not Used			
248	2750532	Hose 3/8in	5ft/1.5m	
249	2180467	Fitting, 90 Barbed	1	
250	2200233	Plug, Pipe	1	
251	2220273	Fitting, Reducer	1	
252	2220270	Fitting, Barbed	1	
253	2220315	Fitting, Barbed	2	
254	2220273	Fitting, Reducer (UL Machines Only)	1	
255	2720271	Hose	2.5ft/0.8m	
256	2180703	Fitting, 90	1	
257	4567730	Tube, Fuel Line	1	
258	2120169	Filter, By-Pass	1	
259	4567580	Tube, Fuel Line (UL Machines Only)	1	
260	4567581	Tube, Fuel Line (UL Machines Only)	1	
261	4567731	Tube, Fuel Line (UL Machines Only)	1	
262	1320244	Clamp (UL Machines Only)	4	
263	2221028	Fitting (UL Machines Only)	1	
		ENGINE COMPONENTS	Ref	
	2000156	SN 0300037117 to SN 0300039820	Ref	
	2000160	SN 0300039820 to SN 0300068000	Ref	
301	7000897	Alternator without Pulley & Regulator	1	
	7019977	Alternator (Includes Regulator & Pulley)	1	
	7019997	Regulator	1	
302		Fuel Pump Assembly Options:	1	
	7019983	Pump (Airtex Brand)		
	7016600	Pump (Facet Brand)		
303	7016601	Filter, Fuel	1	
304	7019980	Harness, Engine Wiring (Not Shown)	1	
305	Use 7023687	Module, Ignition (was p/n 7019961)	1	
306	7012679	Starter	1	
307	Use 7021869	Filter, Oil (was p/n 7014501)	1	
308	Use 7019988	Carburetor (was p/n 7019974)	1	
	7019933	Carburetor Repair Kit	1	
	7027292	Float Assembly	1	
	70000163	Needle, Spring Loaded	1	
	7025122	Base, Carburetor	1	
	Use 70000646	Gasket, Carburetor (was p/n 7019975)	1	
	7024321	Gasket, Carburetor (Top)	1	
	7016605	Choke, Automatic	1	
	7000884	Solenoid, Fuel	1	
309	Use 1660250	Coupling, Pump (15 Tooth) (was p/n 7016662)	1	
	7019976	Flywheel (Not Shown)	1	
	7022180	Ring Gear (Not Shown)	1	
	7020120	Bell Housing	1	

SECTION 2 TURNTABLE

SECTION 2 TURNTABLE

FIGURE 2-14. FORD ENGINE INSTALLATIONS - LRG425 WITH CARBURETOR (SN 0300037117 TO SN 0300068000) (CONTINUED)

FIG & ITEM #	PART NUMBER	DESCRIPTION	QTY.	REV.
310	7022153	Water Pump Assembly	1	
	7019985	Pulley, Water Pump	1	
	7019982	Inlet, Water Pump (Not Shown)	1	
	7022156	Thermostat Assembly (Not Shown)	1	
311	7022178	Sensor, Crank Shaft (Not Shown)	1	
312	70002307	Gasket, Exhaust (Manifold to Pipe)	1	
	7022143	Gasket, Exhaust (Manifold to Head) (Not Shown)	1	
	70219924	Manifold, Exhaust (Not Shown)	1	
313	Use7025126	Manifold, Intake (was p/n 7019923)	1	
	7025125	Gasket, Intake Manifold	1	
314		Spark Plug Options (Not Shown):	4	
	See Note	SN 0300037117 to SN 0300039820 (2000156 Engine) (Note: Not Available for Purchase.)		
	7019932	SN 0300039820 to SN 0300068000 (2000160 Engine)		
		Wire Set, Spark Plug (Not Shown) Options:	1	
	7022157	SN 0300037117 to SN 0300039820 (2000156 Engine)		
	7019931	SN 0300039820 to SN 0300068000 (2000160 Engine)		
	7019930	Coil, Ignition	1	
315	Use 7027402	Belt, Drive (was p/n 7019979)	1	
	7019978	Tensioner, Belt (Not Shown)	1	
316	7022151	Cap, Oil Fill	1	
317	7022150	Belt, Timing	1	
		MUFFLER INSTALLATIONS	Ref	
	0258390	Standard Spark Arresting	Ref	1
	0258391	Optional Catalytic	Ref	1
	0258570	UL Machines	Ref	1
401		Muffler Options:	1	
	3220113	Standard Spark Arresting		
	3220114	Optional Catalytic		
402	0340046	Band	2	
403	0902309	Bracket, Muffler	1	
404	0641507	Bolt 5/16in-18NC x 7/8in	4	
405	4711500	Flatwasher 5/16in Thin	8	
406	3311505	Locknut 5/16in-18NC	4	
407	4567073	Tube, Exhaust	1	
408	4845667	Weldment, Exhaust Tube (UL Machines Only)	1	
409	3900232	Bolt, Button Head 3/8in-16NC x 1-1/4in (UL Machines Only)	5	
410	4751600	Flatwasher 3/8in Regular (UL Machines Only)	7	
411	3311601	Nut 3/8in-16NC (UL Machines Only)	5	
412	0902472	Bracket, Exhaust Support (UL Machines Only)	1	
413	3220111	Spark Arrestor (UL Machines Only)	1	

SECTION 2 TURNTABLE

SECTION 2 TURNTABLE

FIGURE 2-14. FORD ENGINE INSTALLATIONS - LRG425 WITH CARBURETOR (SN 0300037117 TO SN 0300068000) (CONTINUED)

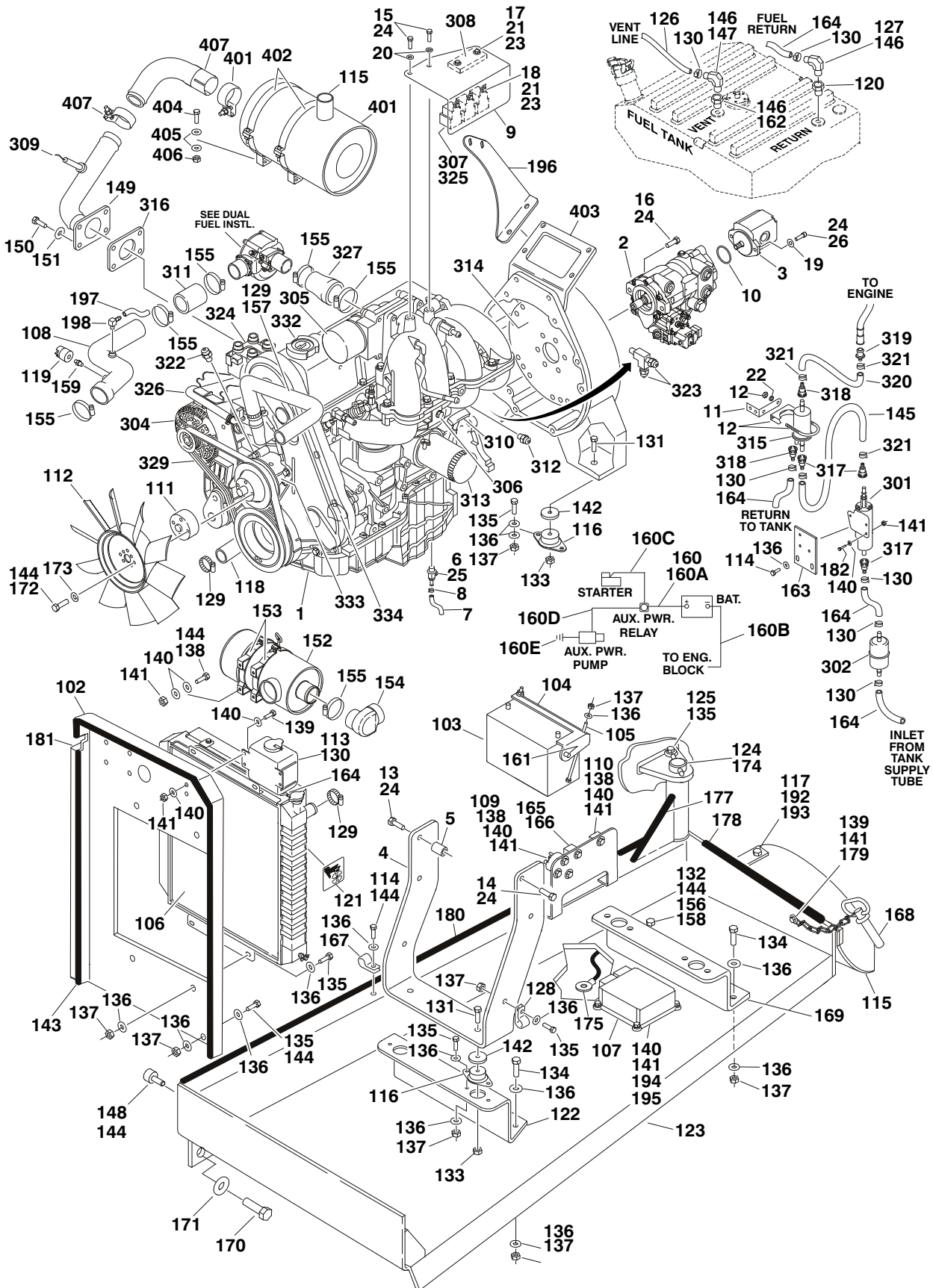
FIG & ITEM #	PART NUMBER	DESCRIPTION	QTY.	REV.

SECTION 2 TURNTABLE

SECTION 2 TURNTABLE

FIGURE 2-15. FORD ENGINE INSTALLATIONS - LRG425 WITH EFI
(SN 0300048907 TO SN 0300068000)

SECTION 2 TURNTABLE



SECTION 2 TURNTABLE

FIGURE 2-15. FORD ENGINE INSTALLATIONS - LRG425 WITH EFI (SN 0300048907 TO SN 0300068000)

FIG & ITEM #	PART NUMBER	DESCRIPTION	QTY.	REV.
		ENGINE ASSEMBLIES	Ref	
	0259759	Standard Gas Machines (SN 0300048907 to SN 0300061927)	Ref	1/A
	0270767	Standard Gas Machines (ADE System) (SN 0300061927 to SN 0300068000)	Ref	2/B
	0259760	Dual Fuel Machines (SN 0300048907 to SN 0300061927)	Ref	1/A
	0270765	Dual Fuel Machines (ADE System) (SN 0300061927 to SN 0300068000)	Ref	1/A
1		Engine - Ford LRG-425 Options:	1	
	2000164	Standard Gas Machines		
	2000172	Standard Gas Machines (ADE System)		
	2000166	Dual Fuel Machines		
	2000174	Dual Fuel Machines (ADE System)		
2	3600260	Piston Pump Assembly (See PISTON PUMP ASSEMBLY for Breakdown)	1	
3	3600242	Gear Pump Assembly (See GEAR PUMP ASSEMBLY for Breakdown)	1	
4	3539972	Plate, Engine Mounting - Front	1	
5	4566605	Tube, Spacer	1	
6	4640989	Valve, Oil Drain	1	
7	2750532	Hose	1ft/30.5cm	
8	1320022	Clamp	1	
9	3571498	Plate, Module Mounting	1	
10	3790152	O-Ring	1	
11	0902539	Bracket, Fuel Filter/Pressure Regulator	1	
12	1320019	Clamp, Exhaust	1	
13	0701022	Bolt M10 x 70mm	2	
14	0701014	Bolt M10 x 30mm	2	
15	0700810	Bolt M8 x 20mm	3	
16	0641812	Bolt 1/2in-13NC x 1-1/2in	2	
17	0721014	Bolt #10-24NC x 1-3/4in	2	
18	0721006	Bolt #10-24NC x 3/4in	3	
19	4891600	Flatwasher 3/8in Hardened	2	
20	4751500	Flatwasher 5/16in Regular	2	
21	4751000	Flatwasher #10 Regular	8	
22	4761500	Lockwasher 5/16in	2	
23	3311005	Locknut #10-24NC	5	
24	0100011	Compound, Locking	AR	
25	0100020	Sealant	AR	
26	3931620	Screw 3/8in-16NC x 1-1/4in	2	

SECTION 2 TURNTABLE

FIGURE 2-15. FORD ENGINE INSTALLATIONS - LRG425 WITH EFI (SN 0300048907 TO SN 0300068000) (CONTINUED)

FIG & ITEM #	PART NUMBER	DESCRIPTION	QTY.	REV.
		ENGINE INSTALLATIONS	Ref	
	0259765	Standard Gas Machines (SN 0300048907 to SN 0300061927)	Ref	5/E
	0270766	Standard Gas Machines (ADE System) (SN 0300061927 to SN 0300068000)	Ref	4/D
	0259766	Dual Fuel Machines (SN 0300048907 to SN 0300061927)	Ref	6/C
	0270764	Dual Fuel Machines (ADE System) (SN 0300061927 to SN 0300068000)	Ref	5/F
101	Not Used			
102	3571692	Mount, Radiator	1	
103		Battery Options:	1	
	0400075	Battery (Wet)		
	7016180	Battery (Dry)		
104	0181727	Battery Hold-Down	1	
105	0630498	Bolt, Tie-Down	2	
106	3620040	Radiator	1	
	7019656	Cap, Radiator	1	
107		Controller, ECM Options:	1	
	1600298	Standard Gas Machines		
	1600314	ADE System Machines (was p/n 7023664)		
	7023686	Update Kit - EPM Module	1	
108		Tube, Air Intake Options:	1	
	4846011	Standard Gas Machines		
	4846046	Dual Fuel Machines		
109	3740067	Relay (Auxiliary Power)	1	
110	3740080	Relay, Bosch (SN 0300048907 to SN 0300061927)	1	
111	0080214	Spacer, Fan	1	
112	2060025	Fan	1	
113	1580011	Tank, Coolant Recovery	1	
114	0641606	Bolt 3/8in-16NC x 3/4in	4	
115	3380429	Panel, Rubber	1	
116	3200362	Mount, Rubber	4	
117	3539957	Plate, Hold-Down	2	
118	2720435	Hose, Radiator - Bottom (was p/ns 7016376 & 7019927)	1	
119	4360392	Indicator, Clogged Filter	1	
120	2220430	Fitting, Reducer	1	
121	1703162	Decal - Fan Blade	2	
122	3570103	Plate, Engine Mount (Front)	1	
123	4845404	Tray Weldment	1	
124		Pin, Pivot Options:	1	
	3422448	SN 0300048907 to SN 0300052863		
	3422446	SN 0300052863 to SN 0300068000		
125	3841143	Pin, Keeper	1	
126	2750532	Hose	5ft/1.52m	
127	2220805	Fitting, Barbed 90	1	
128	1320060	Clamp	1	
129	1320012	Clamp, Hose	4	

SECTION 2 TURNTABLE

SECTION 2 TURNTABLE

FIGURE 2-15. FORD ENGINE INSTALLATIONS - LRG425 WITH EFI (SN 0300048907 TO SN 0300068000) (CONTINUED)

FIG & ITEM #	PART NUMBER	DESCRIPTION	QTY.	REV.
130	1320022	Clamp	8	
131	0641828	Bolt 1/2in-13NC x 3-1/2in	4	
132	4751800	Flatwasher 1/2in Regular	1	
133	3311805	Locknut 1/2in-13NC	4	
134	0641610	Bolt 3/8in-16NC x 1-1/4in	8	
135	0641608	Bolt 3/8in-16NC x 1in	16	
136	4751600	Flatwasher 3/8in Regular	AR	
137	3311605	Locknut 3/8in-16NC	31	
138	0641408	Bolt 1/4in-20NC x 1in	7	
139	0641406	Bolt 1/4in-20NC x 3/4in	6	
140	4751400	Flatwasher 1/4in Regular	22	
141	3311405	Locknut 1/4in-20NC	19	
142	4740274	Washer, Snubbing	4	
143	3960389	Seal	5ft/1.52m	
144	0100011	Compound, Locking	AR	
145	2720472	Hose	1	
146	0100020	Sealant	AR	
147	2180467	Fitting, Barbed 90	2	
148	0940070	Bumper, Rubber	1	
149		Tube, Exhaust Options:	1	
	4567878	Standard Gas Machines		
	4567879	ADE System Machines		
150	0701012	Bolt M10 x 25mm	4	
151	4832000	Lockwasher 10mm	4	
152	1340060	Air Cleaner Assembly	1	
	7012664	Element, Air Cleaner	1	
153	0340041	Band, Air Cleaner	2	
154	0080201	Elbow, Rubber	1	
155	1320016	Clamp	2	
156	3311801	Nut 1/2in-13NC	1	
157	2720436	Hose, Radiator - Top (was p/n 7019926)	1	
158	0641808	Bolt 1/2in-13NC x 1in	2	
159	2180798	Fitting, Restrictor Indicator	1	
160	2901362	Battery Cable Kit	1	C
160A	7016800	Cable, Battery (Red)	1	
160B	7016807	Cable, Battery (Black)	1	
160C	7016808	Cable (Red)	1	
160D	7016804	Cable (Red)	1	
160E	Not Required			
161	4460611	Terminal, Battery Jumper Post	1	
162	2220250	Fitting, Reducer	2	
163	3572414	Plate, Fuel Pump Mounting	1	
164	2720058	Hose, Fuel Line	12ft/3.7m	
165	0701004	Bolt #10-24NC x 1/2in (SN 0300048907 to SN 0300061927)	2	
166	4360294	Breaker, Circuit (Prior to SN 0300061927)	1	
167	1320223	Clamp	3	
168	3422532	Pin, Hitch	1	
169	3570133	Plate, Engine Mount (Rear)	1	

SECTION 2 TURNTABLE

SECTION 2 TURNTABLE

FIGURE 2-15. FORD ENGINE INSTALLATIONS - LRG425 WITH EFI (SN 0300048907 TO SN 0300068000) (CONTINUED)

FIG & ITEM #	PART NUMBER	DESCRIPTION	QTY.	REV.
170	0642010	Bolt 5/8in-11NC x 1-1/4in	1	
171	4752000	Flatwasher 5/8in Regular	1	
172	0700819	Bolt 8mm x 55mm	4	
173	4831900	Lockwasher 8mm	4	
174	0961986	Flange, Bearing	2	
175	1060637	Lanyard	1	
176	Not Used			
177	4060805	Flexible Trim 3/16in	2.9ft/0.88m	
178	4060806	Flexible Trim 5/16in (SN 0300048907 to SN 0300067816)	1.3ft/0.40m	
179	4711400	Flatwasher 1/4in Thin	1	
180	3960468	Seal, Foam 1-1/4in x 1-1/4in x 47-1/4in	1	
181	3960469	Seal, Foam 1-1/4in x 1-1/4in x 32in	1	
182	0641410	Bolt 1/4in-20NC x 1-1/4in	3	
183	4360336	Switch,	1	
184	3790012	O-Ring	1	
185 to 190	Not Used			
191	0641508	Bolt 5/16in-18NC x 1in	3	
192	0641514	Bolt 5/16in-18NC x 1-3/4in	3	
193	3311505	Locknut 5/16in-18NC	6	
194	4568158	Standoff, 1/4in x 2in (SN 0300056936 to SN 0300068000)	4	
195	0641424	Bolt 1/4in-20NC x 3in (SN 0300056936 to SN 0300068000)	4	
196	0902572	Bracket, LP Mounting (Dual Fuel Only) (SN 0300056936 to SN 0300068000)	1	
197	1320032	Clamp (SN 0300056936 to SN 0300068000)	1	
198	2220467	Fitting (SN 0300056936 to SN 0300068000)	1	
		ENGINE COMPONENTS	Ref	
	2000164	Standard Gas Machines (SN 0300048907 to SN 0300061927)	Ref	
	2000172	Standard Gas Machines (ADE System) (SN 0300061927 to SN 0300068000)	Ref	
	2000166	Dual Fuel Machines (SN 0300048907 to SN 0300061927)	Ref	
	2000174	Dual Fuel Machines (ADE System) (SN 0300061927 to SN 68000)	Ref	
301	3600377	Fuel Pump & Isolator Assembly (was p/n 7022133)	1	
	7022134	Harness, Fuel Pump Wiring	1	
302	91083218	Filter, Fuel (was p/n 7022135)	1	
303	7019986	Starter (Not Shown)	1	
304	7019977	Alternator with Pulley & Regulator	1	
	7000897	Alternator without Pulley & Regulator	1	
305		Actuator, Throttle Options:	1	
	7022136	Actuator, Throttle (SN 0300048907 to SN 0300061927)		
	7023655	Actuator, Throttle (SN 0300061927 to SN 0300068000)		
	7023652	Plate, Actuator Adapter	1	
	7023654	Gasket, Actuator to Adapter Plate	1	
	7023653	Bolt (Adapter Plate to Intake Manifold)	2	
	7023656	Bolt (Actuator to Adapter Plate)	4	

SECTION 2 TURNTABLE

SECTION 2 TURNTABLE

FIGURE 2-15. FORD ENGINE INSTALLATIONS - LRG425 WITH EFI (SN 0300048907 TO SN 0300068000) (CONTINUED)

FIG & ITEM #	PART NUMBER	DESCRIPTION	QTY.	REV.
306	7019996	Sensor, Air Temperature (was p/n 7023661)	1	
	7023662	Bracket, Air Temperature Sensor (Not Shown)	1	
307	7023663	Harness, ECM (was p/n 7022137)	1	
308	7022139	Sensor, MAP	1	
309	7019994	Sensor, EGR	1	
310	2420187	Dipstick (was p/n 7022140)	1	
	4564281	Tube, Dipstick (was p/n 7022146)		
311		Horn, Rubber Air Options:	1	
	2720341	SN 0300048907 to SN 0300061927		
	7023658	SN 0300061927 to SN 0300068000		
312	7023637	Switch, Oil Pressure	1	
313	7021868	Filter, Oil (was p/n 7022147, 7022173 & 7014501)	1	
314	1660250	Coupling, Pump (was p/n 7016662)	1	
	7019976	Flywheel (Not Shown)	1	
	7022180	Ring Gear (Not Shown)	1	
	7020120	Housing, Flywheel	1	
315	7019993	Pressure Regulator & Filter Assembly (was p/n 7022163)	1	
316	70002307	Gasket, Exhaust (Manifold to Pipe)	1	
	7022143	Gasket, Exhaust (Manifold to Head) (Not Shown)	1	
317	7022158	Connector	3	
318	7022159	Connector	2	
319	7022160	Connector	1	
320	7022161	Tube, Supply	2	
321	7022162	Clamp	2	
322	7022178	Sensor, Crank	1	
	7022179	Sensor, Camshaft (Not Shown)	1	
323	7022142	Switch, Pressure (Black) (SN 0300048907 to SN 0300061927)	1	
	7023637	Switch, Shutdown (White) (SN 0300048907 to SN 0300061927)	1	
324	7019930	Coil, Ignition	1	
	7022157	Ignition Wire Set	1	
	7019932	Spark Plug (was p/n 7012595)	4	
325	7023613	Relay	3	
326	7023644	Hose, Water Pump (By-Pass)	1	
327	2720341	Hose, Air Outlet (was p/n 7022141)	1	
328	7019925	PCV Valve (Not Shown)	1	
329	7027402	Belt, Drive (was p/n 7019979)	1	
	70002567	Tensioner, Belt	1	
330	7022145	Wire Assembly, TPS Adapter (SN 0300048907 to SN 0300061927) (Not Shown)	1	
	7023657	Wire Assembly, TPS Adapter (SN 0300061927 to SN 0300068000) (Not Shown)	1	
331	7022149	Gasket Kit, Lower Manifold (Not Shown)	1	
	7025124	Gasket Kit, Upper Manifold (was p/n 7022148) (Not Shown)	1	
	7022144	Gasket, Upper Manifold Throttle (Not Shown)	1	
332	7022151	Cap, Oil Filler	1	

SECTION 2 TURNTABLE

SECTION 2 TURNTABLE

FIGURE 2-15. FORD ENGINE INSTALLATIONS - LRG425 WITH EFI (SN 0300048907 TO SN 0300068000) (CONTINUED)

FIG & ITEM #	PART NUMBER	DESCRIPTION	QTY.	REV.
333	7022153	Pump, Water	1	
	7022154	Gasket, Water Pump	1	
	7022155	Sensor, Water Temperature (Not Shown)	1	
	7022164	Sensor, High Coolant Temperature (2000166 Engine) (Not Shown)	1	
	7027411	Unit, Water Sender (2000174 Engine) (Not Shown)	1	
	7022156	Thermostat (Not Shown)	1	
334	7022150	Belt, Timing	1	
	3124114	Service Manual, Ford EFI System Diagnostic	1	
		MUFFLER INSTALLATIONS	Ref	
	0258390	Standard Spark Arresting	Ref	1
	0258391	Optional Catalytic	Ref	1
401		Muffler Options:	1	
	3220113	Standard Spark Arresting		
	3220114	Optional Catalytic		
	70001017	Clamp	1	
402	0340046	Band	2	
403	0902309	Bracket, Muffler	1	
404	0641508	Bolt 5/16in-18NC x 1in	4	
405	4711500	Flatwasher 5/16in Thin	8	
406	3311505	Locknut 5/16in-18NC	4	
407	4567073	Tube, Exhaust	1	
	70001017	Clamp	1	

SECTION 2 TURNTABLE

FIGURE 2-15. FORD ENGINE INSTALLATIONS - LRG425 WITH EFI (SN 0300048907 TO SN 0300068000) (CONTINUED)

FIG & ITEM #	PART NUMBER	DESCRIPTION	QTY.	REV.

**S
E
C
T
I
O
N

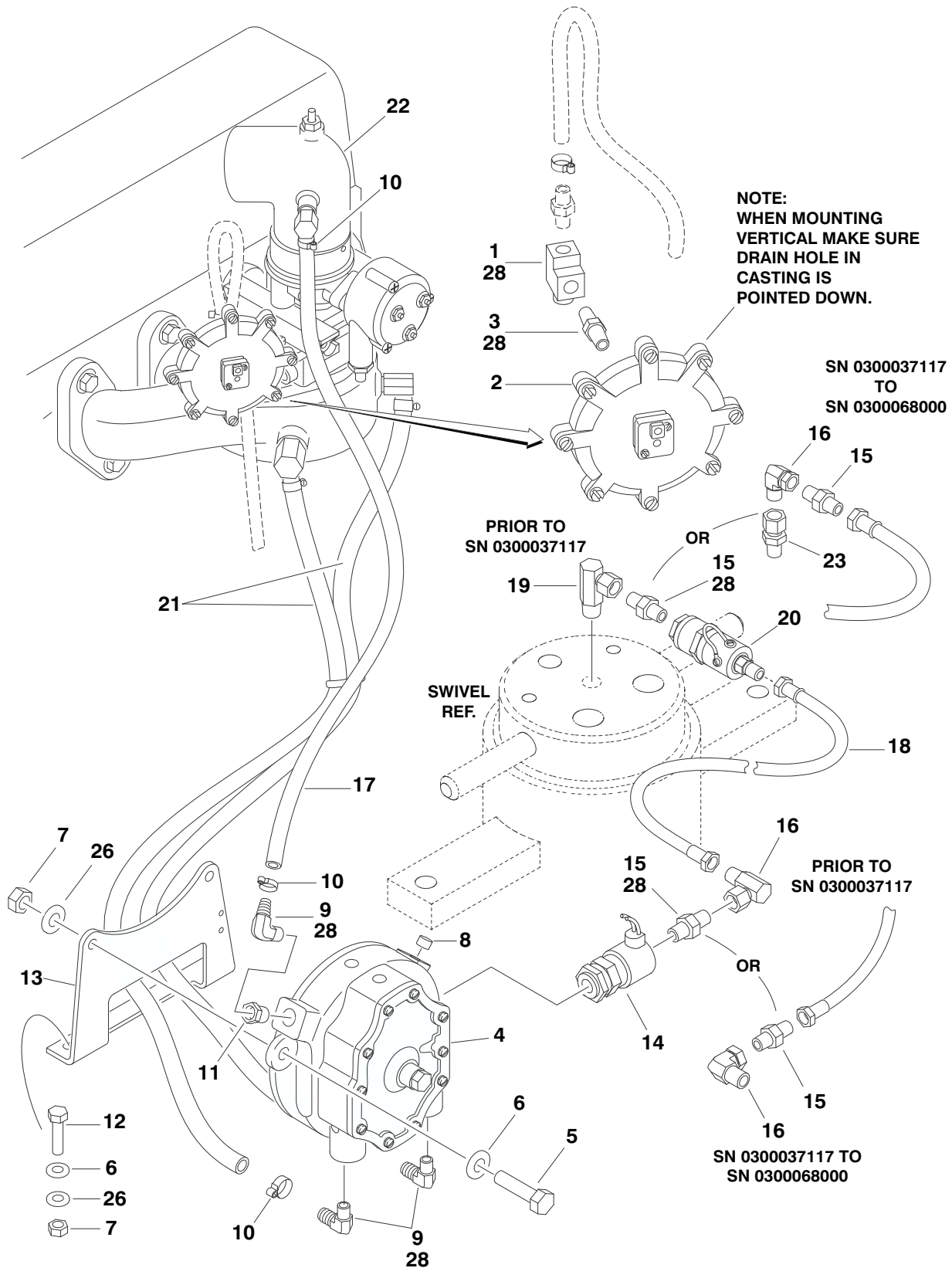
2

T
U
R
N
T
A
B
L
E**

SECTION 2 TURNTABLE

FIGURE 2-16. DUAL FUEL INSTALLATIONS (FORD MACHINE WITH CARBURETOR) (OPTIONAL)

SECTION 2 TURNTABLE



SECTION 2 TURNTABLE

FIGURE 2-16. DUAL FUEL INSTALLATIONS (FORD MACHINE WITH CARBURETOR) (OPTIONAL)

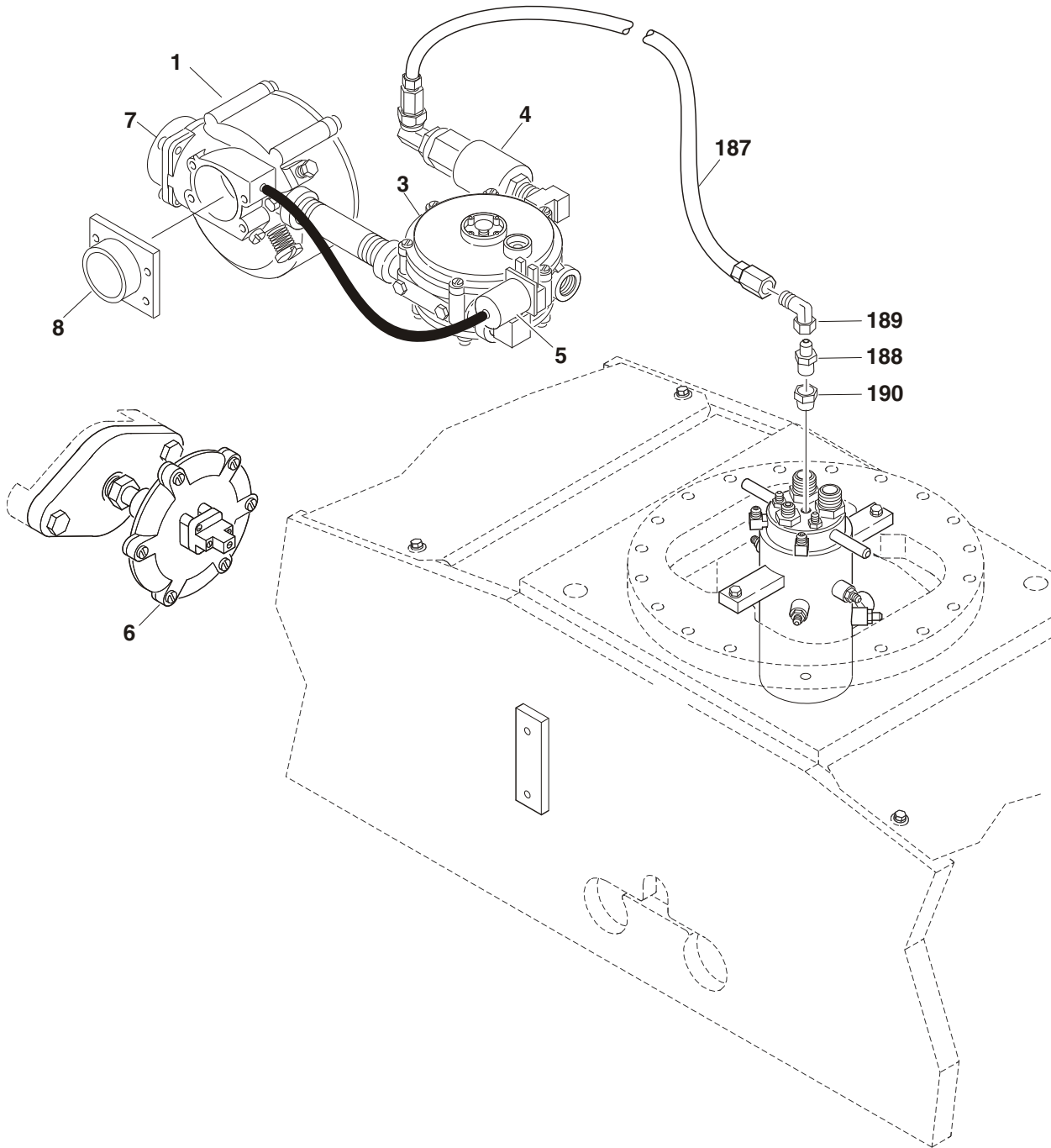
FIG & ITEM #	PART NUMBER	DESCRIPTION	QTY.	REV.
		DUAL FUEL INSTALLATION	Ref	
1	2180360	Fitting, Tee	1	
2	4360188	Switch, Vacuum	1	
3	2180104	Fitting, Nipple	1	
4	4700005	Vaporizer/Regulator	1	
	7017515	Repair Kit - 4700005	1	
5	0641416	Bolt 1/4in-20NC x 2in	2	
6	4751400	Flatwasher 1/4in Regular	8	
7	3311405	Locknut 1/4in-20UNC	4	
8	2200204	Plug, Pipe	1	
9	2220675	Fitting, 90 Barbed	3	
10	1320017	Clamp	4	
11	2220251	Fitting, Reducer	1	
12	0641408	Bolt 1/4in-20NC x 1in	2	
13	0902132	Bracket, Vaporizer	1	
14	2120077	Filter Lock	1	
15	2180418	Fitting, LP	2	
16	2220064	Fitting, 90	2	
17	2720112	Hose, Vapor	AR	
18	2720392	Hose, LP (Prior to SN 0300037117)	1	
	2720144	Hose (SN 0300037117 to SN 0300068000)	1	
19	2220082	Fitting, 90 (Prior to SN 0300037117)	1	
20	4640391	Valve, Fuel Lock (Prior to SN 0300037117)	1	
21	2720042	Hose	30in/76cm	
22	0080124	Adapter, Carb	1	
23	2220005	Fitting, Reducer	1	
24		Decal-LPG (Not Shown - See Decal Installation) Options:	2	
	1701543	Decal - LPG		
	1703911	Decal - LPG (UL Machines with LP Only)		
25	1700818	Decal - Liquid Withdrawal System (Not Shown - See Decal Installation)	2	
26	4791400	Starwasher 1/4in	4	
27	4240099	Strap, Tie (Not Shown)	AR	
28	0100020	Sealant, Pipe	AR	
29	0721006	Bolt #10-24NC x 3/4in (Not Shown UL Machines Only)	2	
30	4751000	Flatwasher #10 Regular (Not Shown UL Machines Only)	2	
31	3311005	Locknut #10-24NC (Not Shown UL Machines Only)	2	
32	3570752	Plate, Shield (Not Shown UL Machines Only)	1	
33	1703909	Decal - GS/LPS (Not Shown UL Machines with LP Only)	1	

SECTION 2 TURNTABLE

FIGURE 2-17. DUAL FUEL INSTALLATIONS (FORD MACHINE OPTION)
(SN 0300048907 TO SN 0300068000)

SECTION 2 TURNTABLE

DUAL FUEL
ENGINE
COMPONENTS.



SECTION 2 TURNTABLE

FIGURE 2-17. DUAL FUEL INSTALLATIONS (FORD MACHINE OPTION) (SN 0300048907 TO SN 0300068000)

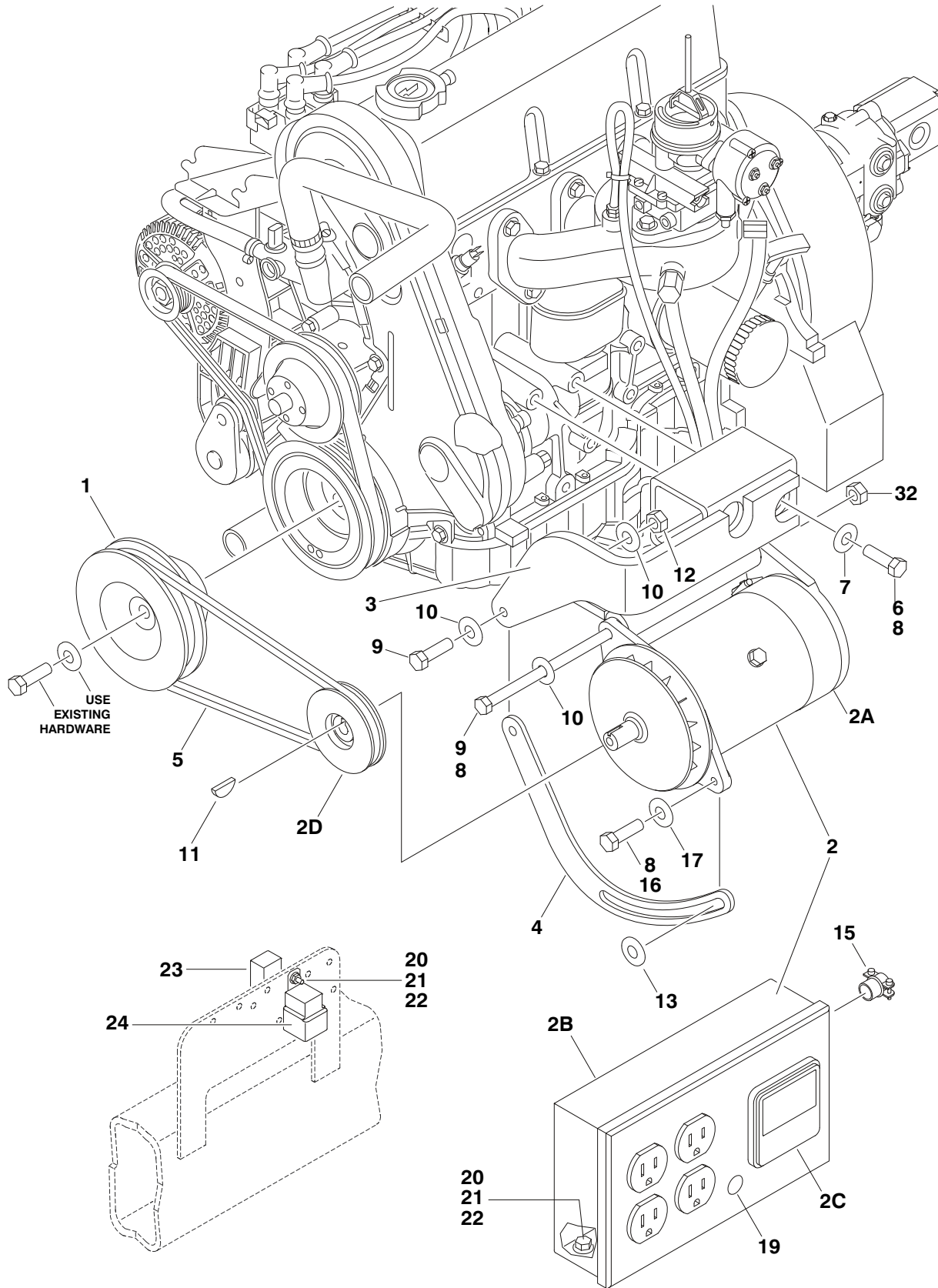
FIG & ITEM #	PART NUMBER	DESCRIPTION	QTY.	REV.
	2000166	DUAL FUEL ENGINE COMPONENTS (PRIOR TO SN 0300061927)	Ref	C
	2000174	DUAL FUEL ENGINE COMPONENTS (ADE SYSTEM) (SN 0300061927 TO SN 0300068000)	Ref	B
	See Note	Dual Fuel Conversion Kit (Note: Includes hose, fittings, clamps and items indented below. For replacement hose, fittings and clamps supply locally.) (Note: Not Available - See Your Ford Dealer.)	1	
1	7022165	Mixer	1	
	7022171	Repair Kit - 7022165 Mixer	1	
	7023645	Gasket, Mixer	1	
2	Not Used			
3	7022167	Convertor	1	
	7022170	Repair Kit - 7022167 Convertor	1	
4	Use 7023680	Filter, LP Shut-Off (was p/n 7022169)	1	
	7023679	Electrical Connector Kit (Includes (1) 2 Position Connector, 2 Pins and 2 Seals)	1	
5	7022168	Valve, Solenoid	1	
6	4360188	Switch, Vacuum	1	
7	7023603	Adaptor	1	
8	7022166	Adaptor	1	
	0259766	Dual Fuel Machines (Prior to SN 0300061927)	Ref	5/C
	0270764	Dual Fuel Machines (ADE System) (SN 0300061927 to SN 0300068000)	Ref	5/F
101 to 186	Not Used			
187	2720392	Hose	1	
188	2180418	Fitting, Straight	1	
189	2220064	Fitting, 90	1	
190		Fitting, Reducer Options:	1	
	2221019	Prior to SN 0300061927		
	2220005	SN 0300061927 to SN 0300068000		

SECTION 2 TURNTABLE

SECTION 2 TURNTABLE

FIGURE 2-18. GENERATOR INSTALLATION - FORD MACHINES (OPTIONAL)

SECTION 2 TURNTABLE



SECTION 2 TURNTABLE

FIGURE 2-18. GENERATOR INSTALLATION - FORD MACHINES (OPTIONAL)

FIG & ITEM #	PART NUMBER	DESCRIPTION	QTY.	REV.
		GENERATOR INSTALLATION OPTIONS:	Ref	
		Prior to SN 0300035129	Ref	
	0255394	110V Generator	Ref	2
	0257159	220V Generator	Ref	—
		SN 0300035129 to SN 0300061927)	Ref	
	0257851	110V Generator	Ref	2
	0257856	220V Generator	Ref	3
		SN 0300061927 to SN 0300063909	Ref	
	0270808	110V Generator - ADE System	Ref	1
	0270809	220V Generator - ADE System	Ref	1
		SN 0300063909 to SN 0300068000	Ref	
	0271545	110V Generator - ADE System	Ref	3
	0271546	220V Generator - ADE System	Ref	4
1	3580250	Pulley	1	
2		Generator and Control Box Assembly Options:	1	
	2460011	110Volt Assembly (Prior to SN 0300064963)		I
	2460032	110Volt Assembly (SN 0300064963 to SN 0300068000)		C
	2460013	220Volt Assy (Prior to SN 0300064963)		B
	2460034	220Volt Assy (SN 0300064963 to SN 0300066746)		B
	2460013	220Volt Assy (SN 0300066746 to SN 0300068000)		B
2A		Replacement Generator Options:	1	
	7012558	110V Replacement Generator		
	1001100321	220V Replacement Generator		
		Note: Replacement Generators come standard with p/n 3580134 pulley. This pulley may not be correct for all applications. Refer to pulley options below.	Ref	
	7020193	Cable, Generator (Generator to Control Box)	1	
		Armature Options:	1	
	7026199	Armature 110V Generator		
	70000123	Armature 220V Generator		
	7020108	Brush	4	
	7020109	Holder, Brush	4	
	7012513	Cap, Brush Holder	4	
	7012514	Fan	1	
	7020110	Bell, Front	1	
	7020111	Bell Rear	1	
	7020190	Bearing	2	
2B		Control Box Options:	1	
	7003657	110V Control Box		
	70002235	220V Control Box		
		Note: Replacement 110V control box comes with (2) standard receptacle p/n 4460190. Optional industrial twist lock receptacle p/n 4460027 must be ordered separately.	Ref	

SECTION 2 TURNTABLE

SECTION 2 TURNTABLE

FIGURE 2-18. GENERATOR INSTALLATION - FORD MACHINES (OPTIONAL) (CONTINUED)

SECTION 2 TURNTABLE

FIG & ITEM #	PART NUMBER	DESCRIPTION	QTY.	REV.
2B (cont'd)		Breaker, Circuit Options:	1	
	4360542	Breaker 110V		
	70000126	Breaker 220V		
		Receptacle Options:	AR	
	4460190	Receptacle, Standard 110V		
	4460027	Receptacle, Twistlock 110V		
	70000124	Receptacle, Double 220V		
	70000125	Receptacle, Single 220V		
	2920162	Lamp	1	
2C	7020191	Switch, Toggle	1	
	3520028	Plug, Hole	1	
		Voltmeter Options:	1	
	2420203	Voltmeter 110V (was p/n 7010699)		
	7020192	Voltmeter 220V		
2D		Pulley Options:	1	
	3580134	Pulley 110V Prior to SN 0300064963		
	3580276	Pulley 110V SN 0300064963 to SN 0300068000		
	3580134	Pulley 220V Prior to SN 0300064963		
	3580276	Pulley 220V SN 0300064963 to SN 0300066746		
	3580134	Pulley 220V SN 0300066746 to SN 0300064963		
3	7027887	Key, Woodruff		
		Bracket, Generator Mounting Options:	1	
	0902210	Prior to SN 0300063909		
	0902756	SN 0300063909 to SN 0300068000		
4	0200547	Arm, Adjusting	1	
5		V-Belt Options:	1	
	0480050	Prior to SN 0300064963		
	0480111	SN 0300064963 to SN 0300066746		
	0480050	SN 0300066746 to SN 0300068000		
6	0701015	Bolt 10mm-1.5 x 35mm	2	
7	4812000	Flatwasher 10mm	2	
8	0100011	Compound, Locking	AR	
9		Bolt Options:	AR	
	0681612	(Prior to SN 0300063909) Bolt 3/8in-16NC x 1-1/2in (Grade 8)	3	
	0641772	(SN 0300063909 to SN 0300068000) Bolt 7/16in-14NC x 9in	1	
10	4751600	Flatwasher 3/8in Regular	6	
11	2860012	Key, Woodruff	1	
12	3311605	Locknut 3/8in-16NC	1	
13	4564417	Spacer, Tube	1	
14	Not Used			
15	4460023	Connector, Strain Relief	1	
16	0641508	Bolt 5/16in-18NC x 1in	1	
17	4751500	Flatwasher 5/16in Regular	2	
18	Not Used			
19	3520028	Plug, Hole	1	
20	0721006	Bolt #10-24NC x 3/4in	4	
21	3311005	Locknut #10-24NC	4	

SECTION 2 TURNTABLE

FIGURE 2-18. GENERATOR INSTALLATION - FORD MACHINES (OPTIONAL) (CONTINUED)

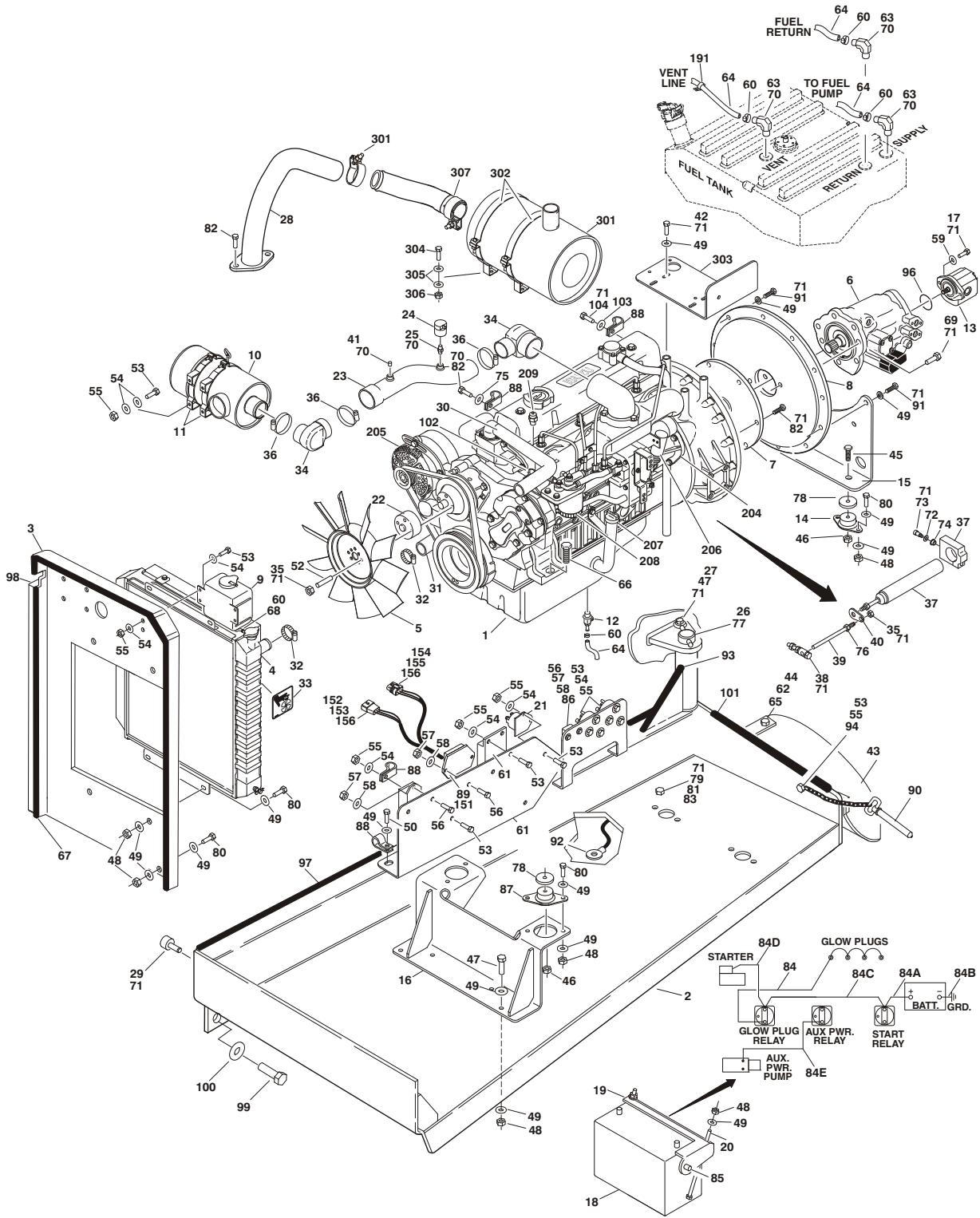
FIG & ITEM #	PART NUMBER	DESCRIPTION	QTY.	REV.
22	4751000	Flatwasher #10 Regular	9	
23	4360294	Breaker, Circuit - 30 Amp	1	
24	3740080	Relay, Bosch	1	
25	4360336	Switch, Toggle (Not Shown - Located at Platform)	1	
26	4740397	Bushing (Not Shown - Located at Platform)	1	
27	4060802	Guard, Switch (Not Shown - Located at Platform)	1	
28	Not Used			
29	2820031	Heatshrink (Not Shown - Located at Platform)	4in/10cm	
30	3251102	Decal (Not Shown - Located at Platform)	1	
31	Not Used			
32	3311705	Locknut 7/16in-14NC (SN 0300063909 to SN 0300068000 Only)	1	

SECTION 2 TURNTABLE

SECTION 2 TURNTABLE

FIGURE 2-19. ISUZU ENGINE INSTALLATION - 4JB1 (SN 0300057373 TO SN 0300068000)

SECTION 2 TURNTABLE



SECTION 2 TURNTABLE

FIGURE 2-19. ISUZU ENGINE INSTALLATION - 4JB1 (SN 0300057373 TO SN 0300068000)

FIG & ITEM #	PART NUMBER	DESCRIPTION	QTY.	REV.
	0270016	ENGINE INSTALLATIONS	Ref	2/B
1	2000151	Engine - Isuzu 4JB1	1	
2	4845404	Tray Weldment	1	
3	3539872	Mount, Radiator	1	
4	3620040	Radiator	1	
	7019656	Cap, Radiator	1	
5	2060025	Fan	1	
6	3600260	Piston Pump Assembly (See PISTON PUMP ASSEMBLY for Breakdown)	1	
7	1660239	Coupling	1	
8	0080181	Plate, Pump Adapter	1	
9	1580011	Tank, Coolant Recovery	1	
10	1340060	Air Cleaner Assembly	1	
	7012664	Element, Air Cleaner	1	
11	0340041	Band, Air Cleaner	2	
12	4641019	Valve, Oil Drain	1	
13	3600242	Gear Pump Assembly (See GEAR PUMP ASSEMBLY for Breakdown)	1	
14	3200401	Plate, Engine Mount (Rear)	2	
15	3570283	Plate, Engine Mounting - Rear	1	
16	4845532	Plate Weldment, Engine Mounting - Front	1	
17	3931620	Screw 3/8in-16NC x 1-1/4in	2	
18		Battery Options:	1	
	0400075	Battery (Wet)		
	7016180	Battery (Dry)		
19	0181727	Battery Hold-Down	1	
20	0630498	Bolt, Tie-Down	2	
21	3740067	Relay (Auxiliary Power)	1	
22	0080230	Spacer, Fan	1	
23	4845035	Tube, Air Intake	1	
24	4360392	Indicator, Clogged Filter	1	
25	2180798	Fitting, Restrictor Indicator	1	
26	3422446	Pin, Pivot	1	
27	3841143	Pin, Keeper	1	
28	4845534	Weldment Tube, Exhaust	1	
29	0940070	Bumper, Rubber	1	
30	2720441	Hose, Radiator - Top	1	
31	2720442	Hose, Radiator - Bottom	1	
32	1320012	Clamp	4	
33	1703162	Decal - Fan Blade	2	
34	0080201	Elbow, Rubber	2	
35	3311401	Nut 1/4in-20NC	4	
36	1320016	Clamp	4	
37	0060033	Kit - Throttle Actuator	1	
38	1660220	Throttle Swivel	1	
39	3841516	Throttle Rod	1	
40	3572601	Plate, Throttle Rod Mount	1	

SECTION 2 TURNTABLE

**FIGURE 2-19. ISUZU ENGINE INSTALLATION - 4JB1 (SN 0300057373 TO SN 0300068000)
(CONTINUED)**

SECTION 2 TURNTABLE

FIG & ITEM #	PART NUMBER	DESCRIPTION	QTY.	REV.
41	2200221	Fitting, Plug	1	
42	0701012	Bolt M10 x 25mm	4	
43	3380429	Panel, Rubber	1	
44	3539957	Plate, Hold-Down	2	
45	0641818	Bolt 1/2in-13NC x 2-1/4in	2	
46	3311805	Locknut 1/2in-13NC	4	
47	0641610	Bolt 3/8in-16NC x 1-1/4in	5	
48	3311605	Locknut 3/8in-16NC	22	
49	4751600	Flatwasher 3/8in Regular	63	
50	0681606	Bolt 3/8in-16NC x 3/4in	3	
51	0641508	Bolt 5/16in-18NC x 1in	3	
52	4300148	Stud, Fan Mounting	4	
53	0641406	Bolt 1/4in-20NC x 3/4in	18	
54	4751400	Flatwasher 1/4in Regular	31	
55	3311405	Locknut 1/4in-20NC	19	
56	0721006	Bolt #10-24NC x 3/4in	5	
57	3311001	Nut #10-24NC	5	
58	4751000	Flatwasher #10 Regular	5	
59	4891600	Flatwasher 3/8in Hardened	2	
60	1320022	Clamp	8	
61	0902527	Bracket, Control Module Mounting	1	
62	3900272	Bolt 5/16in-18NC x 1-3/4in	3	
63	2220313	Fitting, Barbed 90	3	
64	2750532	Hose	31ft/9.4m	
65	3311505	Locknut 5/16in-18NC	6	
66	0641828	Bolt 1/2in-13NC x 3-1/2in	2	
67	3960389	Seal	5ft/1.52m	
68	2720058	Hose, Fuel Line	12ft/3.7m	
69	0641812	Bolt 1/2in-13NC x 1-1/2in	2	
70	0100020	Loctite #56747	AR	
71	0100011	Compound, Locking	AR	
72	4740442	Washer, Belleville	1	
73	3900217	Screw, Shoulder	1	
74	0962031	Bushing, Flange	1	
75	4711600	Flatwasher 3/8in Thin	1	
76	3321602	Nut, Jam 3/8in-24NC	1	
77	0961986	Bushing, Flange	2	
78	4740274	Washer, Snubbing	4	
79	4751800	Flatwasher 1/2in Regular	3	
80	0641608	Bolt 3/8in-16NC x 1in	16	
81	3311801	Nut 1/2in-13NC	1	
82	0701011	Bolt M10 x 22mm	11	
83	0641808	Bolt 1/2in-13NC x 1in	2	
84	2901959	Battery Cable Kit	1	A
84A	7016800	Cable, Battery (Red)	1	
84B	7016831	Cable, Battery (Black)	1	
84C	7016811	Cable (Red)	1	
84D	7016802	Cable (Red)	1	
84E	7016804	Cable (Red)	1	

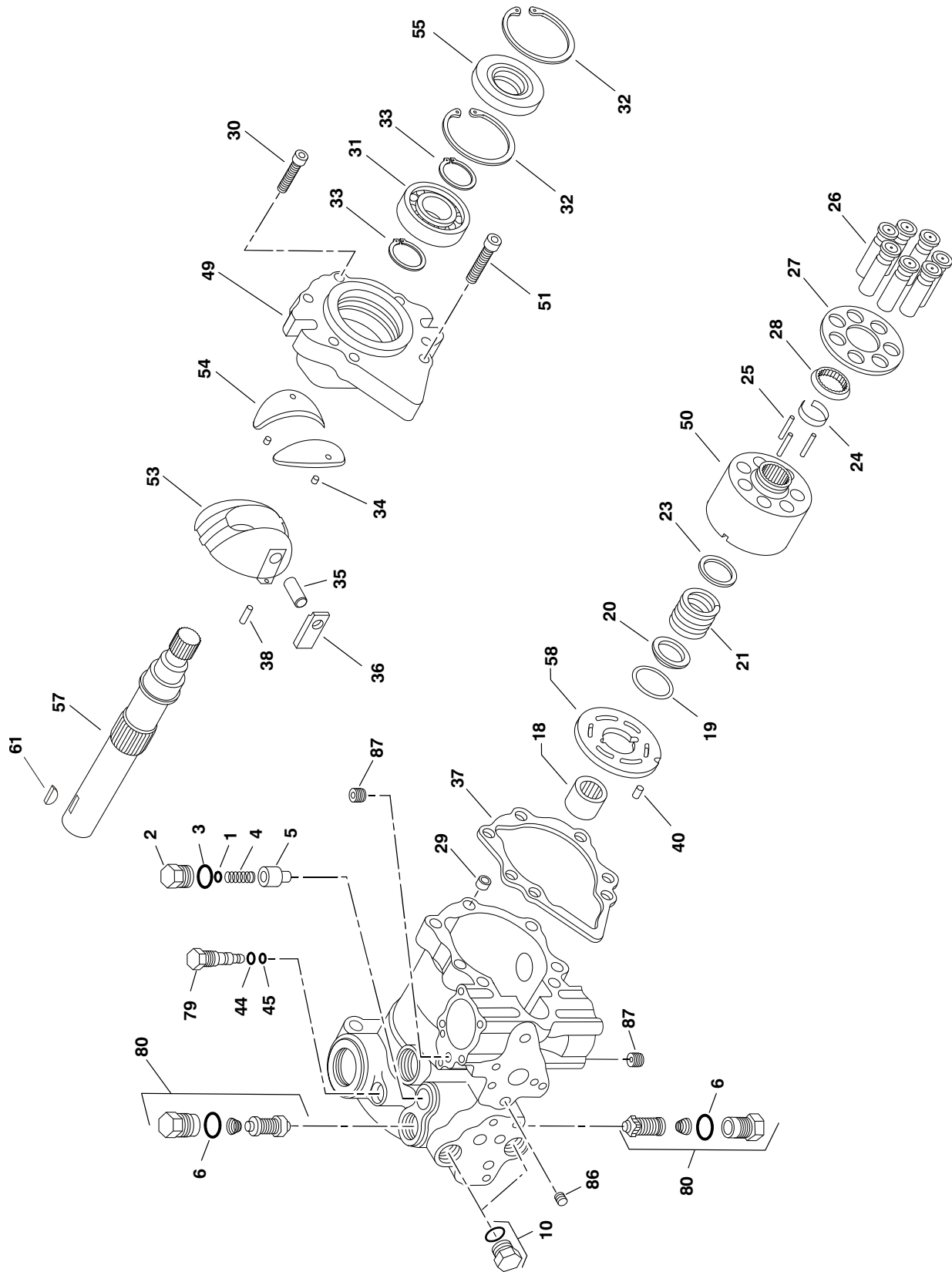
SECTION 2 TURNTABLE

**FIGURE 2-19. ISUZU ENGINE INSTALLATION - 4JB1 (SN 0300057373 TO SN 0300068000)
(CONTINUED)**

FIG & ITEM #	PART NUMBER	DESCRIPTION	QTY.	REV.
85	4460611	Terminal, Battery Jumper Post	1	
86	4360294	Breaker, Circuit	1	
87	3200362	Engine Mount (Front)	2	
88	1320223	Clamp	12	
89	Not Used			
90	3422532	Pin, Hitch	1	
91	0701015	Bolt M10 x 35mm	12	
92	1060637	Lanyard	1	
93	4060805	Flexible Trim 3/16in	1ft/0.3m	
94	4711400	Flatwasher 1/4in Thin	1	
95	1701505	Decal - Diesel	1	
96	3790152	O-Ring	1	
97	3960468	Seal, Foam 1-1/4in x 1-1/4in x 47-1/4in	1	
98	3960469	Seal, Foam 1-1/4in x 1-1/4in x 32in	1	
99	0642010	Bolt 5/8in-11NC x 1-1/4in	1	
100	4752000	Flatwasher 5/8in Regular	1	
101	4060805	Flexible Trim 1/4in	1.6ft/0.49m	
102	1320222	Clamp	1	
103	4711500	Flatwasher 5/16in Thin	1	
104	0700808	Bolt 8mm-1.25 x 16mm	1	
	0259198	TIMER MODULE PLUGS ASSEMBLY	Ref	2/B
151	3740126	Relay, Timer Module	1	
152	4460476	Housing - Receptacle	1	
153	4460475	Pin - Male	3	
154	4460459	Housing - Plug	1	
155	4460457	Socket - Female	3	
156	4460458	Seal	6	
		ENGINE COMPONENTS	Ref	
201	7022127	Switch, Oil Pressure (Not Shown)	1	
202	7022177	Solenoid, Engine Stop (Not Shown)	1	
203	7023634	Filter, Oil (Not Shown)	1	
204	7023635	Starter	1	
205	7023638	Alternator	1	
206	7023639	Solenoid, Shutdown 12Volt	1	
207	7023640	Gauge, Oil Level	1	
208	7023641	Filter, Fuel	1	
209	7023642	Switch, Water Pressure	1	
	0258932	MUFFLER INSTALLATION	Ref	1
301	3220113	Muffler - Spark Arresting	1	
302	0340046	Band	2	
303	3570288	Plate, Muffler Mount	1	
304	0641507	Bolt 5/16in-18NC x 1in	4	
305	4711500	Flatwasher 5/16in Thin	8	
306	3311505	Locknut 5/16in-18NC	4	
307	4567073	Tube, Exhaust	1	

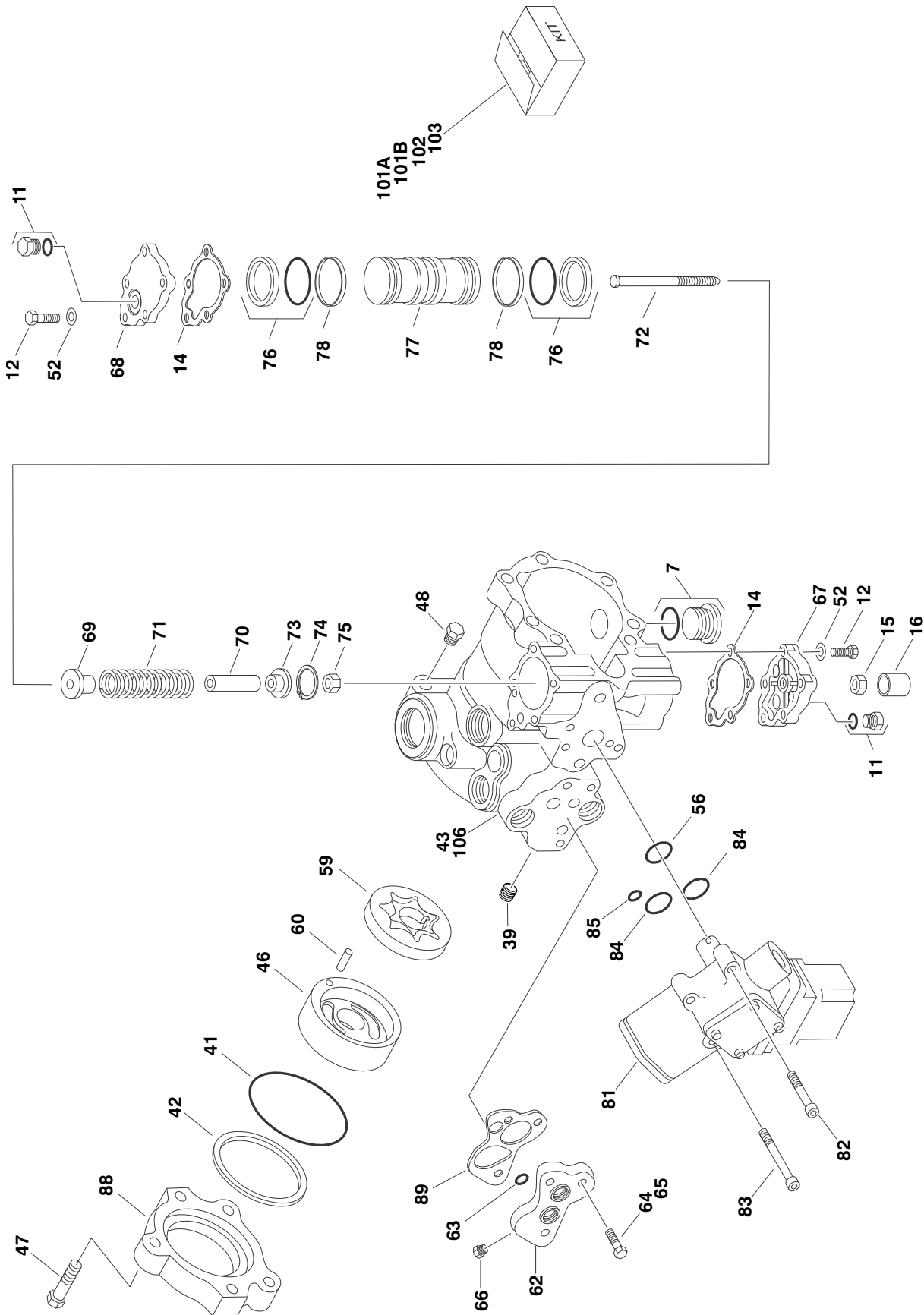
SECTION 2 TURNTABLE

FIGURE 2-20. PISTON PUMP ASSEMBLY



SECTIONS 2 TURNTABLE

SECTION 2 TURNTABLE



SECTION 2 TURNTABLE

SECTION 2 TURNTABLE

FIGURE 2-20. PISTON PUMP ASSEMBLY

SECTION 2 TURNTABLE

FIG & ITEM #	PART NUMBER	DESCRIPTION	QTY.	REV.
		PISTON PUMP ASSEMBLIES	Ref	
	3600164	13 Tooth Pump Spline (Prior to SN 0300029318)	Ref	A
	3600260	15 Tooth Pump Spline (SN 0300029318 to SN 0300068000)	Ref	—
1	7007413	Shim Kit	1	
2	7007414	Plug	1	
3	Use 2900752	O-Ring	1	
4	7007416	Spring, Relief Valve	1	
5	7007417	Valve, Relief	1	
6	Use 2900752	O-Ring	2	
7	7007419	Plug	2	
8	Not Used			
9	Not Used			
10	7007420	Plug	2	
11	7007208	Plug	2	
12	7007421	Screw	10	
13	Not Used			
14	Use 2900752	Gasket, Servo Cover	2	
15	7007423	Nut, Special	1	
16	7007424	Cover, Adjustment	1	
17	Not Used			
18	7007425	Bearing, Needle	1	
19	Use 2900827	Ring, Retaining	1	
20	Use 2900827	Washer	1	
21	Use 2900827	Spring	1	
22	Not Used			
23	Use 2900827	Washer	1	
24	Use 2900827	Retainer	1	
25	Use 2900827	Pin, Slipper Holddown	3	
26	Use 2900827	Piston Assembly	7	
27	Use 2900827	Retainer, Slipper	1	
28	Use 2900827	Guide, Retainer	1	
29	7007435	Pin, Spring	1	
30	7007436	Screw, 12 Point Head	1	
31	7007437	Bearing, Ball	1	
32	7007438	Ring, Retainer	2	
33	7007439	Ring	2	
34	7007440	Pin, Spring	2	
35	7007441	Handle, Pin	1	
36	7007442	Sleeve, Bearing	1	
37	Use 2900752	Gasket, Front Cover	1	
38	7007444	Pin	1	
39	7007445	Plug, Expansion	1	
40	Use 2900827	Pin	1	
41	See Note	O-Ring (Note: Use Item 101A or 102)	1	
42	See Note	Ring, Load Temper (Note: Use Item 101A or 102)	1	
43	7007449	Housing, Pump	1	

SECTION 2 TURNTABLE

FIGURE 2-20. PISTON PUMP ASSEMBLY (CONTINUED)

FIG & ITEM #	PART NUMBER	DESCRIPTION	QTY.	REV.
44	Use 2900752	Ring, Back-Up	1	
45	Use 2900752	O-Ring	1	
46	Use 2900826	Cover, Gerotor	1	
47	7007453	Bolt, Hex	3	
48	7007208	Plug	1	
49	7007454	Cover, Front	1	
50	Use 2900827	Block, Cylinder	1	
51	7007456	Screw	6	
52	7001438	Washer	10	
53	Use 2900827	Swashplate	1	
54	7007458	Journal, Bearing	1	
55	See Note	Seal, Lip (Note: Use Item 101A or 103)	1	
56	Use 2900752	O-Ring	1	
57		Shaft, Main Pump Options:	1	
	7007461	13 Tooth Spline (Prior to SN 0300029318)		
	7010121	15 Tooth Spline (SN 0300029318 to SN 0300068000)		
58	7021214	Plate, Valve	1	
59	7007463	Gerotor Assembly	1	
60	Use 2900826	Pin	1	
61	Use 2900826	Key, Woodruff	1	
62	7007466	Adaptor, Remote Filtration (Without By-Pass)	1	
63	Use 2900752	O-Ring	3	
64	7007468	Screw	2	
65	7007469	Screw	2	
66	7007470	Plug	1	
67	7007471	Cover, Servo (With Adjuster)	1	
	7007490	Stop, Servo (Not Shown)	2	
	7007491	Nut, Special (Not Shown)	2	
	7007492	Ring, External (Not Shown)	2	
68	7007482	Cover, Servo (Without Adjuster)	1	
69	7007483	Guide, Spring	1	
70	7007484	Stop, Servo	1	
71	7007485	Spring	1	
72	7007486	Screw	1	
73	7007487	Guide, Spring	1	
74	7007488	Ring, Retaining	1	
75	7007499	Locknut	1	
76	See Note	Ring, Piston (Note: Use Item 101A or 101B)	2	
77	7007494	Piston, Servo	1	
78	See Note	O-Ring (Note: Use Item 101A or 101B)	2	
79	7007472	Valve, Bypass	1	
80	Use 7010122	Valve, Pressure Relief (Includes Item 6) (was p/n 7007473)	2	
81	7007474	Control, Dual Oil-Filled	1	
	7007496	Coil Assembly (Pilot)	1	
	7007497	Plug (Pump)	1	
	7007498	Plug (Valve Harness)	1	
82	7007478	Screw	2	
83	7001498	Screw	2	
84	Use 2900752	O-Ring	2	

SECTION 2 TURNTABLE

FIGURE 2-20. PISTON PUMP ASSEMBLY (CONTINUED)

SECTION 2 TURNTABLE

FIG & ITEM #	PART NUMBER	DESCRIPTION	QTY.	REV.
85	Use 2900752	O-Ring	1	
86	7007475	Plug, Orifice/Screen (.156)	1	
87	7007477	Plug, Orifice (.37)	2	
88	7007476	Adapter, Auxiliary Pump	1	
89	7010120	Spacer/Gasket	1	

101		Seal Kit Options:	AR	
101A	2900752	Seal Kit - Complete (Includes Items 3, 6, 14, 37, 41, 42, 44, 45, 55, 56, 63, 76, 78, 84 & 85)	1	
101B	7007412	Seal Kit - Servo Piston (Includes Items 76 & 78)	1	
102	2900826	Charge Pump Kit (Includes Items 41,42,46,59,60 & 61)	1	
103	2900827	Cylinder Block Kit (Includes Items 19-28,40,50,53,55 & 58)	1	

SECTION 2 TURNTABLE

FIGURE 2-20. PISTON PUMP ASSEMBLY (CONTINUED)

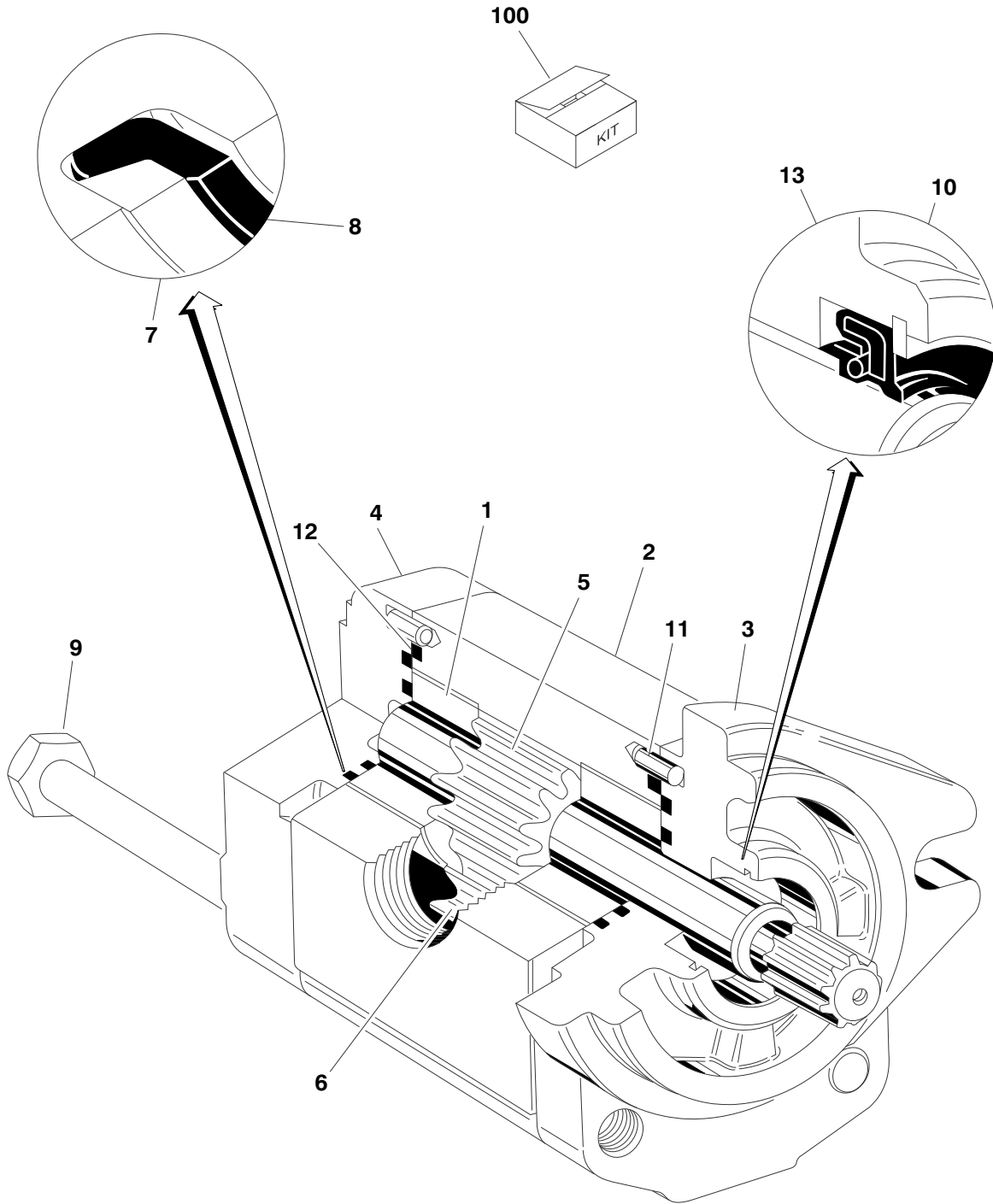
FIG & ITEM #	PART NUMBER	DESCRIPTION	QTY.	REV.

SECTION 2 TURNTABLE

SECTION 2 TURNTABLE

FIGURE 2-21. GEAR PUMP ASSEMBLY

SECTION 2 TURNTABLE



SECTION 2 TURNTABLE

FIGURE 2-21. GEAR PUMP ASSEMBLY

FIG & ITEM #	PART NUMBER	DESCRIPTION	QTY.	REV.
	3600242	GEAR PUMP ASSEMBLY	Ref	
1	7010105	Bearing/Bushing	2	
2	See Note	Housing (Note: Not Available - Purchase p/n 3600242 Complete Replacement.)	1	
3	See Note	Flange (Note: Not Available - Purchase p/n 3600242 Complete Replacement.)	1	
4	7010103	Cover	1	
5	7012987	Gear, Drive	1	
6	7012988	Gear, Idler	1	
7	Use 7007489	Ring, Anti-Extrusion	2	
8	Use 7007489	Seal	2	
9	See Note	Bolt (Note: Not Available for Purchase.)	4	
10	7010104	Ring, Retaining	1	
11	See Note	Pin, Dowel (Note: Not Available for Purchase.)	4	
12	Use 7007489	Seal, O-Ring	2	
13	Use 7007489	Seal, Shaft	1	

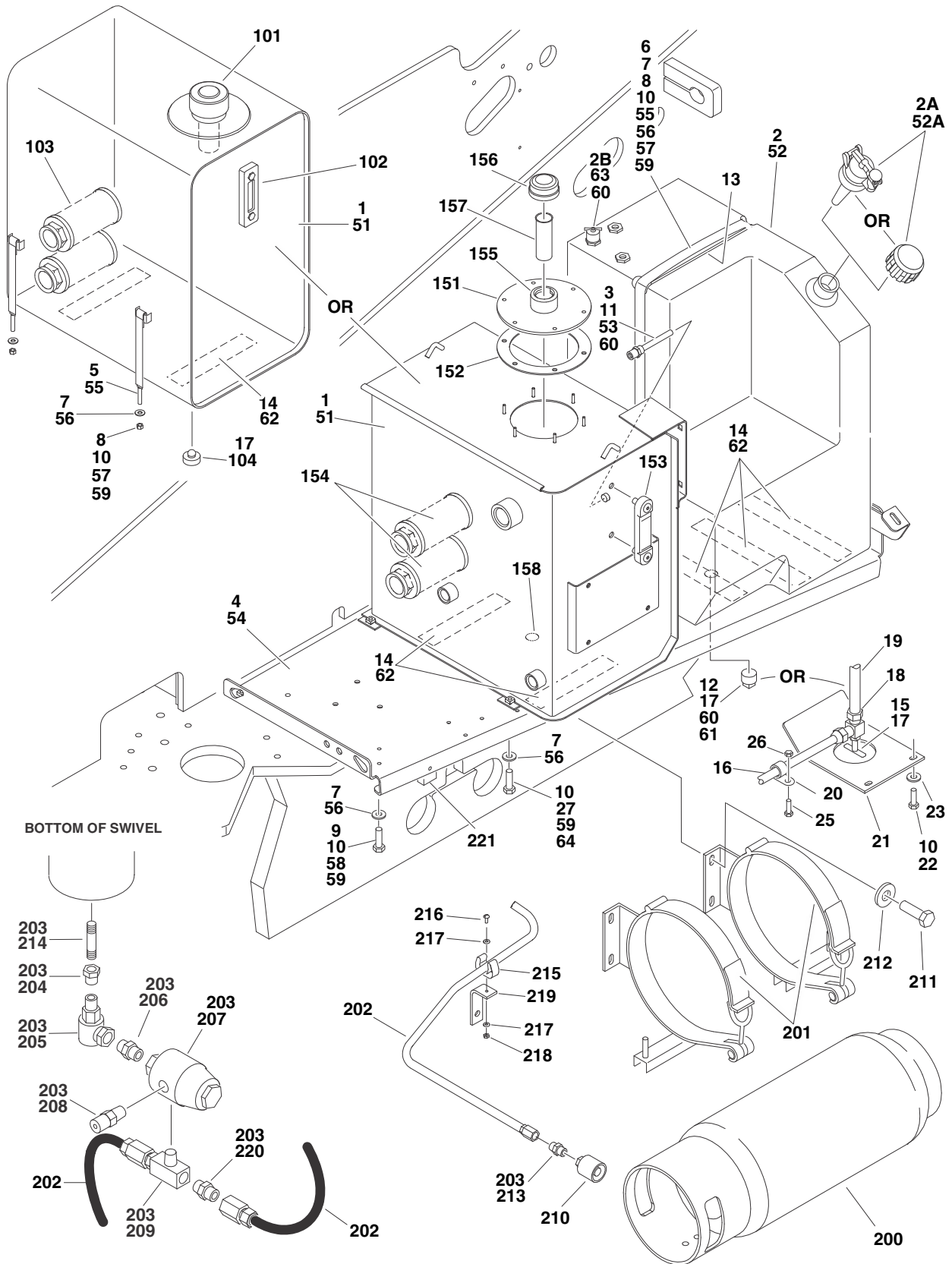
100	7007489	Seal Kit (Includes Items 7,8,12 & 13)	1	

SECTION 2 TURNTABLE

SECTION 2 TURNTABLE

FIGURE 2-22. TANK INSTALLATIONS

SECTION 2 TURNTABLE



SECTION 2 TURNTABLE

FIGURE 2-22. TANK INSTALLATIONS

FIG & ITEM #	PART NUMBER	DESCRIPTION	QTY.	REV.
		TANKS INSTALLATION (STANDARD MACHINES)	Ref	
	0254849	Standard Without Locking Fuel Tank	Ref	9
	0257340	Optional With Locking Fuel Tank (Gas/Dual Fuel Machines) (Prior to SN 0300048907)	Ref	2
	0270394	Fuel Tank (Gas/Dual Fuel Machines) (SN 0300048907 to SN 0300061927)	Ref	1
	0271250	Fuel Tank (Gas/Dual Fuel Machines - ADE System) (SN 0300061927 to SN 0300068000)	Ref	3
	0257483	Optional With Locking Fuel Tank (Diesel Machines) (Prior to SN 0300048907)	Ref	2
1		Hydraulic Tank Assembly Options:	1	
	4400375	Tank, Hydraulic (See Items 101-104 for Breakdown)		
	4400449	Tank, Hydraulic (See Items 151-158 for Breakdown)		
2		Tank, Fuel Options:	1	
	4400376	Tank, Fuel (Prior to SN 0300030687)		
	4400400	Tank, Fuel (SN 0300030687 to SN 0300068000)		
2A		Cap Options:	1	
	7016314	Standard Black Cap		
	1120484	Optional Red Cap - Gas/Dual Fuel Machines (Not Included with Tank)		
	1120487	Optional Blue Cap - Diesel Machines (Not Included with Tank)		
2B	7019658	Tube, Fuel Pick-up (with Fitting) (SN 0300030687 to SN 0300068000)	1	
3	4360436	Switch, Fuel Level	1	
4		Hydraulic Tray Weldment Options:	1	
	See Note	Prior to May 1996 (Note: Recommend using P/N 4845393 in place of original P/N 3538759)		
	4845393	May 1996 to SN 0300068000		
5	4240112	Strap, Tank	4	
6	4240113	Strap, Tank	1	
7	4751600	Flatwasher 3/8in Regular	12	
8	3311601	Nut 3/8in-16NC	AR	
9	0641614	Bolt 3/8in-16NC x 1-3/4in	6	
10	0100011	Compound, Locking	AR	
11	0100079	Sealant, Pipe	AR	
12		Fitting Options:	1	
	2200222	Prior to SN 0300048907		
	2200233	SN 0300048907 to SN 0300068000		
13	4280295	Strip, Protective	25in/44cm	
14	4420038	Tape, Rubber	70in/1.78m	
		Note: Items 15 - 24 Used on Gas Machines Only SN 0300048907 to SN 0300068000	Ref	
15	4641022	Valve, Needle (SN 0300048907 to SN 0300068000)	1	
16	4568116	Tube, Fuel (SN 0300048907 to SN 0300068000)	1	
17	0100020	Sealant (SN 0300048907 to SN 0300068000)	AR	
18	0100062	Retaining Compound #680 (SN 0300048907 to SN 0300068000)	AR	
19	4568119	Tube, Fuel (SN 0300048907 to SN 0300068000)	1	

SECTION 2 TURNTABLE

SECTION 2 TURNTABLE

FIGURE 2-22. TANK INSTALLATIONS (CONTINUED)

SECTION 2 TURNTABLE

FIG & ITEM #	PART NUMBER	DESCRIPTION	QTY.	REV.
20	1320245	Clamp (SN 0300048907 to SN 0300068000)	1	
21	3572423	Plate, Valve, Needle (SN 0300048907 to SN 0300068000)	1	
22	0641508	Bolt 5/16in-18NC x 1in (SN 0300048907 to SN 0300068000)	2	
23	4711500	Flatwasher 5/16in Thin (SN 0300048907 to SN 0300068000)	4	
24	3311505	Locknut 5/16in-18NC (SN 0300048907 to SN 0300068000)	2	
25	0641412	Bolt 1/4in-20NC x 1-1/2in (SN 0300061927 to SN 0300068000)	1	
26	3311405	Locknut 1/4in-20NC x 1-1/2in (SN 0300061927 to SN 0300068000)	1	
27	0641608	Bolt 3/8in-16NC x 1in (SN 0300068130 to SN 0300068000)	4	
		TANKS INSTALLATION (UL MACHINES)	Ref	
	0257705	Gas/Diesel	Ref	3
	0258607	LP Gas Only	Ref	2
51		Hydraulic Tank Assembly Options:	1	
	4400375	Tank, Hydraulic (See Items 101-104 for Breakdown)		
	4400449	Tank, Hydraulic (See Items 151-158 for Breakdown)		
52	4400407	Tank, Fuel (Not Required on LP Gas Only Machines)	1	
52A	7016314	Cap, Black Fuel (Not Required on LP Gas Only Machines)	1	
53	4360436	Switch, Fuel Level (Not Required on LP Gas Only Machines)	1	
54	4845393	Weldment, Hydraulic Tray	1	
55	4240112	Strap	AR	
56	4751600	Flatwasher 3/8in Regular	AR	
57	3311601	Nut 3/8in-16NC	AR	
58	0641614	Bolt 3/8in-16NC x 1-3/4in	6	
59	0100011	Compound, Locking	AR	
60	0100020	Sealant, Pipe	AR	
61	2200222	Plug, Pipe (Not Required on LP Gas Only Machines)	1	
62	4420038	Moulding	AR	
63	4641022	Valve, Needle (Not Required on LP Gas Only Machines)	1	
64	0641608	Bolt 3/8in-16NC x 1in	4	
	4400375	HYDRAULIC TANK ASSEMBLY	Ref	F
101		Filler/Breather Assembly Options:	1	
	7014803	Prior to June 1997		
	7014810	June 1997 to SN 0300068000		
	7014811	Cap, Breather (Fits Both 7014803 & 7014810)	1	
	7014816	Screen	1	
102	7014802	Gauge, Sight	1	
103	7014801	Strainer 1-1/4inNPT	1	
104	7014813	Plug, Magnetic	1	

SECTION 2 TURNTABLE

FIGURE 2-22. TANK INSTALLATIONS (CONTINUED)

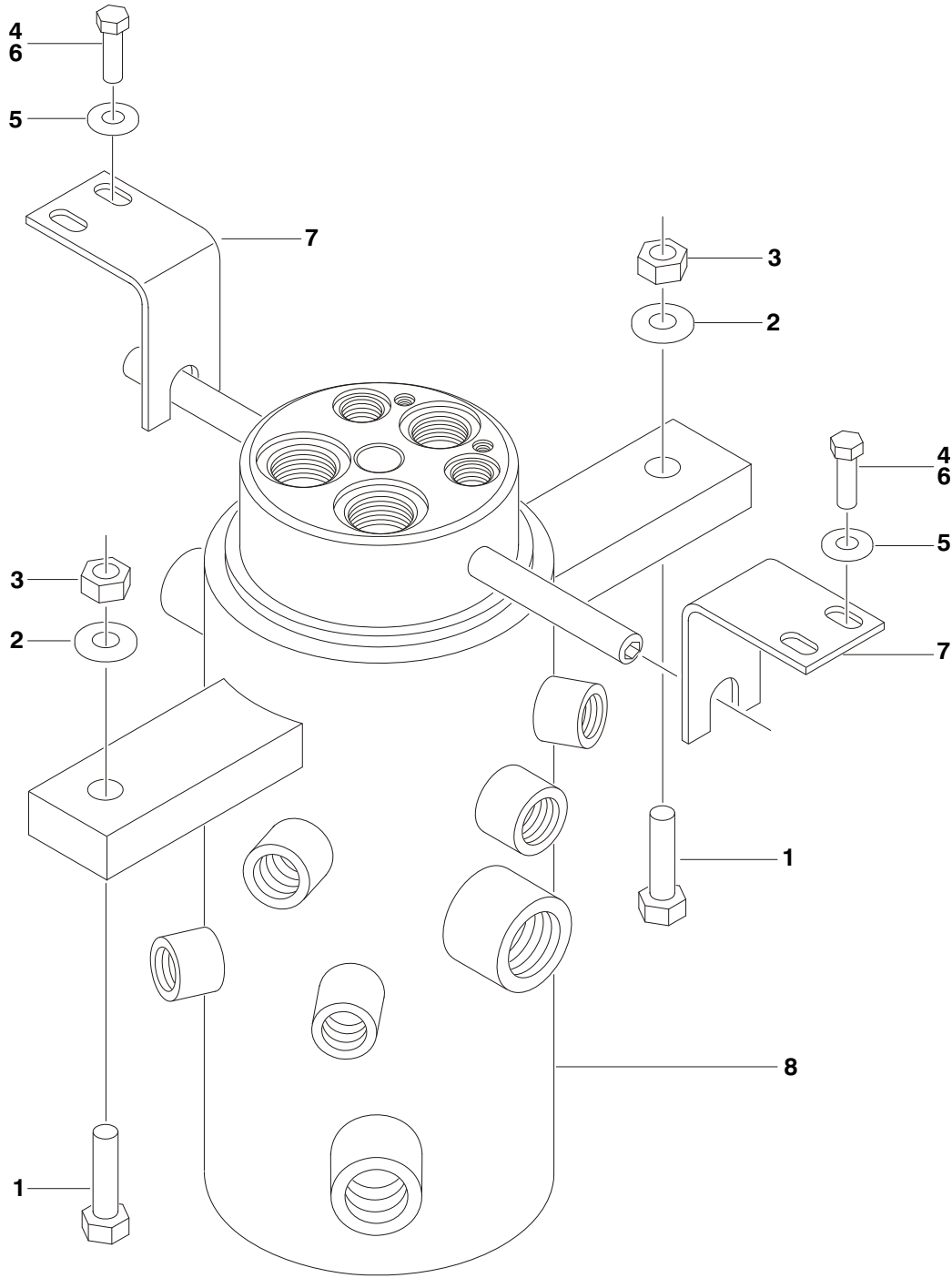
FIG & ITEM #	PART NUMBER	DESCRIPTION	QTY.	REV.
	4400449	HYDRAULIC TANK ASSEMBLY	Ref	A
151	7024439	Cover	1	
152	7024440	Gasket	1	
153	7024441	Gauge, Sight	1	
154	7024442	Strainer	2	
155	7024443	Filler Neck	1	
156	7024444	Cap, Vented	1	
157	7024445	Strainer	1	
158	7024446	Plug, Magnetic	1	
	0255524	LP TANK BRACKETS INSTALLATION	Ref	7
200	4400275	Tank, LP - 43.5 Lbs.	1	
201	1320220	Clamp	2	
	1320127	Clamp, Toggle (1 Per Clamp)	2	
202	2720144	Hose	2	
203	0100020	Sealant, Pipe (Not Shown)	AR	
204	2221019	Fitting, Reducer	1	
205		Fitting, 90 Swivel Options:	1	
	2180125	Prior to SN 0300039820		
	2220599	SN 0300039820 to SN 0300040159		
	2180125	SN 0300040159 to SN 0300068000		
206	2220261	Fitting, Nipple	1	
207	2180388	Fitting, Bulkhead	1	
208	2180389	Valve, Relief	1	
209		Fitting, Tee Options:	1	
	2180800	Prior to SN 0300041400		
	2220418	SN 0300041400 to SN 0300068000		
210	2180387	Fitting, Straight	2	
211	0641606	Bolt 3/8in-16NC x 3/4in	8	
212	4751600	Flatwasher 3/8in Regular	8	
213	2180418	Fitting, Connector	2	
214	2221018	Fitting, Nipple	1	
215	1320218	Clamp, Spring (SN 0300034410 to SN 0300068000)	2	
216	3910808	Screw, Round Head #8-32NC x 1/2in (SN 0300034410 to SN 0300068000)	2	
217	4750800	Flatwasher #8 Regular (SN 0300034410 to SN 0300068000)	4	
218	3310805	Locknut #8-32NC (SN 0300034410 to SN 0300068000)	2	
219	0181949	Angle, Support (SN 0300034410 to SN 0300068000)	2	
220	2221024	Fitting, Union Ball Check (SN 0300034410 to SN 0300068000)	2	
221	0362519	Bar (SN 0300034410 to SN 0300068000)	4	

SECTION 2 TURNTABLE

SECTION 2 TURNTABLE

FIGURE 2-23. ROTARY COUPLING INSTALLATION

SECTION 2 TURNTABLE



SECTION 2 TURNTABLE

FIGURE 2-23. ROTARY COUPLING INSTALLATION

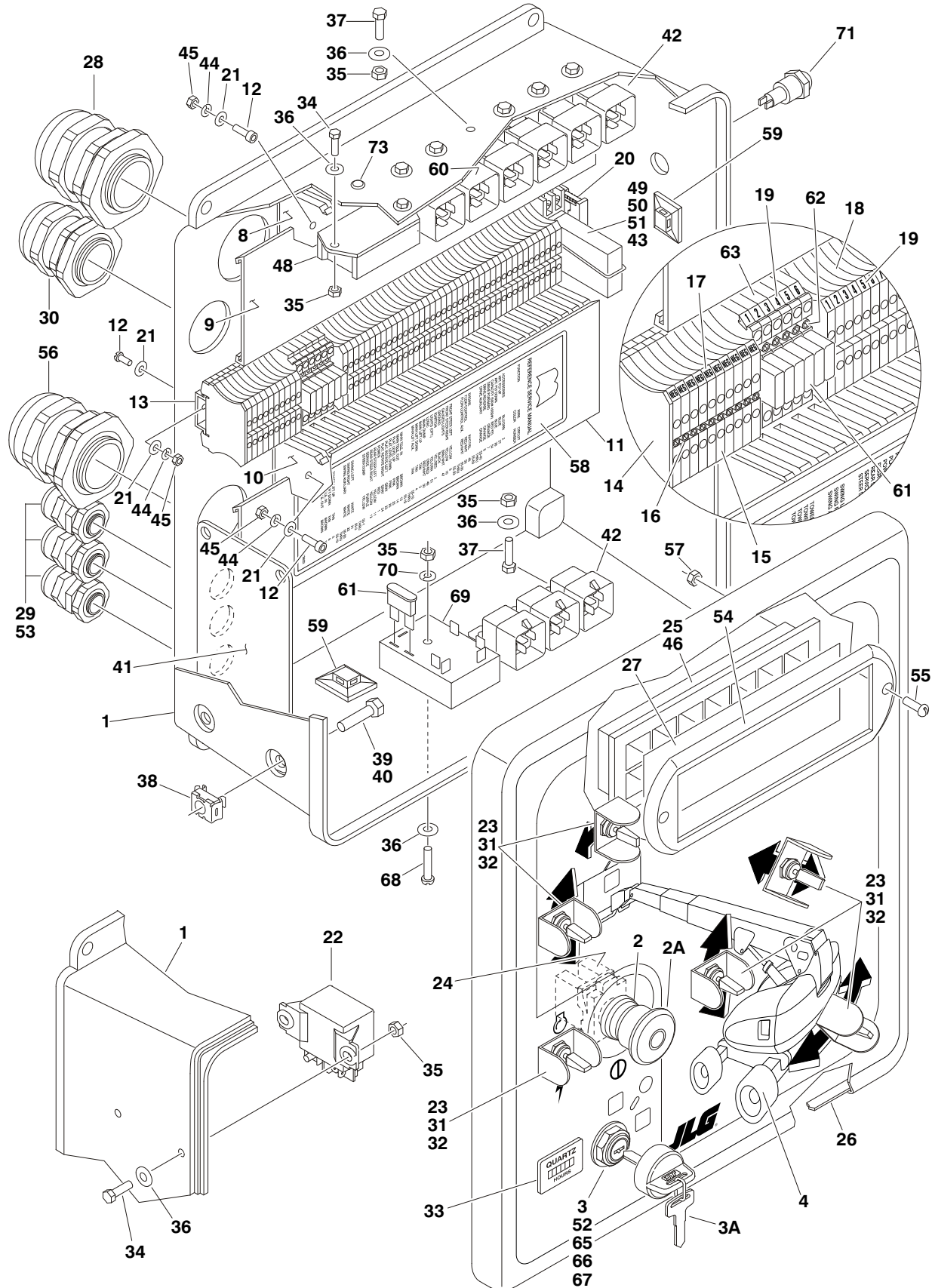
FIG & ITEM #	PART NUMBER	DESCRIPTION	QTY.	REV.
		ROTARY COUPLING INSTALLATIONS	Ref	
	0255262	2WS	Ref	5
	0255294	4WS	Ref	2
1	0641820	Bolt 1/2in-13NC x 2-1/2in	2	
2	4751800	Flatwasher 1/2in Regular	4	
3	3311805	Locknut 1/2in-13NC	2	
4	0641611	Bolt 3/8in-16NC x 1-3/8in	4	
5	4751600	Flatwasher 3/8in Regular	4	
6	0100011	Compound, Locking	AR	
7		Bracket	2	
	Use 0902520	Prior to SN 0300041296 (was p/n 0902109)		
	0902520	SN 0300041296 to SN 0300068000		
8		Coupling, Rotary Options:	1	
	1660219	2WS		
	1660223	4WS		
		Seal Kit Options:	1	
	7013187	2WS		
	7016342	4WS	1	

SECTION 2 TURNTABLE

SECTION 2 TURNTABLE

FIGURE 2-24. GROUND CONTROL BOX ASSEMBLY (PRIOR TO SN 0300061927)

SECTION 2 TURNTABLE



SECTION 2 TURNTABLE

FIGURE 2-24. GROUND CONTROL BOX ASSEMBLY (PRIOR TO SN 0300061927)

FIG & ITEM #	PART NUMBER	DESCRIPTION	QTY.	REV.
		GROUND CONTROL BOX ASSEMBLIES	Ref	
		Continental Engine Options:	Ref	
	0861001	600S - Prior to SN 0300035129	Ref	7/E
	0861129	600S - SN03000 35129 to SN 0300061927	Ref	2/B
	0861004	600SJ & 660SJ - Prior to SN 0300035129	Ref	8/F
	0861130	600SJ & 660SJ - SN03000 35129 to SN 0300061927	Ref	2/B
		Deutz Engine Options:	Ref	
	0861000	600S - Prior to SN 0300035129	Ref	10/G
	0861125	600S - SN 0300035129 to SN 0300061927	Ref	5
	0861003	600SJ & 660SJ - Prior to SN 0300035129	Ref	10/G
	0861126	600SJ & 660SJ - SN 0300035129 to SN 0300061927	Ref	5
		Deutz Engine - UL Options:	Ref	
	0861242	600S - SN 0300039457 to SN 0300061927	Ref	3/C
	0861243	600SJ & 660SJ - SN 0300039457 to SN 0300061927	Ref	3/C
		Ford Engine Options:	Ref	
	0860999	600S - Prior to SN 0300030947	Ref	6/D
	0861100	600S - SN 0300030947 to SN 0300035129	Ref	1/A
	0861123	600S - SN 0300035129 to SN 0300048907	Ref	4/C
	0861002	600SJ & 660SJ - Prior to SN 0300030947	Ref	7/E
	0861101	600SJ & 660SJ - SN 0300030947 to SN 0300035129	Ref	2/B
	0861124	600SJ & 660SJ - SN 0300035129 to SN 0300048907	Ref	4/C
		Ford Engine with EFI Options:	Ref	
	0861328	600S - SN 0300048907 to SN 0300061927	Ref	3/C
	0861329	600SJ & 660SJ - SN 0300048907 to SN 0300061927	Ref	3/C
		Ford Engine - UL Options:	Ref	
	0861230	600S - SN 0300039457 to SN 030006192	Ref	3/C
	0861231	600SJ & 660SJ - SN 0300039457 to SN 0300061927	Ref	3/C
		Ford Engine - UL (LP Gas Only) Options:	Ref	
	0861249	600S - SN 0300039457 to SN 0300061927	Ref	3/C
	0861250	600SJ & 660SJ - SN 0300039457 to SN 0300061927	Ref	3/A
		Isuzu Engine Options:	Ref	
	0861382	600S - SN 0300057373 to SN 0300061927	Ref	1
	0861383	600SJ & 660SJ - SN 0300057373 to SN 0300061927	Ref	1
1		Box, Fiberglass Options:	1	
	0860978	Prior to SN 0300035129		
	0861132	SN 0300035129 to SN 0300044645		
	0861303	SN 0300044645 to SN 0300061927		
2		Switch, Emergency Stop Options:	1	
	4360395	Prior to SN 0300036019		
	4360289	SN 0300035129 to SN 0300044645		
	4360475	SN 0300044645 to SN 0300061927		
2A		Cap Options:	1	
	7016315	Cap, Red (Used on Switch p/n 4360395)		
	7012611	Cap, Mushroom Head (Used on Switch p/n 4360289)		
	7012612	Boot (Used on Switch p/n 4360289)	1	
	7020175	Cap, Red (Used on Switch p/n 4360475)		

SECTION 2 TURNTABLE

SECTION 2 TURNTABLE

FIGURE 2-24. GROUND CONTROL BOX ASSEMBLY (PRIOR TO SN 0300061927) (CONTINUED)

SECTION 2 TURNTABLE

FIG & ITEM #	PART NUMBER	DESCRIPTION	QTY.	REV.
2A (cont'd)	7020176	Contact Block (Used on Switch p/n 4360475)		
3		Switch, Key Options:	1	
	4360315	Prior to SN 0300044645		
	4360469	SN 0300044645 to SN 0300061927		
3A		Key Replacement Options:	1	
	7012560	Prior to SN 0300044645		
		(Used on Switch p/n 4360315)		
	2860030	SN 0300044645 to SN 0300061927		
		(Used on Switch p/n 4360469)		
4		Decal - Faceplate Options:	1	
	1702632	600S (Prior to SN 0300035129)		
	1703465	600S (SN 0300035129 to SN 0300061927)		
	1702536	600SJ & 660SJ (Prior to SN 0300035129)		
	1703466	600SJ & 660SJ (SN 0300035129 to SN 0300061927)		
5		Engine Harness Assembly (See ELECTRICAL SECTION for Breakdown)	1	
		Continental Engine Machines		
	4921738	Prior to SN 0300035129		
	4921926	SN 0300035129 to SN 0300061927		
		Deutz Engine Machines		
	4921737	Prior to SN 0300035129		
	4921925	SN 0300035129 to SN 0300061927		
		Deutz Engine Machines - UL		
	4922185	SN 0300039457 to SN 0300061927		
		Ford Engine Machines		
	4921736	Prior to SN 0300030947		
	4921970	SN 0300030947 to SN 0300035129)		
	4921924	SN 0300035129 to SN 0300048907		
		Ford Engine With EFI Machines		
	4922329	SN 0300048907 to SN 0300061927		
		Ford Engine Machines - UL		
	4922166	SN 0300039457 to SN 0300061927)		
		Ford Engine Machines - UL (LP Gas Only)		
	4922200	SN 0300039457 to SN 0300061927		
		Isuzu Engine Machines		
	4922380	SN 0300057373 to SN 0300061927		
6		Valve Harness Assembly Options: (See ELECTRICAL SECTION for Breakdown)	1	
	4921735	Prior to SN 0300026233		
	4921849	SN 0300026233 to SN 0300035129		
	4921923	SN 0300035129 to SN 0300061927		
	4922164	UL Machines Only (SN 0300039457 to SN 0300061927)		
7	Not Used			
8	1840012	Duct, Wiring - 2in/5cm	1	
9	1840013	Duct, Cover - 2in/5cm	1	
10	1840014	Duct, Wiring - 3in/7.6cm	1	
11	1840015	Duct, Cover - 3in/7.6cm	1	
12	3910608	Screw #6-32NC x 1/2in	6	

SECTION 2 TURNTABLE

FIGURE 2-24. GROUND CONTROL BOX ASSEMBLY (PRIOR TO SN 0300061927) (CONTINUED)

FIG & ITEM #	PART NUMBER	DESCRIPTION	QTY.	REV.
13	3640970	Rail	1	
14	4460602	Barrier, Terminal	1	
15	4460601	Block, Terminal	10	
16	4460603	Bussbar - 10 Position (Requires being cut into (2) 5 position bussbars)	1	
17	4460631	Marker, Terminal (Negative)	AR	
18	4460600	Block, Terminal	AR	
19	4460628	Marker, Terminal (1-50)	AR	
20	4460607	Stop, Terminal	1	
21	4750600	Flatwasher #6 Regular	12	
22	3740112	Relay, Bosch	1	
23	4360314	Switch, Toggle	AR	
24		Switch, Contact Block Options:	1	
	4360282	Prior to SN 0300044645		
	4360476	SN 0300044645 to SN 0300061927		
25	2760105	Housing, Display Light	1	
26	4420038	Insulation, Adhesive Foam	4in/10cm	
27	1702610	Decal - Ground Control Display	1	
28	4460526	Connector, Strain Relief	1	
29	4460428	Connector, Strain Relief	3	
30	4460426	Connector, Strain Relief	1	
31	4740444	Washer, Special	AR	
32	4060906	Shield, Toggle Switch	AR	
33	2420172	Gauge, Hourmeter	1	
34	0721005	Screw #10-24NC x 5/8in	AR	
35	3311001	Nut #10-24NC	AR	
36	4751000	Flatwasher #10 Regular	AR	
37		Screw Options:	AR	
	0721004	Screw #10-24NC (Prior to SN 0300057373)		
	3900268	Screw #10-24NC x 1/2in (SN 0300057373 to SN 0300061927)		
38	3300205	Nut, Retainer	4	
39	0641506	Bolt 5/16in-18NC x 3/4in	4	
40	0100011	Compound, Locking	AR	
41	3539219	Plate, Reinforcement	1	
42	3740049	Relay - SPDT	AR	
43		Marker, Terminal (Ignition) Options:	1	
	4460630	Standard		
	4460759	UL		
44	4760600	Lockwasher #6	6	
45	3310601	Nut #6-32NC	6	
46	3700010	Reflector (Prior to SN 0300027331 Only)	1	
47	Not Used			
48		Timer, Glow Plug Options:	AR	
	4360402	Continental Engines	1	
	Not Required	Deutz, Isuzu & Ford Engines	0	
49		Socket, Relay Options:	AR	
	4120012	Ford Engines	1	
	Not Required	Deutz, Isuzu & Continental Engines	0	

SECTION 2 TURNTABLE

SECTION 2 TURNTABLE

FIGURE 2-24. GROUND CONTROL BOX ASSEMBLY (PRIOR TO SN 0300061927) (CONTINUED)

SECTION 2 TURNTABLE

FIG & ITEM #	PART NUMBER	DESCRIPTION	QTY.	REV.
50		Relay Options:	AR	
	3740057	Ford Engines	1	
	Not Required	Deutz, Continental, Isuzu & Ford Engines - UL	0	
51		Spring, Relay Options:	AR	
	3740066	Ford Engines	1	
	Not Required	Deutz, Continental, Isuzu & Ford Engines - UL	0	
52	3300390	Nut with Weather Resistant Boot	1	
53	3520054	Plug, Hole (SN 0300028933 to SN 0300035129)	1	
54	1670829	Bezel (SN 0300035129 to SN 0300061927)	1	
55	0630518	Capscrew, Button Head (SN 0300035129 to SN 0300061927)	2	
56		Connector, Strain Relief Options:	1	
	4460526	Prior to SN 0300035129		
	4460711	SN 0300035129 to SN 0300061927		
57	3300408	Locknut, Plastic Insert (SN 0300035129 to SN 0300061927)	AR	
58	1703622	Decal - Service Manual Reference (SN 0300035129 to SN 0300061927)	1	
59	4460234	Base, Tie-Strap (SN 0300035129 to SN 0300061927)	6	
60	3740132	Relay (UL Machines Only)	AR	
61	2400057	Fuse, 15 Amp (UL Machines Only)	6	
62	4460760	Terminal, Bridge Bar (UL Machines Only)	1	
63	4460758	Block, Terminal (UL Machines Only)	6	
64	3530168	Plug, Rubber (Not Shown) (SN 0300044645 to SN 0300061927)	3	
65	4070991	Shim (.125) (SN 0300044645 to SN 0300061927)	1	
66	4070987	Shim (.015) (SN 0300044645 to SN 0300061927)	1	
67	3910804	Screw #8-32NC x 1/4in (SN 0300044645 to SN 0300061927)	6	
68	3911024	Screw #10-24NC x 1-1/2in (SN 0300048907 to SN 0300061927)	1	
69		Timer, Relay Options: (SN 0300048907 to SN 0300061927)	AR	
	3740113	Ford Engines with EFI	1	
	Not Required	Ford, Deutz, Isuzu & Continental Engines	0	
70	4761000	Lockwasher #10 (SN 0300048907 to SN 0300061927)	1	
71		Hardware Options:	AR	
	4360387	Switch, Push Button (Ford Engines with EFI)	1	
	3520026	Plug (Ford, Deutz, Isuzu & Continental Engines)	1	
72	0100009	Adhesive (Not Shown)	AR	
73		Plug Options:	AR	
	Not Required	Ford Engines with EFI & Continental Engines	0	
	3520174	Deutz & Isuzu Engines	5	

SECTION 2 TURNTABLE

FIGURE 2-24. GROUND CONTROL BOX ASSEMBLY (PRIOR TO SN 0300061927) (CONTINUED)

FIG & ITEM #	PART NUMBER	DESCRIPTION	QTY.	REV.

**S
E
C
T
I
O
N

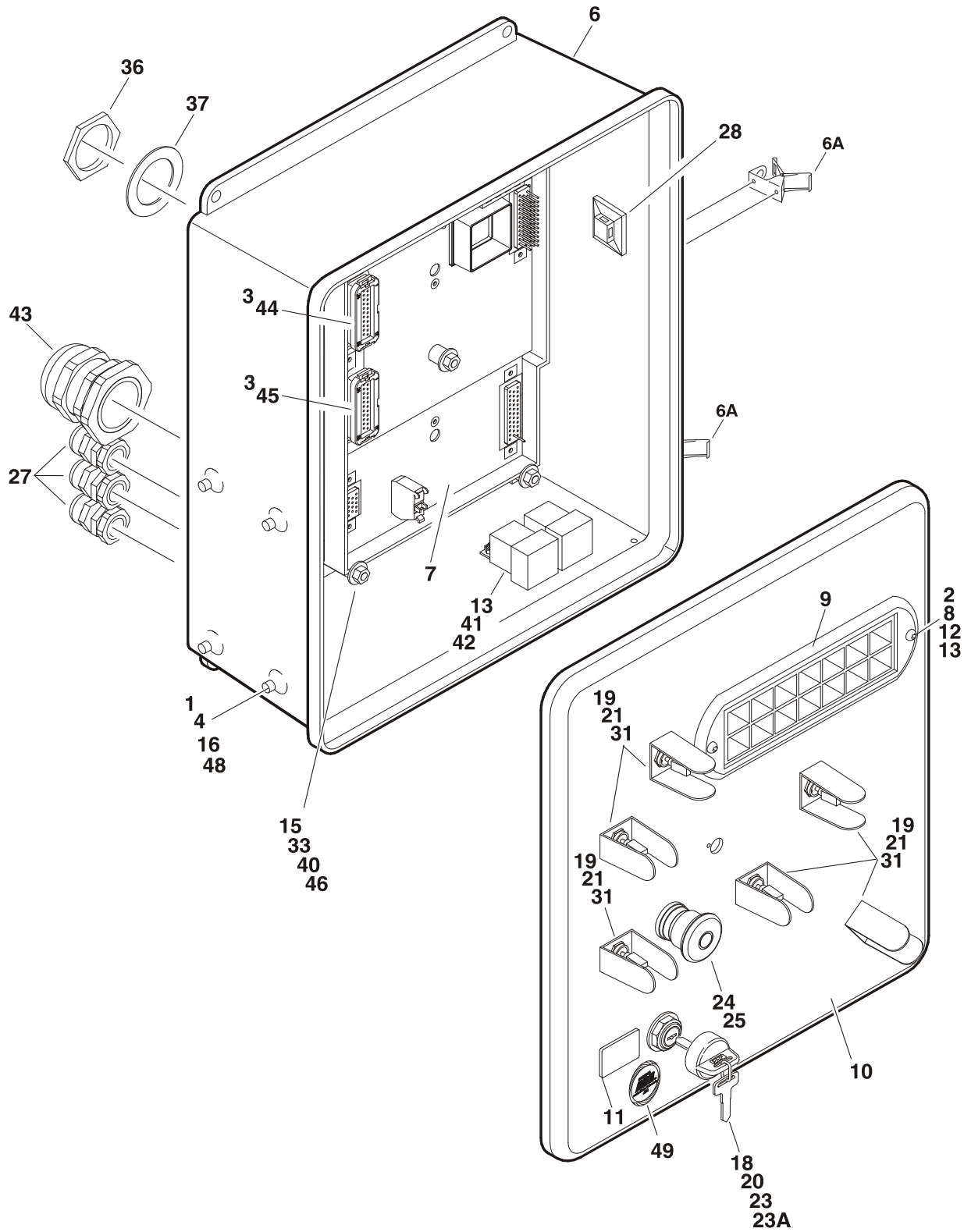
2

T
U
R
N
T
A
B
L
E**

SECTION 2 TURNTABLE

FIGURE 2-25. GROUND CONTROL BOX ASSEMBLY (ADE SYSTEM)
(SN 0300061927 TO SN 0300068000)

SECTION 2 TURNTABLE



SECTION 2 TURNTABLE

FIGURE 2-25. GROUND CONTROL BOX ASSEMBLY (ADE SYSTEM) (SN 0300061927 TO SN 0300068000)

FIG & ITEM #	PART NUMBER	DESCRIPTION	QTY.	REV.
		GROUND CONTROL BOX ASSEMBLIES	Ref	
		Deutz Engine Options:	Ref	
	0861394	600S - SN 0300061927 to SN 0300063909	Ref	G
	0861480	600S - SN 0300063909 to SN 0300068000	Ref	D
	0861395	600SJ & 660SJ - SN 0300061927 to SN 0300063909	Ref	G
	0861481	600SJ & 660SJ - SN 0300063909 to SN 0300068000	Ref	D
		Ford Engine with EFI Options:	Ref	
	0861390	600S - SN 0300061927 to SN 0300063909	Ref	F
	0861478	600S - SN 0300063909 to SN 0300068000	Ref	D
	0861391	600SJ & 660SJ - SN 0300061927 to SN 0300063909	Ref	F
	0861479	600SJ & 660SJ - SN 0300063909 to SN 0300068000	Ref	C
1	0100011	Compound, Locking	AR	
2	0630518	Capscrew, Button Head	2	
3	0100048	Grease, Dielectric	AR	
4	0641506	Bolt 5/16in-18NC x 3/4in	4	
5	Not Used			
6	0861389	Box, Fiberglass	1	
6A	7020246	Latch	2	
7		Module, Ground Control Options (Re-calibration Required when Replaced):	1	
	1600312	SN 0300061927 to SN 0300063909		
	Use 2915014	SN 0300063909 to SN 0300068000 (was p/n 1600327)		
8	1670829	Bezel	1	
9	1702610	Decal - Ground Control Display	1	
10		Decal - Faceplate Options:	1	
	1703465	600S		
	1703466	600SJ/660SJ		
11	2420172	Gauge, Hourmeter	1	
12	2760105	Housing, Display Light	1	
13	3300408	Locknut, Plastic Insert	AR	
14	Not Used			
15	3311401	Nut 1/4in-20NC	10	
16	3539219	Plate, Reinforcement	1	
17	Not Used			
18	3910804	Screw #8-32NC x 1/4in	6	
19	4060906	Shield, Toggle Switch	6	
20		Shim Options:	1	
	4070991	Shim (.125in) (SN 0300061927 to SN 0300063909)		
	4070987	Shim (.015in) (SN 0300063909 to SN 0300068000)		
21	4360328	Switch, Toggle	6	
22	Not Used			
23	4360469	Switch, Key	1	
23A	2860030	Key Replacement	1	
24	4360475	Switch, Emergency Stop	1	
25	4360476	Switch, Contact Block	1	
26	4460234	Tie, Wire (Not Shown)	2	

SECTION 2 TURNTABLE

SECTION 2 TURNTABLE

SECTION 2 TURNTABLE

FIGURE 2-25. GROUND CONTROL BOX ASSEMBLY (ADE SYSTEM) (SN 0300061927 TO SN 0300068000) (CONTINUED)

FIG & ITEM #	PART NUMBER	DESCRIPTION	QTY.	REV.
27		Connector, Strain Relief Options:	AR	
	4460428	SN 0300061927 to SN 0300063909		
	4460426	SN 0300063909 to SN 0300068000		
28	4460488	Mounting Base, Terminal	AR	
29 to 30	Not Used			
31	4740444	Washer, Special	6	
32	Not Used			
33	4751400	Flatwasher 1/4in Regular	20	
34 to 35	Not Used			
36	4460470	Nut, Terminal	1	
37	4460471	Lockwasher, Terminal	1	
38 to 39	Not Used			
40	0630548	Bolt	5	
41	3740049	Relay	AR	
42	3900268	Screw, Flange #10 x 1/2in	AR	
43	4460526	Connector, Strain Relief	1	
44	4460874	Connector, Natural	1	
45	4460875	Connector, Gray	1	
46	4761400	Lockwasher 1/4in	10	
47		Harness, Analyzer Cable Options (Not Shown):	1	
	4922485	SN 0300061927 to SN 0300063909		
	4922666	SN 0300063909 to SN 0300068000		
48	3300205	Nut, Retainer	4	
49	1705132	Decal - ADE (SN 0300068130 to SN 0300068000)	1	
50	3520035	Plug, Cap (Not Shown)	1	

SECTION 2 TURNTABLE

FIGURE 2-25. GROUND CONTROL BOX ASSEMBLY (ADE SYSTEM) (SN 0300061927 TO SN 0300068000) (CONTINUED)

FIG & ITEM #	PART NUMBER	DESCRIPTION	QTY.	REV.

**S
E
C
T
I
O
N

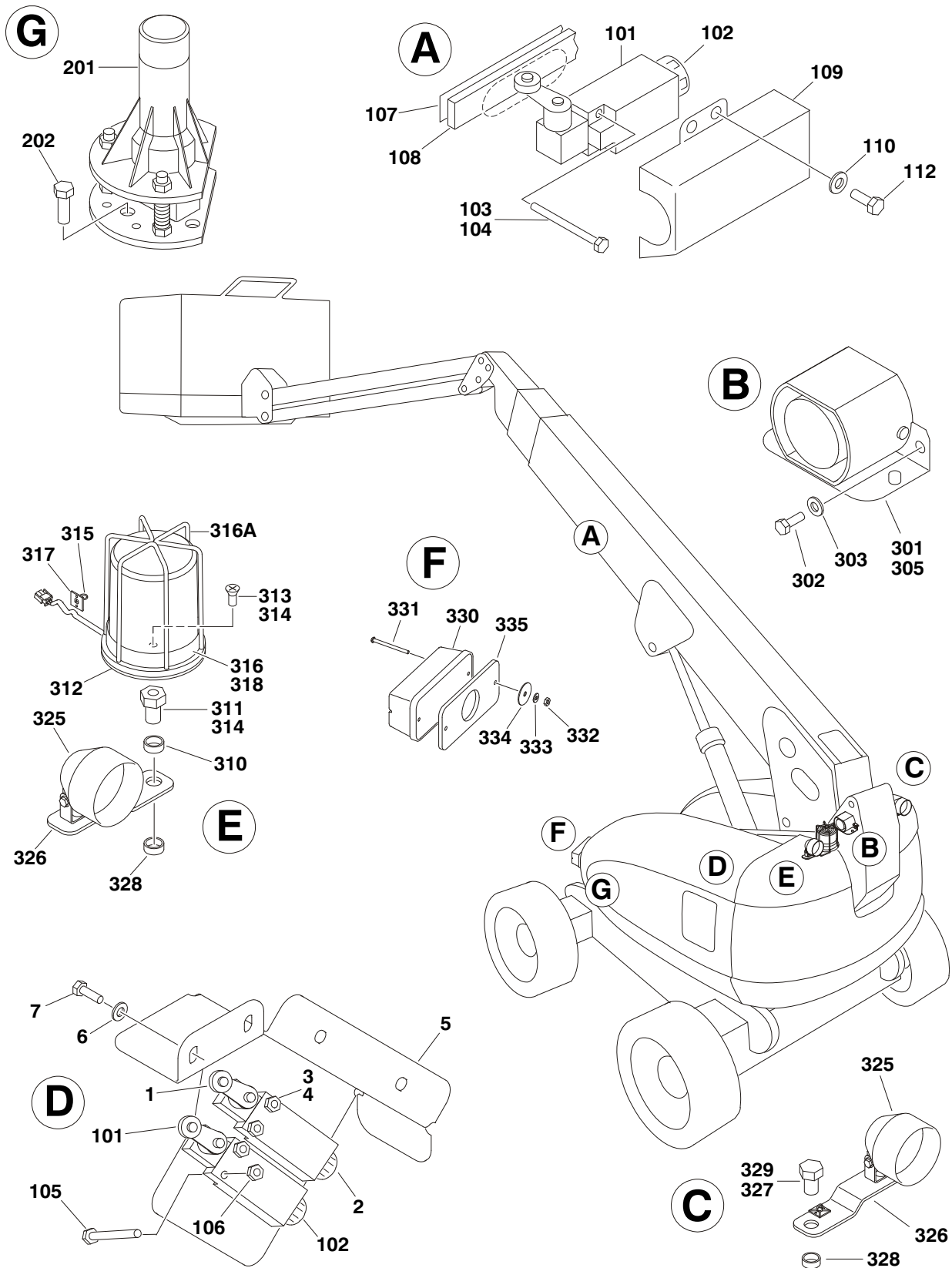
2

T
U
R
N
T
A
B
L
E**

SECTION 2 TURNTABLE

FIGURE 2-26. ELECTRICAL OPTIONS INSTALLATION (TURNTABLE MOUNTED)

SECTION 2 TURNTABLE



SECTION 2 TURNTABLE

FIGURE 2-26. ELECTRICAL OPTIONS INSTALLATION (TURNTABLE MOUNTED)

FIG & ITEM #	PART NUMBER	DESCRIPTION	QTY.	REV.
		ELECTRICAL OPTIONS INSTALLATIONS (TURNTABLE MOUNTED)	Ref	
	0255335	LIMIT SWITCH INSTALLATION - ABOVE HORIZONTAL	Ref	4/E
1	4360322	Switch, Limit	1	
2	4460428	Connector, Strain Relief	1	
3	3930828	Capscrew, Socket Head #8-32NC x 1-3/4in	2	
4	3310805	Locknut #8-32NC	2	
5	1670818	Cover, Limit Switch (SN 0300027349 to SN 0300068000)	1	
6	4751400	Flatwasher 1/4in Regular (SN 0300027349 to SN 0300068000)	4	
7	3931408	Bolt 1/4in-20NC x 1in (SN 0300027349 to SN 0300068000)	4	
	0255698	LIMIT SWITCHES INSTALLATION - DUAL CAPACITY	Ref	4/D
101	4360322	Switch, Limit	2	
102	4460428	Connector, Strain Relief	2	
103	0100035	Compound, Locking	AR	
104	3930816	Capscrew, Socket Head #8-32NC x 1in	2	
105	3930828	Capscrew, Socket Head #8-32NC x 1-3/4in	2	
106	3310805	Locknut #8-32NC	2	
107	4420060	Tape, Double Sided	9ft/2.7m	
108	0362528	Bar, Fiberglass	1	
109	1670824	Cover, Limit Switch (SN 0300027349 to SN 0300068000)	1	
110	4751400	Flatwasher 1/4in Regular (SN 0300027349 to SN 0300068000)	4	
111	Not Used			
112	0641403	Bolt 1/4in-20NC x 3/8in (SN 0300027349 to SN 0300068000)	4	
		TILT INDICATOR SWITCH INSTALLATION	Ref	
	0256375	Standard (Prior to SN 0300061927)	Ref	1
	0271502	ADE System (SN 0300061927 to SN 0300068000)	Ref	1
201	4360417	Switch, Level Sensing	1	
202	0641406	Bolt 1/4in-20NC x 3/4in	2	
203	3311405	Locknut 1/4in-20NC	2	
		ALARMS INSTALLATIONS	Ref	
	0255368	Prior to SN 0300035129 (Colored Wiring)	Ref	2
	0257886	SN 0300035129 to SN 0300061927 (Numbered Colored Wiring)	Ref	1
	0270833	SN 0300061927 to SN 0300068000 (ADE System)	Ref	1
301		Alarm/Harness Assembly Options:	1	
	0255914	Prior to SN 0300035129 (Colored Wiring)		
	0257887	SN 0300035129 to SN 0300068000 (Numbered Colored Wiring)		

SECTION 2 TURNTABLE

SECTION 2 TURNTABLE

FIGURE 2-26. ELECTRICAL OPTIONS INSTALLATION (TURNTABLE MOUNTED) (CONTINUED)

SECTION 2 TURNTABLE

FIG & ITEM #	PART NUMBER	DESCRIPTION	QTY.	REV.
302	0641406	Bolt 1/4in-20NC x 3/4in	2	
303	4711400	Flatwasher 1/4in Thin	2	
304	Not Used			
305	0100048	Sealant, Silicone	AR	
306 to 309	Not Used			
		STROBE LIGHT INSTALLATIONS (AMBER) (OPTIONAL)	Ref	
	0255393	Prior to SN 0300035129 (Colored Wiring)	Ref	1
	0257885	SN 0300035129 to SN 0300061927 (Numbered Colored Wiring)	Ref	2
	0270805	SN 0300061927 to SN 0300068000 (ADE System)	Ref	1
		Note: If machines is equipped with BLUE Strobe Light, see SPECIAL OPTIONS SECTION SkyGuard Kit.	Ref	
310	4220162	Spacer, Stop (Used with ECCO Model 6640 Only)	1	
311		Adapter Options:	1	
	0630491	Adapter used with ECCO Model 6640		
	0080241	Adapter used with ECCO Model 6650		
312	3539281	Plate, Mounting (Used with ECCO Model 6640 Only)	1	
313	0741606	Screw, Flathead Countersunk 3/8in-16NC x 3/4in (Used with ECCO Model 6640 Only)	1	
314	0100011	Compound, Locking	AR	
315	4240032	Wire-Tile	1	
316	Use 0272507	Strobe Light/Guard/Harness Assembly (was p/n 0255917) Note: P/N 0272507 includes Items 311 & 316A.	1	
		Bulb, Replacement Options:	1	
	7016380	Bulb for ECCO Model 6640		
	70001941	Bulb for ECCO Model 6650		
316A		Guard Options:	1	
	4060907	Guard used with ECCO Model 6640		
	2920215	Guard used with ECCO Model 6650		
317	4460234	Clamp	1	
318	0100048	Sealant, Silicone	AR	
319 to 324	Not Used			
		LIGHTS INSTALLATIONS (OPTIONAL)	Ref	
	0255387	Prior to SN 0300035129 (Colored Wiring)	Ref	2
	0257884	SN 0300035129 to SN 0300061927 (Numbered Colored Wiring)	Ref	1
	0270802	SN 0300061927 to SN 0300063909 (ADE System)	Ref	1
	0271552	SN 0300063909 to SN 0300068000 (ADE System)	Ref	2
325	2920110	Headlight	2	
326	0902206	Bracket, Mounting	2	
327	0642612	Bolt 1in-8NC x 1-1/2in	1	
328	4220162	Spacer	2	
329	0100011	Compound, Locking	AR	
330	2920113	Taillight	2	

SECTION 2 TURNTABLE

FIGURE 2-26. ELECTRICAL OPTIONS INSTALLATION (TURNTABLE MOUNTED) (CONTINUED)

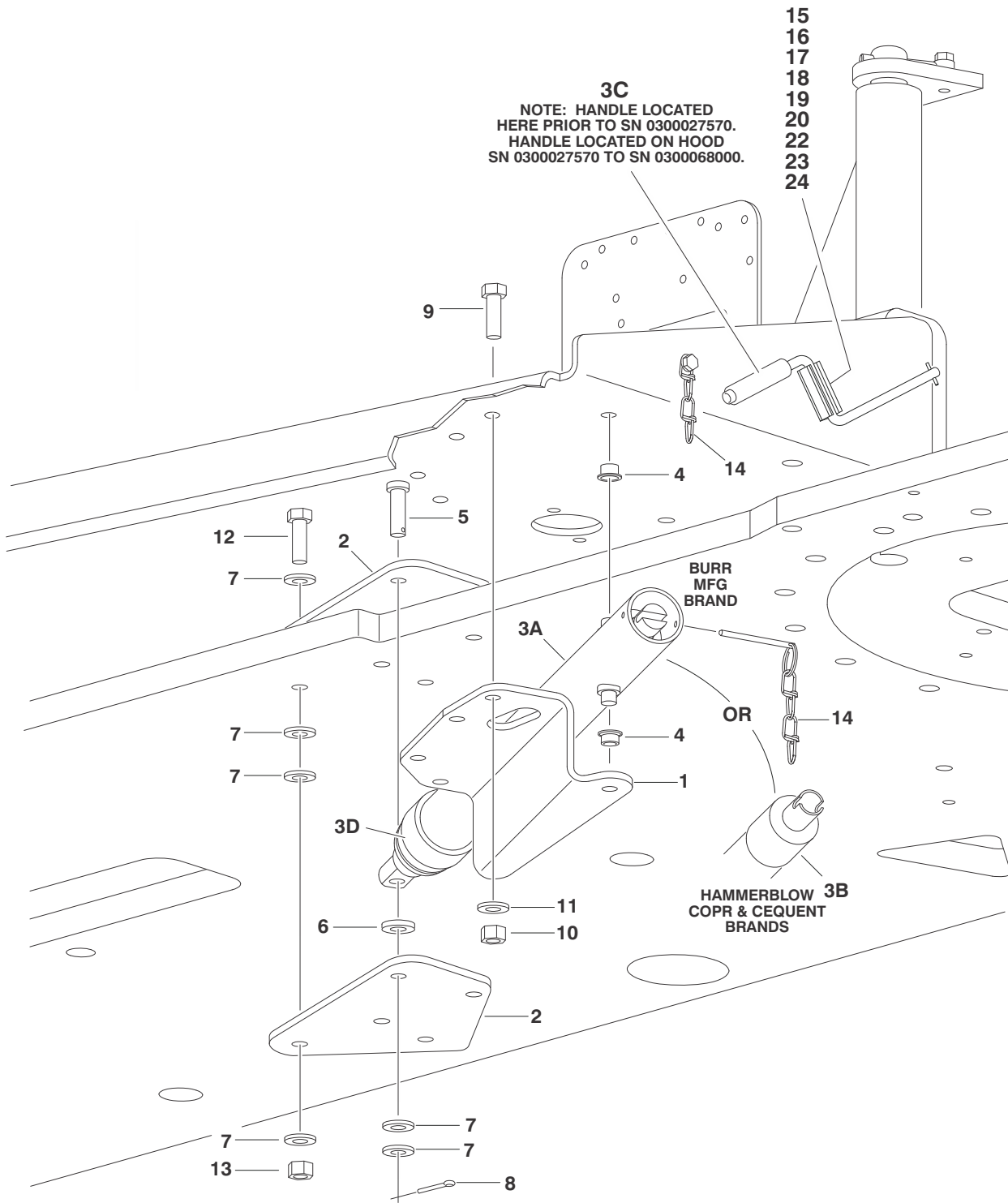
FIG & ITEM #	PART NUMBER	DESCRIPTION	QTY.	REV.
331	3911040	Screw, Machine #10-24NC x 2-1/2in	4	
332	3311005	Nut #10-24NC	4	
333	4751000	Flatwasher #10 Regular	4	
334	4740362	Washer, Fender	4	
335	3960461	Gasket	2	
336	Not Used			
337	4240032	Tie-Strap (Not Shown)	21	
338	4460234	Mount, Tie-Strap (Not Shown)	21	
339	4360336	Switch, Toggle (Not Shown - Located on Console)	1	
340	3790012	O-Ring (Not Shown - Located on Console)	1	
341	3820001	Rivet, Pop (Not Shown) (SN 0300065778 to SN 0300068000)	11	

SECTION 2 TURNTABLE

SECTION 2 TURNTABLE

FIGURE 2-27. ENGINE TRAY JACK INSTALLATION (OPTIONAL)

SECTION 2 TURNTABLE



SECTION 2 TURNTABLE

FIGURE 2-27. ENGINE TRAY JACK INSTALLATION (OPTIONAL)

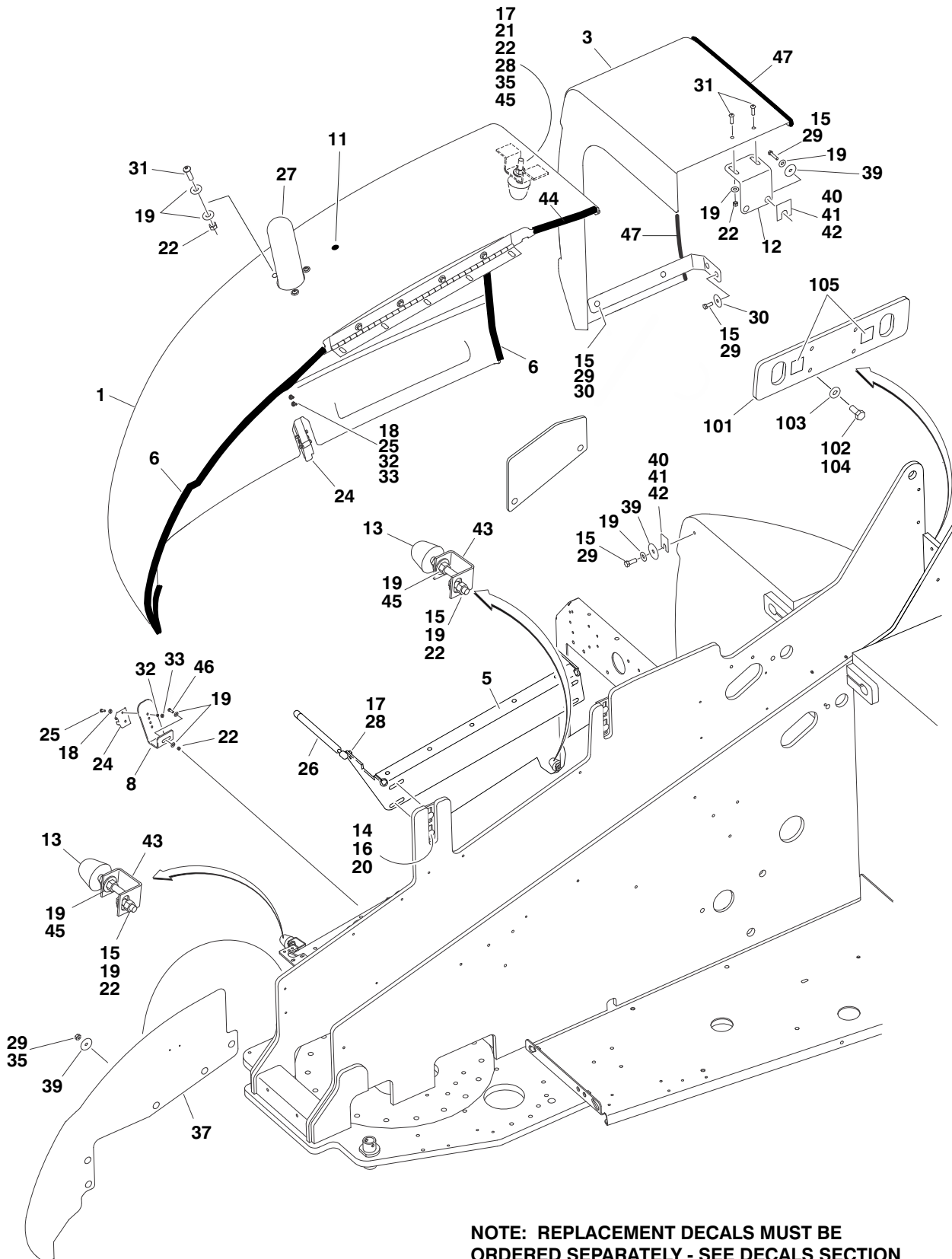
FIG & ITEM #	PART NUMBER	DESCRIPTION	QTY.	REV.
	0255881	ENGINE TRAY JACK INSTALLATION	Ref	2/D
1	3537445	Bracket	1	
2	3537446	Bracket	2	
3	2840016	Hydraulic Jack Assembly Options:	1	D
3A		Burr Manufacturing Brand		
3B		Hammerblow Corp Brand		
3C		Handle Options:	1	
	7016374	Burr Manufacturing Brand		
	7024598	Hammerblow Corp & Cequent Brands		
3D	7016322	Wiper (Burr Manufacturing Brand Only)	1	
4	0962051	Bushing, Flanged	2	
5	3430816	Pin, Clevis	1	
6	4891800	Flatwasher 1/2in Hardened	1	
7	4711800	Flatwasher 1/2in Thin	6	
8	3450404	Pin, Cotter 1/8in x 1in	1	
9	0641609	Bolt 3/8in-16NC x 1-1/8in	4	
10	3311605	Locknut 3/8in-16NC	4	
11	4891600	Flatwasher 3/8in Hardened	4	
12	0641818	Bolt 1/2in-13NC x 2-1/4in	4	
13	3311805	Locknut 1/2in-13NC	4	
14	3422530	Pin & Chain	1	
15	1380147	Clip, Spring	1	
16	3910610	Screw, Machine #6-32NC x 1-1/8in (Prior to SN 0300027570)	2	
17	3310601	Nut #6-32NC (Prior to SN 0300027570)	2	
18	4750600	Flatwasher #6 Regular (Prior to SN 0300027570)	2	
19	4751000	Flatwasher #10 Regular (Prior to SN 0300027570)	2	
20	0100011	Compound, Locking (Prior to SN 0300027570)	AR	
21	Not Used			
22	3910608	Screw #6-32NC x 1in (SN 0300027570 to SN 0300068000)	2	
23	3310601	Nut #6-32NC (SN 0300027658 to SN 0300068000)	2	
24	4770600	Starwasher #6 (SN 0300027658 to SN 0300068000)	2	

SECTION 2 TURNTABLE

SECTION 2 TURNTABLE

FIGURE 2-28. HOODS & LIFTING PLATE INSTALLATIONS - WITHOUT NOISE REDUCTION (PRIOR TO SN 0300027943)

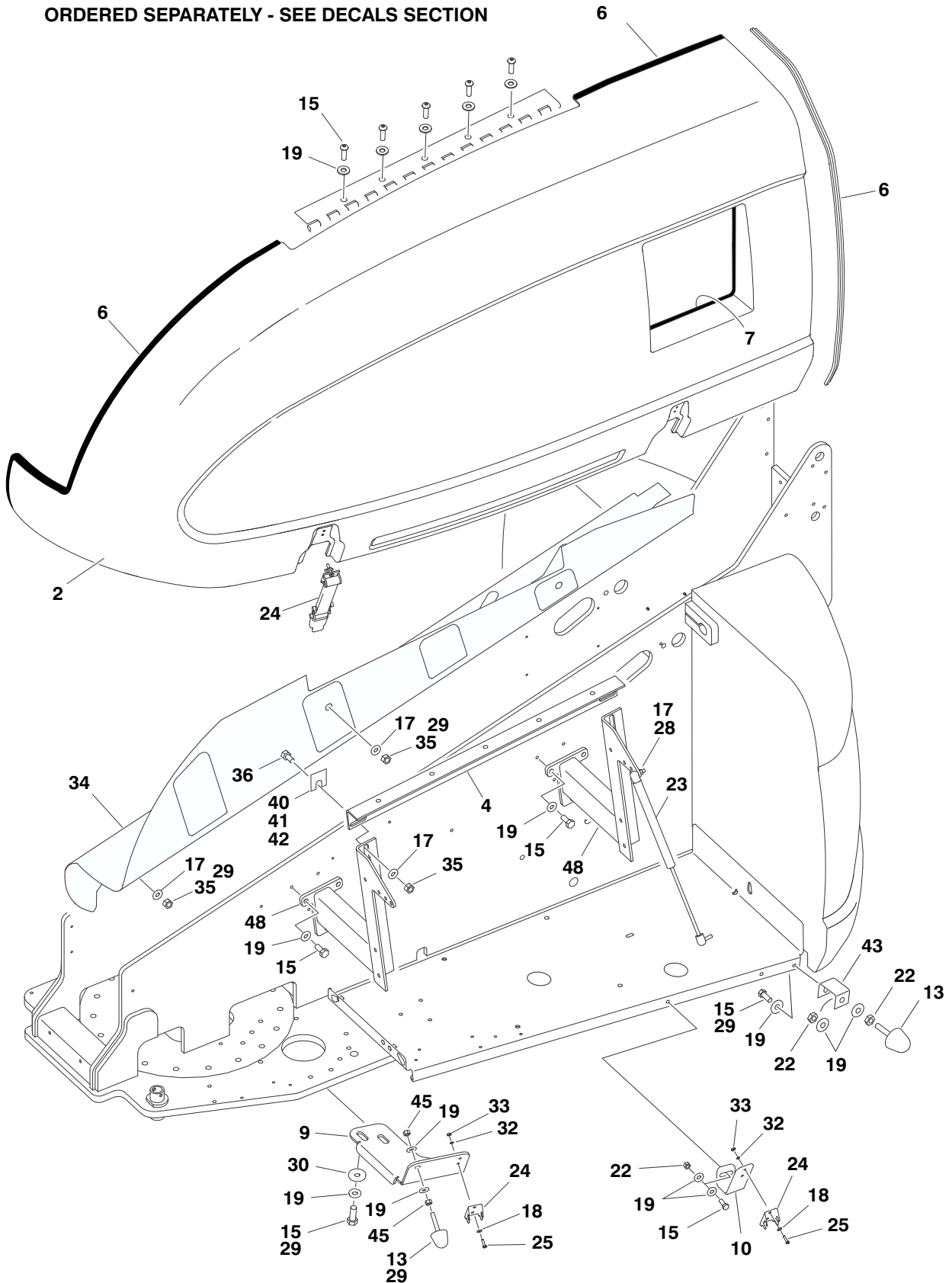
SECTION 2 TURNTABLE



NOTE: REPLACEMENT DECALS MUST BE ORDERED SEPARATELY - SEE DECALS SECTION

SECTION 2 TURNTABLE

NOTE: REPLACEMENT DECALS MUST BE ORDERED SEPARATELY - SEE DECALS SECTION



SECTION 2 TURNTABLE

SECTION 2 TURNTABLE

SECTION 2 TURNTABLE

FIGURE 2-28. HOODS & LIFTING PLATE INSTALLATIONS - WITHOUT NOISE REDUCTION (PRIOR TO SN 0300027943)

FIG & ITEM #	PART NUMBER	DESCRIPTION	QTY.	REV.
		NOTE: Steel Hood Replacement Kits are available for machines built with Deutz engines. Purchase p/n 1001126286. No kits are available for machines built with Continental, Ford or Isuzu Engines.	Ref	
	0255296	HOODS INSTALLATION	Ref	11
1	2680420	Hood Assembly - Engine Side	1	
2	See Note	Hood Assembly - Tank Side (Note: Recommend using P/N 2680437 in place of original P/N 2680421)	1	
3	2680422	Hood Assembly- Engine Spacer	1	
4	See Note	Bracket, Hood Mounting (Note: Recommended using P/N 0902416 in place of original P/N 0902138)	1	
5	0902139	Bracket, Gas Spring	1	
6	3960462	Trim - Strip (Part of Items 1 & 2)	72ft/21.9m	
7	3960447	Trim - Strip (Part of Items 1 & 2)	55in/1.4m	
8	0902222	Bracket, Latch	1	
9	0902223	Bracket, Latch	1	
10	0902143	Bracket, Latch	1	
11	3520033	Plug, Hole	2	
12	0902161	Bracket, Hood Spacer Mounting	1	
13	0940071	Bumper	5	
14	0630507	Bolt, Carriage 1/2in-13NC x 1-1/4in	6	
15	0641608	Bolt 3/8in-16NC x 1in	26	
16	4740171	Flatwasher, Hardened	6	
17	4751500	Flatwasher 5/16in Regular	AR	
18	4751000	Flatwasher #10 Regular	12	
19	4751600	Flatwasher 3/8in Regular	45	
20	3311805	Locknut 1/2in-13NC	6	
21		Bumper Options: (Part of Item 1)	1	
	See Note	Prior to SN 0300027329 (Note: Recommended using P/N 0940071 in place of original P/N 0940049)		
	0940071	SN 0300027329 to SN 0300027943 (Trim to acquire proper fit)		
22	3311605	Locknut 3/8in-16NC	AR	
23	4160139	Spring, Gas (Tank Side)	2	
24	2940088	Latch (Part of Items 1 & 2)	3	
25	0721006	Screw #10-24NC x 3/4in	AR	
26	4160143	Spring, Gas (Engine Side)	2	
27	4845243	Outlet, Exhaust	1	
28	3311505	Locknut 5/16in-18NC	AR	
29	0100011	Compound, Locking	AR	
30	4740076	Washer, Fender	4	
31	3900232	Screw, Button Head 3/8in-16NC x 1-1/4in	5	
32	4761000	Lockwasher #10	AR	
33	3311001	Nut #10-24NC	AR	
34	1670771	Cover	1	
35	3311501	Nut 5/16in-18NC	AR	
36	0641512	Bolt 5/16in-18NC x 1-1/2in	2	

SECTION 2 TURNTABLE

FIGURE 2-28. HOODS & LIFTING PLATE INSTALLATIONS - WITHOUT NOISE REDUCTION (PRIOR TO SN 0300027943) (CONTINUED)

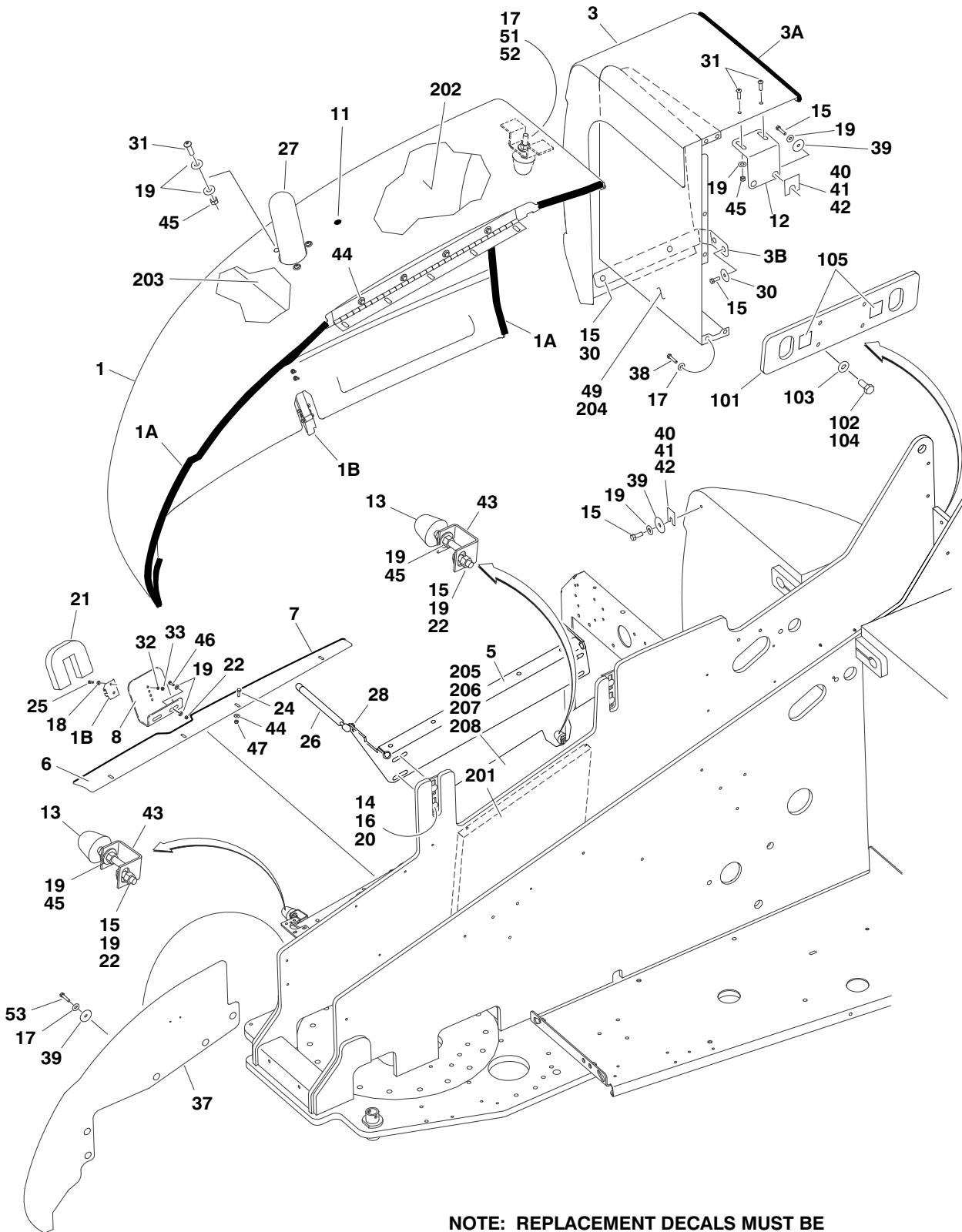
FIG & ITEM #	PART NUMBER	DESCRIPTION	QTY.	REV.
37	1670779	Cover, Side	1	
38	1670780	Cover, Side	1	
39	4740076	Washer, Fender	10	
40	4070410	Shim 1/16in	AR	
41	4070411	Shim 1/8in	AR	
42	4070412	Shim 3/16in	AR	
43	0902219	Bracket, Bumper	2	
44	3960464	Seal (Part of Items 1 & 2)	13ft/4m	
45	3311601	Nut 3/8in-16NC	14	
46	0641612	Bolt 3/8in-16NC x 1-1/2in	1	
47	3960453	Seal (Part of Item 3)	AR	
48	4845356	Hood Mount Weldment	2	
	0256122	LIFTING PLATE INSTALLATION	Ref	1/B
101	3539590	Plate, Lifting	1	
102	0682014	Bolt 5/8in-11NC x 1-3/4in (Grade 8)	4	
103	4892000	Flatwasher 5/8in Hardened	4	
104	0100019	Compound, Locking	AR	
105	1701500	Decal - Tie Down/Lift	2	

SECTION 2 TURNTABLE

SECTION 2 TURNTABLE

FIGURE 2-29. HOODS & LIFTING PLATE INSTALLATIONS - WITH NOISE REDUCTION (SN 0300027943 TO SN 0300068000)

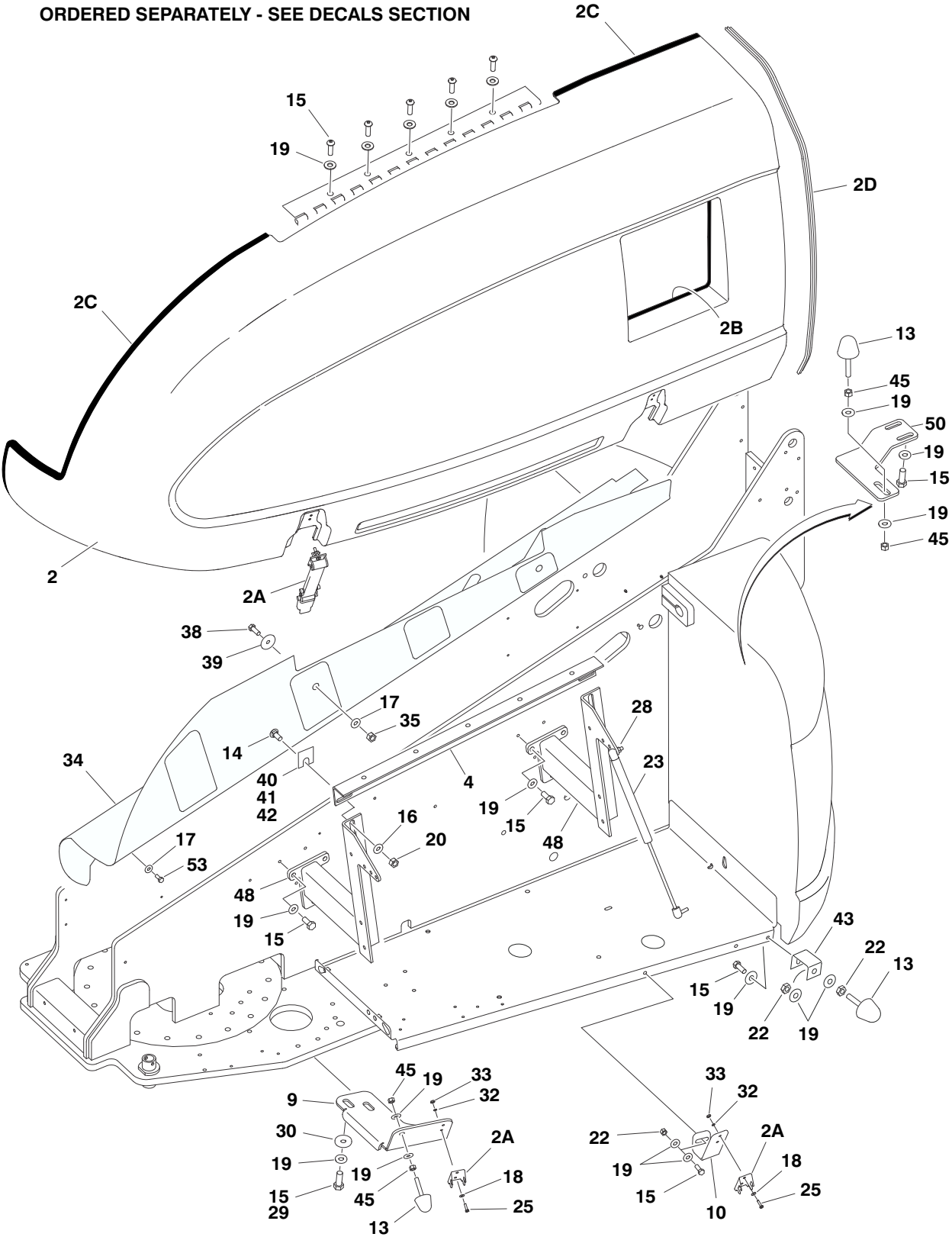
SECTION 2 TURNTABLE



NOTE: REPLACEMENT DECALS MUST BE ORDERED SEPARATELY - SEE DECALS SECTION

SECTION 2 TURNTABLE

NOTE: REPLACEMENT DECALS MUST BE ORDERED SEPARATELY - SEE DECALS SECTION



SECTION 2 TURNTABLE

SECTION 2 TURNTABLE

FIGURE 2-29. HOODS & LIFTING PLATE INSTALLATIONS - WITH NOISE REDUCTION (SN 0300027943 TO SN 0300068000)

FIG & ITEM #	PART NUMBER	DESCRIPTION	QTY.	REV.
		NOTE: Steel Hood Replacement Kits are available for machines built with Deutz engines. Purchase p/n 1001126286. No kits are available for machines built with Continental, Ford or Isuzu Engines.	Ref	
		HOODS INSTALLATIONS	Ref	
	0256830	Standard	Ref	7/G
	0258578	UL (SN 0300039457 to SN 0300068000)	Ref	3
	0270529	ISUZU (SN 0300057373 to SN 0300068000)	Ref	1/A
1		Hood Assembly - Engine Side Options:	1	
	2680420	Standard (Prior to SN 0300038047)		
	2680449	Standard (SN 0300038047 to SN 0300068000)		
	2680443	UL		
	2600209	Hinge		
1A	3960464	Seal	65in/1.67m	
	3960462	Seal	61in/1.55m	
1B	2940088	Latch	1	
2		Hood Assembly - Tank Side Options:	1	
	2680421	Standard (Prior to SN 0300038047)		
	2680448	Standard (SN 0300038047 to SN 0300068000)		
	2680437	UL		
	2600233	Hinge		
2A	2940088	Latch	2	
2B	3960438	Seal	53in/1.35m	
2C	3960464	Seal	83in/2.11m	
2D	3960462	Seal	55in/1.4m	
3		Hood Assembly- Engine Spacer Options:	1	
	2680435	Standard (Prior to SN 0300038047)		
	2680450	Standard (SN 0300038047 to SN 0300068000)		
	2680435	UL		
3A	3960453	Seal	68in/1.73m	
3B	7023366	Bracket	1	
4		Bracket, Hood Mounting Options:	1	
	0902138	Prior to SN 0300035860	1	
	0902416	SN 0300035860 to SN 0300068000	1	
5	0902351	Bracket, Hood Mounting	1	
6	3539934	Plate, Seal	1	
7	3960389	Seal	3.5ft/1m	
8		Bracket, Latch Options:	1	
	0902358	Prior to SN 0300038808		
	0902491	SN 0300038808 to SN 0300068000		
9	0902223	Bracket, Latch	1	
10	0902143	Bracket, Latch	1	
11	3520033	Plug, Hole	2	
12	0902161	Bracket, Hood Spacer Mounting	1	
13	0940071	Bumper	5	
14	0630507	Bolt, Carriage 1/2in-13NC x 1-1/4in	6	
15	0641608	Bolt 3/8in-16NC x 1in	AR	

SECTION 2 TURNTABLE

FIGURE 2-29. HOODS & LIFTING PLATE INSTALLATIONS - WITH NOISE REDUCTION (SN 0300027943 TO SN 0300068000) (CONTINUED)

FIG & ITEM #	PART NUMBER	DESCRIPTION	QTY.	REV.
16	4740171	Flatwasher, Hardened	6	
17	4751500	Flatwasher 5/16in Regular	15	
18	4751000	Flatwasher #10 Regular	12	
19	4751600	Flatwasher 3/8in Regular	AR	
20	3311805	Locknut 1/2in-13NC	6	
21	3960470	Seal	1	
22	3311605	Locknut 3/8in-16NC	5	
23	4160139	Spring, Gas (Tank Side)	2	
24	0641406	Bolt 1/4in-20NC x 3/4in	4	
25	0721006	Screw #10-24NC x 3/4in	6	
26	4160143	Spring, Gas (Engine Side)	2	
27		Outlet, Exhaust Options:	1	
	4845411	Standard		
	Not Required	UL		
	4846257	Isuzu Engine		
28	3311505	Locknut 5/16in-18NC	4	
29	0100011	Compound, Locking	AR	
30	4740076	Washer, Fender	4	
31	3900232	Screw, Button Head 3/8in-16NC x 1-1/4in	5	
32	4761000	Lockwasher #10	6	
33	3311001	Nut #10-24NC	6	
34	1670771	Cover	1	
35	3311501	Nut 5/16in-18NC	12	
36	0641512	Bolt 5/16in-18NC x 1-1/2in	2	
37	1670779	Cover, Side	1	
38	0641506	Bolt 5/16in-18NC x 3/4in	6	
39	4740076	Washer, Fender	AR	
40	4070410	Shim 1/16in	AR	
41	4070411	Shim 1/8in	AR	
42	4070412	Shim 3/16in	AR	
43	0902219	Bracket, Bumper	2	
44	4751400	Flatwasher 1/4in Regular	4	
45	3311601	Nut 3/8in-16NC	AR	
46	0641609	Bolt 3/8in-16NC x 1-1/8in	2	
47	3311405	Locknut 1/4in-20NC	4	
48	4845356	Hood Mount Weldment	2	
49	3539979	Plate, Inlet Baffle	1	
50	0902384	Bracket, Hood Mount	1	
51	0940088	Hood, Bumper (SN 0300039820 to SN 0300068000)	1	
52	3321501	Nut 5/16in-24NF (SN 0300039820 to SN 0300068000)	2	
	0256122	LIFTING PLATE INSTALLATION	Ref	1/B
101	3539590	Plate, Lifting	1	
102	0682014	Bolt 5/8in-11NC x 1-3/4in (Grade 8)	4	
103	4892000	Flatwasher 5/8in Hardened	4	
104	0100019	Compound, Locking	AR	
105	1701500	Decal - Tie Down/Lift	2	

SECTION 2 TURNTABLE

SECTION 2 TURNTABLE

FIGURE 2-29. HOODS & LIFTING PLATE INSTALLATIONS - WITH NOISE REDUCTION (SN 0300027943 TO SN 0300068000) (CONTINUED)

FIG & ITEM #	PART NUMBER	DESCRIPTION	QTY.	REV.
	0256823	NOISE REDUCTION INSTALLATION (DIESEL MACHINES)	Ref	—
201	2820078	Foam, Acoustical	1	
202	2820079	Foam, Acoustical	1	
203	2820080	Foam, Acoustical	1	
204	2820081	Foam, Acoustical	1	
205	3539955	Plate, Baffle	1	
206	0641506	Bolt 5/16in-18NC x 3/4in	2	
207	4751500	Flatwasher 5/16in Regular	2	
208	0100011	Compound, Locking (Not Shown)	AR	

SECTION 3 BOOM

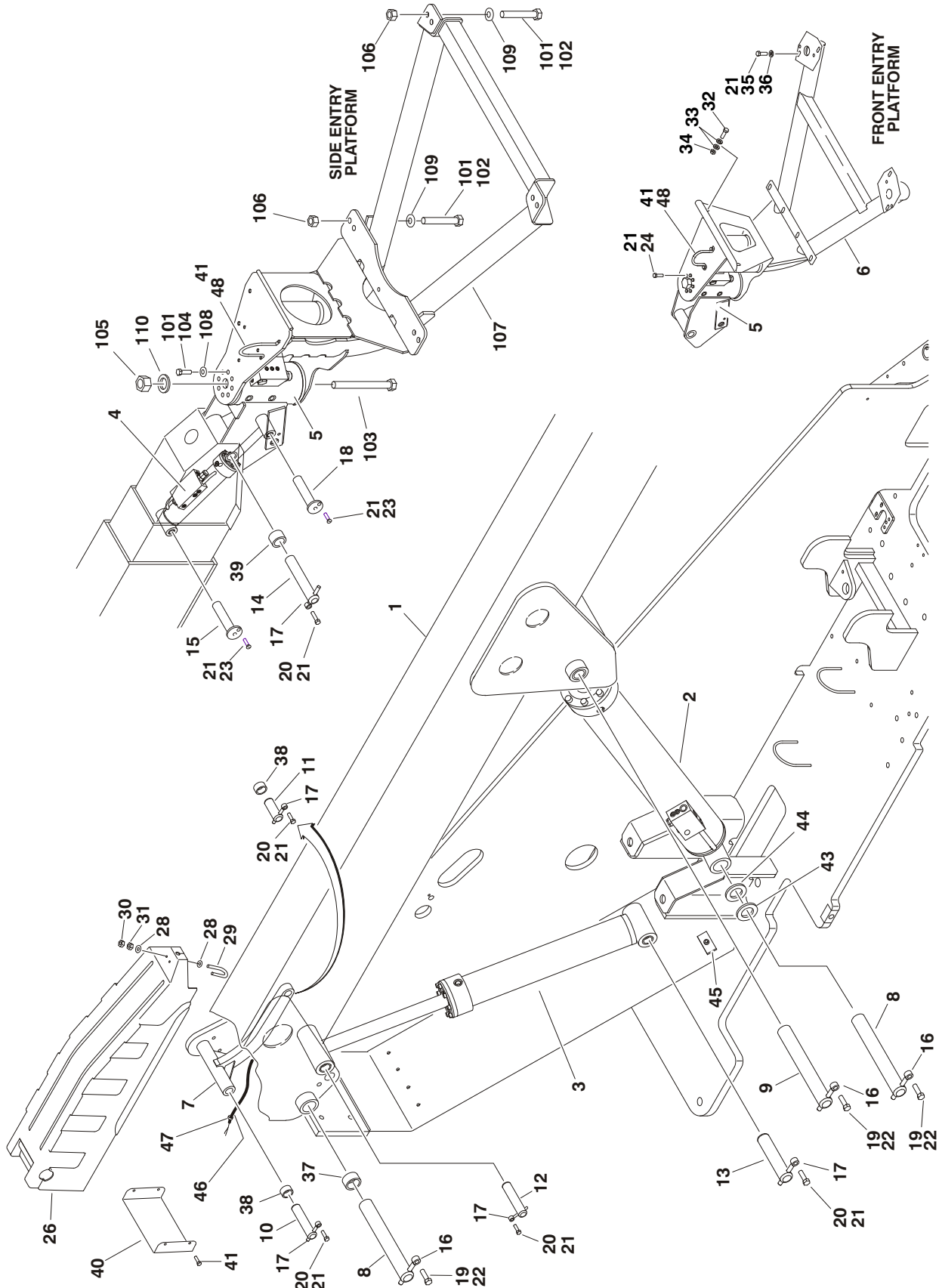
TABLE OF CONTENTS

FIGURE	DESCRIPTION	PAGE
3-1	BOOM INSTALLATION - 600S	3-2
3-2	BOOM INSTALLATION - 600SJ & 660SJ	3-6
3-3	BOOM ASSEMBLIES	3-12
3-4	ROTATOR ASSEMBLIES (FRONT ENTRY PLATFORM)	3-16
3-5	ROTATOR ASSEMBLIES (SIDE ENTRY PLATFORM)	3-20
3-6	POWER TRACK INSTALLATIONS - PLASTIC TRACK (PRIOR TO SN 0300060842)	3-22
3-7	POWER TRACK INSTALLATIONS - STEEL TRACK (SN 0300060842 TO SN 0300068000) ..	3-26

**SECTION
3
BOOM**

SECTION 3 BOOM

FIGURE 3-1. BOOM INSTALLATIONS - 600S



MOORE & ZOO-HOLMS

SECTION 3 BOOM

FIGURE 3-1. BOOM INSTALLATIONS - 600S

FIG & ITEM #	PART NUMBER	DESCRIPTION	QTY.	REV.
		BOOM AND CYLINDERS INSTALLATION	Ref	
	0255223	ANSI Machines (Front Entry Platform Machines Built Prior to SN 0300041810)	Ref	12
	0256318	ANSI Machines (Front Entry Platform Machines Built SN 0300041810 to SN 0300067538)	Ref	6
	0256318	CSA Machines (Front Entry Platform Machines Built Prior to SN 0300068000)	Ref	6
	0272133	ANSI/CSA Machines (Side Entry Platform)	Ref	1
1	0801009	Boom Assembly - 600S (See MAIN BOOM ASSEMBLIES for Breakdown)	1	
2	1683275	Lift Cylinder Assembly (See CYLINDER SECTION for Breakdown)	1	
3	1683266	Master Cylinder Assembly (See CYLINDER SECTION for Breakdown)	1	
4		Platform Level Cylinder Assembly Options: (See CYLINDER SECTION for Breakdown)	1	
	1683271	Prior to SN 0300024714		
	1683415	SN 0300024714 to SN 0300068000		
5		Rotator Assembly Options:	1	
	Use 0060075	Front Entry Platform (p/n was 0060034) (See ROTATOR ASSEMBLIES (FRONT ENTRY PLATFORM) for Breakdown)		
	0060067	Side Entry Platform (See ROTATOR ASSEMBLIES (SIDE ENTRY PLATFORM) for Breakdown)		
6		Support, Platform Options:	1	
	4844790	Front Entry Platform		
	See Note	Side Entry Platform (Note: See Items 101-110)		
7	1001094043	Link, Push (was p/n 4844944)	1	
8		Pin (Cylinder Pivot - T/T End & Boom Pivot) Options:	2	
	Use 3422564	ANSI (Prior to SN 0300041810) (was p/n 3422433)		
	3422564	ANSI (SN 0300041810 to SN 0300068000) & CSA		
9		Pin (Lift Cylinder Pivot - Boom End) Options:	1	
	Use 3422568	ANSI (Prior to SN 0300041810) (was p/n 3422437)		
	3422568	ANSI (SN 0300041810 to SN 0300068000) & CSA		
10		Pin (Link - T/T End) Options:	1	
	Use 3422566	ANSI (Prior to SN 0300041810) (was p/n 3422435)		
	3422566	ANSI (SN 0300041810 to SN 0300068000) & CSA		
11		Pin (Link - Boom End) Options:	1	
	Use 3422557	ANSI (Prior to SN 0300041810) (was p/n 3422418)		
	3422557	ANSI (SN 0300041810 to SN 0300068000) & CSA		
12		Pin (Master Cylinder - Boom End) Options:	1	
	Use 3422567	ANSI (Prior to SN 0300041810) (was p/n 3422436)		
	3422567	ANSI (SN 0300041810 to SN 0300068000) & CSA		
13		Pin (Master Cylinder - T/T End) Options:	1	
	Use 3422565	ANSI (Prior to SN 0300041810) (was p/n 3422434)		
	3422565	ANSI (SN 0300041810 to SN 0300068000) & CSA		
14		Pin (Rotator) Options:	1	
	Use 3422562	ANSI (Prior to SN 0300041810) (was p/n 3422425)		
	3422562	ANSI (SN 0300041810 to SN 0300068000) & CSA		

SECTION 3 BOOM

SECTION 3 BOOM

FIGURE 3-1. BOOM INSTALLATIONS - 600S (CONTINUED)

FIG & ITEM #	PART NUMBER	DESCRIPTION	QTY.	REV.
15	Use 3422569	Pin (Level Cylinder - Boom End) Options: ANSI (Prior to SN 0300041810) (was p/n 3422438)	1	
	3422569	ANSI (SN 0300041810 to SN 0300068000) & CSA		
16	3841258	Keeper, Pin	3	
17	3841143	Keeper, Pin	5	
18	Use 3422580	Pin (Level Cylinder - Rotator End) Options: ANSI (Prior to SN 0300041810) (was p/n 3422489)	1	
	3422580	ANSI (SN 0300041810 to SN 0300068000) & CSA		
19	0642012	Bolt 5/8in-11NC x 1-1/2in	3	
20	0641608	Bolt 3/8in-16NC x 1in	5	
21	0100011	Compound, Locking	AR	
22	0100019	Compound, Locking	AR	
23	0741607	Screw, Countersunk 3/8in-16NC x 7/8in	2	
24	0641810	Bolt 1/2in-13NC x 2-1/2in (Prior to SN 0300067538)	6	
25	3539475	Cover, Boom End (Back) (Prior to SN 0300065004)	1	
26		Cover, Boom Options:	1	
	3539476	Cover, Boom End (Top & Sides) (Prior to SN 0300065004)		
	1671055	Cover (SN 0300065004 to SN 0300068000)		
27	0962057	Bushing (Prior to SN 0300065004)	2	
28		Hardware Options:	AR	
	3340800	Pad, Wear (Prior to SN 0300065004)	1	
	4751400	Flatwasher 1/4in Regular (SN 0300065004 to SN 0300068000)	4	
29	0630458	U-Bolt	1	
30	3311402	Nut, Jam 1/4in-20NC	4	
31		Hardware Options:	AR	
	0641407	Bolt 1/4in-20NC x 7/8in (Prior to SN 0300065004)	4	
	3311401	Locknut 1/4in-20NC (SN 0300065004 to SN 0300068000)	2	
32	0641820	Bolt 1/2in-13NC x 2-1/2in (Front Entry Platform)	4	
33	4711800	Flatwasher 1/2in Thin (Front Entry Platform)	8	
34	3311805	Locknut 1/2in-13NC (Front Entry Platform)	4	
35	0681610	Bolt 3/8in-16NC x 1-1/4in (Grade 8) (Front Entry Platform)	4	
36	4711600	Flatwasher 3/8in Thin (Front Entry Platform)	4	
37	0961950	Bushing	2	
38	0962006	Bushing, Garmax	3	
39	0961951	Bushing, Garmax	2	
40	3539563	Cover	1	
41	0641604	Bolt 3/8in-16NC x 1/2in	6	
42	2080043	Rivnut (Prior to SN 0300065004)	4	
43	4740314	Thrustwasher	AR	
44	4740158	Thrustwasher	AR	
45	1320235	Clamp, Staff (SN 0300027200 to SN 0300068000)	1	
46	4100033	Sleeve (SN 0300027200 to SN 0300068000)	2ft/.3m	
47	4240033	Tie-Strap (SN 0300027200 to SN 0300068000)	2	
48	3841340	Loop, Hose (SN 0300027200 to SN 0300068000)	1	

SECTION 3 BOOM

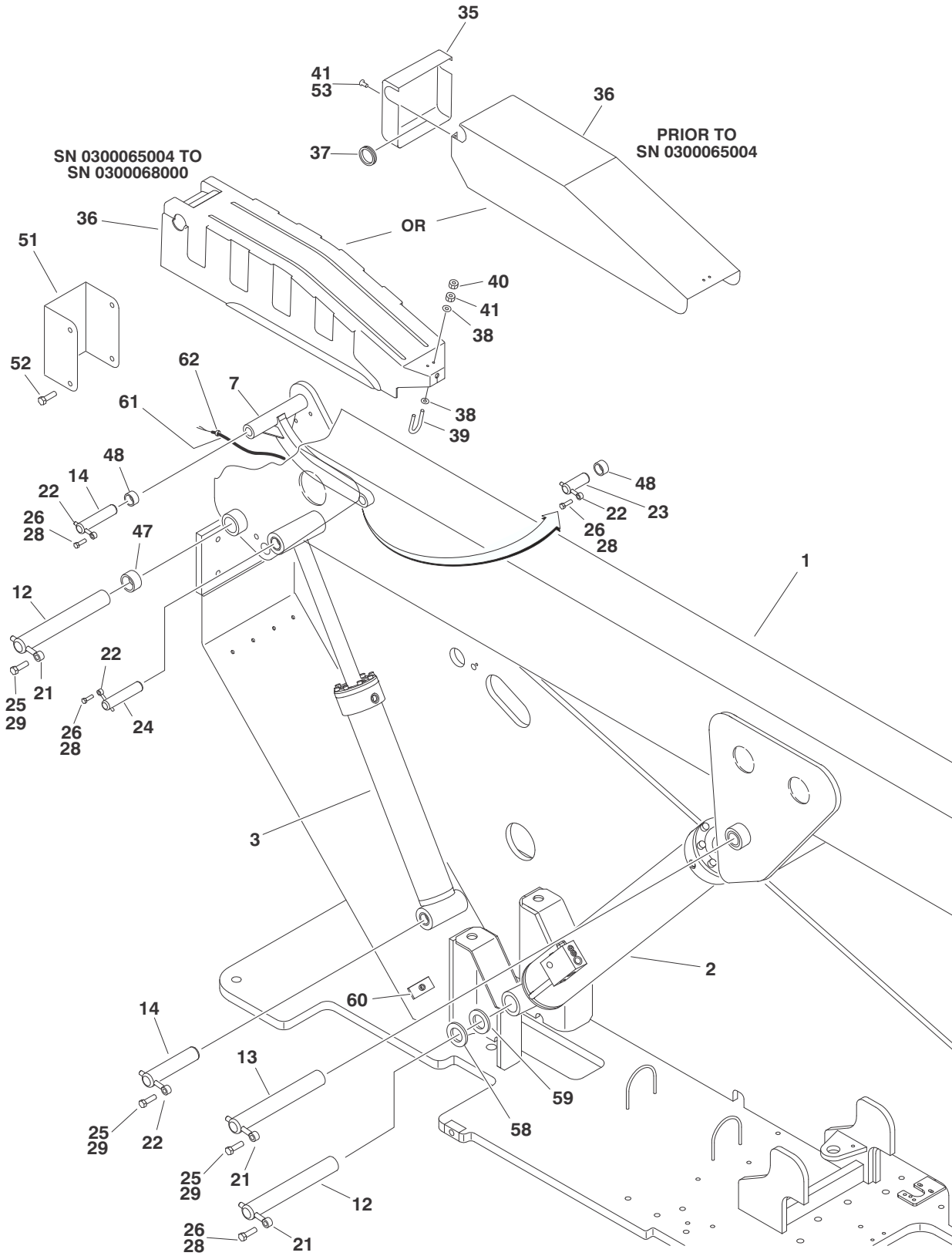
FIGURE 3-1. BOOM INSTALLATIONS - 600S (CONTINUED)

FIG & ITEM #	PART NUMBER	DESCRIPTION	QTY.	REV.
	0272070	SUPPORT INSTALLATIONS (SIDE ENTRY PLATFORM)	Ref	B
101	0100011	Compound, Locking	AR	
102	0641812	Bolt 1/2in-13NC x 1-1/2in	8	
103	0642682	Bolt 1in-8NC x 10-1/4in	1	
104	0681608	Bolt 3/8in-16NC x 1in (Grade 8)	8	
105	3272605	Locknut 1in-8NC	1	
106	3311805	Locknut 1/2in-13NC	8	
107	4846573	Support, Platform	1	
108	4891600	Flatwasher 3/8in Hardened	8	
109	4891800	Flatwasher 1/2in Hardened	8	
110	4892600	Flatwasher 1in Hardened	1	

SECTION 3 BOOM

SECTION 3 BOOM

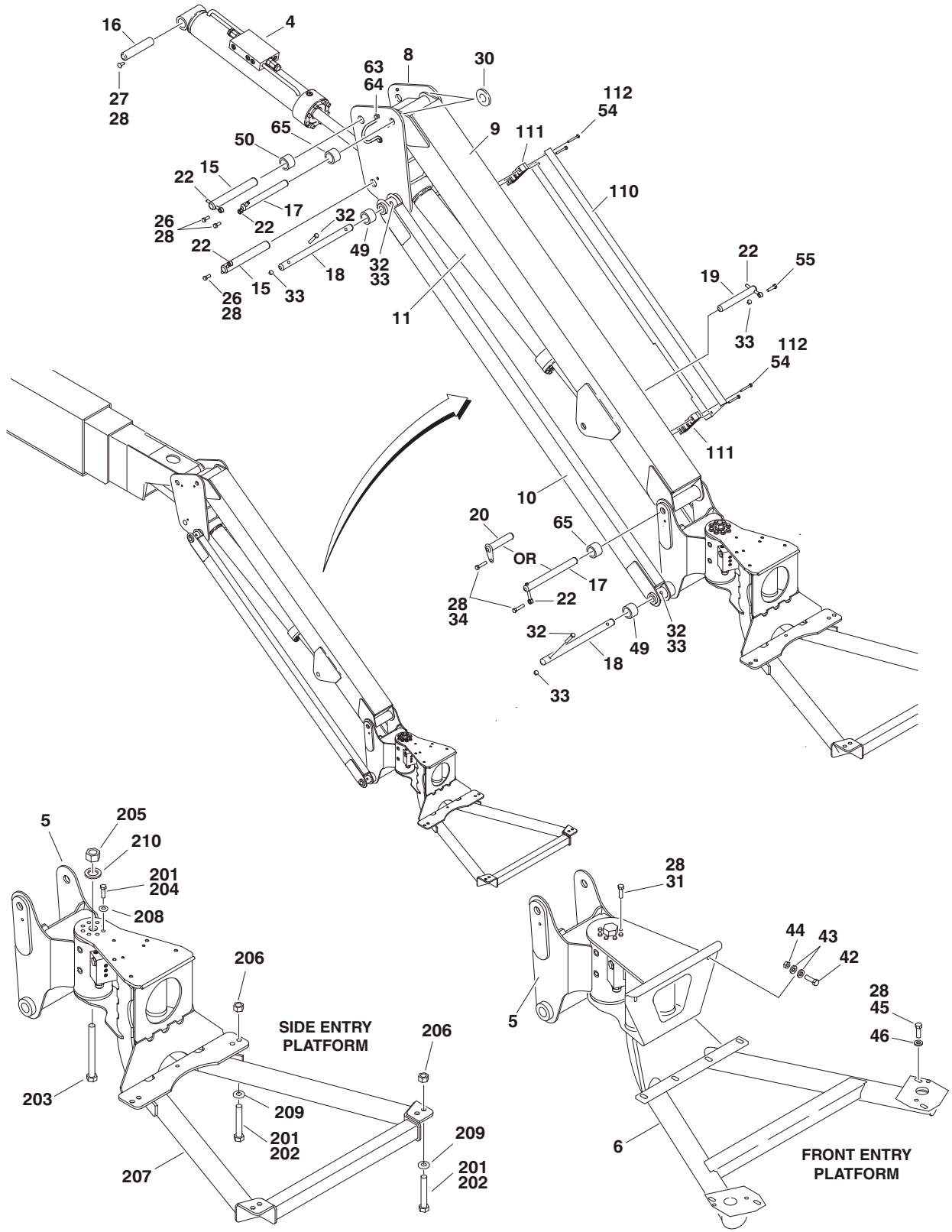
FIGURE 3-2. BOOM INSTALLATIONS - 600SJ & 660SJ



SECTION 3 BOOM

SECTION 3 BOOM

SECTION 3 BOOM



SECTION 3 BOOM

FIGURE 3-2. BOOM INSTALLATIONS - 600SJ & 660SJ

SECTION 3 BOOM

FIG & ITEM #	PART NUMBER	DESCRIPTION	QTY.	REV.
		BOOM & CYLINDERS INSTALLATIONS	Ref	
		ANSI Machines - Front Entry Platform	Ref	
	0255289	600SJ - SN 0300041810	Ref	13
	0256320	600SJ - SN 0300041810 to SN 0300061927	Ref	7
	0255224	660SJ - SN 0300041810	Ref	
	0256319	660SJ - SN 0300041810 to SN 0300061927	Ref	
		CSA Machines - Front Entry Platform	Ref	
	0256320	600SJ - Prior to SN 0300061927	Ref	7
	0256319	660SJ - Prior to SN 0300061927	Ref	6
		ANSI/CSA Machines - Front Entry Platform	Ref	
	0271320	600SJ - SN 0300061927 to SN 0300068000	Ref	3
	0271319	660SJ - SN 0300061927 to SN 0300068000	Ref	3
		ANSI/CSA Machines - Side Entry Platform	Ref	
	0272139	600SJ	Ref	1
	0272137	660SJ	Ref	1
1		Boom Assembly Options: (See MAIN BOOM ASSEMBLIES for Breakdown)	1	
	0801035	600SJ	1	
	0801010	660SJ	1	
2	1683275	Boom Lift Cylinder Assembly (See CYLINDER SECTION for Breakdown)	1	
3	1683263	Master Cylinder Assembly (See CYLINDER SECTION for Breakdown)	1	
4		Platform Level Cylinder Assembly Options: (See CYLINDER SECTION for Breakdown)	1	
	1683253	Prior to SN 0300024714		
	1683418	SN 0300024714 to SN 0300068000		
5		Rotator Assembly Options:	1	
	Use 1001103095	Front Entry Platform (p/n was 0060031 - See ROTATOR ASSEMBLIES (FRONT ENTRY PLATFORM) for Breakdown) (Kit p/n 1001103095 includes p/n 0060074 actuator, attaching pin & hardware)		
	0060066	Side Entry Platform (See ROTATOR ASSEMBLIES (SIDE ENTRY PLATFORM) for Breakdown)		
6		Support, Platform Options:	1	
	4844790	Front Entry Platform		
	See Note	Side Entry Platform (Note: See Items 201-210)		
7	1001094043	Link, Push (was p/n 4844944)	1	
8	4844815	Pivot	1	
9	4844816	Tube (Top)	1	
10	4844817	Tube (Bottom)	2	
11	1683258	Articulating Jib Lift Cylinder Assembly (See CYLINDER SECTION for Breakdown)	1	
12		Pin (Boom Pivot & Lift Cylinder Pivot - T/T End)	2	
	Use 3422564	ANSI (Prior to SN 0300041810) (was p/n 3422433)		
	3422564	ANSI (SN 0300041810 to SN 0300068000) & CSA		

SECTION 3 BOOM

FIGURE 3-2. BOOM INSTALLATIONS - 600SJ & 660SJ (CONTINUED)

FIG & ITEM #	PART NUMBER	DESCRIPTION	QTY.	REV.
13	Use 3422568 3422568	Pin (Boom Lift Cylinder - Boom End) ANSI (Prior to SN 0300041810) (was p/n 3422437) ANSI (SN 0300041810 to SN 0300068000) & CSA	1	
14	Use 3422566 3422566	Pin (Link - T/T End & Master Cylinder - T/T End) ANSI (Prior to SN 0300041810) (was p/n 3422435) ANSI (SN 0300041810 to SN 0300068000) & CSA	2	
15	Use 3422561 3422561	Pin (Articulating Jib Cylinder - Pivot End & Pivot - Boom End) ANSI (Prior to SN 0300041810) (was p/n 3422422) ANSI (SN 0300041810 to SN 0300068000) & CSA	2	
16	Use 3422583 3422583	Pin (Articulating Jib Level Cylinder - Boom End) ANSI (Prior to SN 0300041810) (was p/n 3422440) ANSI (SN 0300041810 to SN 0300068000) & CSA	1	
17	Use 3422860 Use 3422860 3422860	Pin (Top Tube - Pivot End) ANSI (Prior to SN 0300041810) (was p/n 3422419) ANSI (SN 0300041810 to SN 0300053995) & CSA (was p/n 3422558) ANSI & CSA (SN 0300053995 to SN 0300068000)	2	
18	Use 3422861 Use 3422861 3422861	Pin (Bottom Tube - Both Ends) ANSI (Prior to SN 0300041810) (was p/n 3422420) ANSI (SN 0300041810 to SN 53995) & CSA (was p/n 3422559) ANSI & CSA (SN 0300053995 to SN 0300068000)	2	
19	Use 3422867 Use 3422867 3422867	Pin (Articulating Jib Lift Cylinder - Top Tube End) ANSI (Prior to SN 0300041810) (was p/n 3422421) ANSI (SN 0300041810 to SN 0300053995) & CSA (was p/n 3422560) ANSI & CSA (SN 0300053995 to SN 0300068000)	1	
20	Use 3422563 3422563	Pin (Top Tube - Rotator End) ANSI (Prior to SN 0300041810) (was p/n 3422432) ANSI (SN 0300041810 to SN 0300067538) & CSA	1	
21	3841258	Keeper, Pin	3	
22	3841143	Keeper, Pin	9	
23	Use 3422557 3422557	Pin (Link - Boom) ANSI (Prior to SN 0300041810) (was p/n 3422418) ANSI (SN 0300041810 to SN 0300068000) & CSA	1	
24	Use 3422574 3422574	Pin (Master Cylinder - Boom End) ANSI (Prior to SN 0300041810) (was p/n 3422445) ANSI (SN 0300041810 to SN 0300068000) & CSA	1	
25	0642012	Bolt 5/8in-11NC x 1-1/2in	3	
26	0641608	Bolt 3/8in-16NC x 1in	7	
27	0741607	Screw, Countersunk 3/8in-16NC x 7/8in	1	
28	0100011	Compound, Locking	AR	
29	0100019	Compound, Locking	AR	
30	4740439	Thrustwasher	2	
31	0641810	Bolt 1/2in-13NC x 1-1/4in (Front Entry Platform)	6	
32	0641618	Bolt 3/8in-16NC x 2-1/4in	4	
33	3311605	Locknut 3/8in-16NC	5	
34	0641614	Bolt 3/8in-16NC x 1-3/4in	1	

SECTION 3 BOOM

SECTION 3 BOOM

FIGURE 3-2. BOOM INSTALLATIONS - 600SJ & 660SJ (CONTINUED)

FIG & ITEM #	PART NUMBER	DESCRIPTION	QTY.	REV.
35	3539475	Cover, Boom End (Back) (Prior to SN 0300065004)	1	
36		Cover, Boom Options:	1	
	3539476	Cover, Boom End (Top & Sides) (Prior to SN SN 0300065004)		
	1671055	Cover (SN 0300065004 to SN 0300068000)		
37	0962057	Bushing (Prior to SN 0300065004)	2	
38		Hardware Options:	AR	
	3340800	Pad, Wear (Prior to SN 0300065004)	1	
	4751400	Flatwasher 1/4in Regular (SN 0300065004 to SN 0300068000)	4	
39	0630458	U-Bolt	1	
40	3311402	Nut, Jam 1/4in-20NC	4	
41		Hardware Options:	AR	
	0641407	Bolt 1/4in-20NC x 7/8in (Prior to SN 0300065004)	4	
	3311402	Locknut 1/4in-20NC (SN 0300065004 to SN 0300068000)	2	
42	0641820	Bolt 1/2in-13NC x 2-1/2in (Front Entry Platform)	4	
43	4711800	Flatwasher 1/2in Thin (Front Entry Platform)	8	
44	3311805	Locknut 1/2in-13NC (Front Entry Platform)	4	
45	0681610	Bolt 3/8in-16NC x 1-1/4in (Grade 8) (Front Entry Platform)	4	
46	4711600	Flatwasher 3/8in Thin (Front Entry Platform)	4	
47	0961950	Bushing, Composite	2	
48	0962006	Bushing, Composite	3	
49	0961947	Bushing, Composite	10	
50	0961951	Bushing, Composite	2	
51	3539563	Cover	1	
52	0641604	Bolt 3/8in-16NC x 1/2in	4	
53	2080043	Rivnut (Prior to SN 0300065004)	4	
54	2080044	Rivnut	4	
55	0641611	Bolt 3/8in-16NC x 1-3/8in	1	
56 to 57	Not Used			
58	4740314	Thrustwasher	AR	
59	4740158	Thrustwasher	AR	
60	1320235	Clamp (SN 0300027200 to SN 0300068000)	1	
61	4100033	Sleeve, Abrasion (SN 0300027200 to SN 0300068000)	2ft/.6m	
62	4240033	Tie-Strap (SN 0300027200 to SN 0300068000)	2	
63	3841340	Clamp, Loop (SN 0300027200 to SN SN 03000 68000)	1	
64	0641606	Bolt 3/8in-16NC x 3/4in (SN 0300027200 to SN 0300068000)	2	
65		Bushing, Options:	4	
	0961947	Prior to SN 0300053995		
	0962335	SN 0300053995 to SN 0300068000		

SECTION 3 BOOM

SECTION 3 BOOM

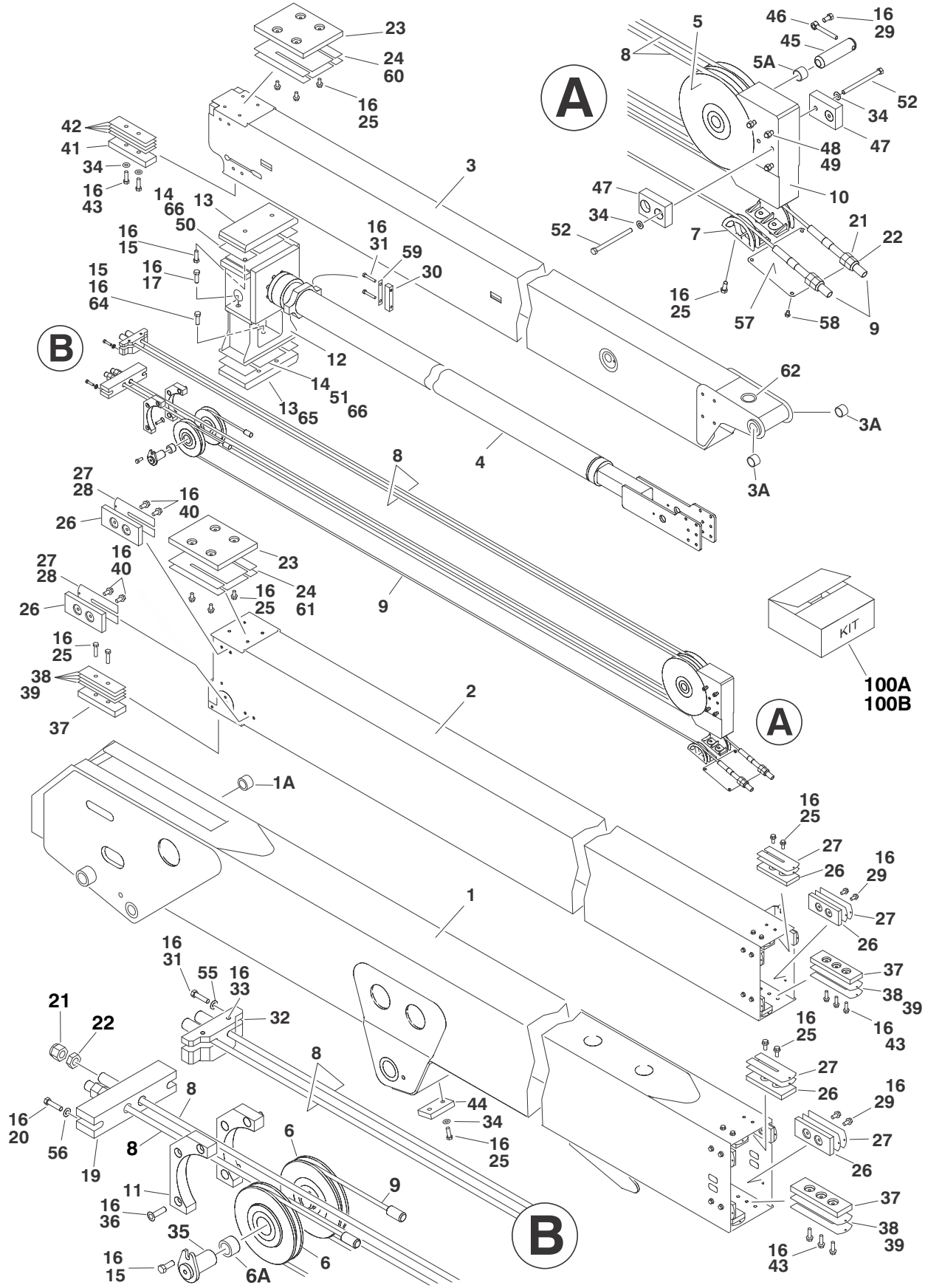
FIGURE 3-2. BOOM INSTALLATIONS - 600SJ & 660SJ (CONTINUED)

FIG & ITEM #	PART NUMBER	DESCRIPTION	QTY.	REV.
		BOOM CABLES INSTALLATION	Ref	
	0255896	600SJ - 2WS (Prior to SN 0300061927)	Ref	7
	0270738	600SJ - 2WS (ADE System) (SN 0300061927 to SN 0300068000)	Ref	2
	0256939	600SJ - 4WS	Ref	3
	0255365	660SJ - 2WS (Prior to SN 0300061927)	Ref	8
	0270736	660SJ - 2WS (ADE System) (SN 0300061927 to SN 0300068000)	Ref	2
	0256936	660SJ - 4WS	Ref	2
101 to 109	Not Used			
110	1670769	Cover	1	
111	0561237	Clamp, Block	2	
112	0641416	Bolt 1/4in-20NC x 2in	4	
	0272070	SUPPORT INSTALLATIONS (SIDE ENTRY PLATFORM)	Ref	B
201	0100011	Compound, Locking	AR	
202	0641812	Bolt 1/2in-13NC x 1-1/2in	8	
203	0642682	Bolt 1in-8NC x 10-1/4in	1	
204	0681608	Bolt 3/8in-16NC x 1in (Grade 8)	8	
205	3272605	Locknut 1in-8NC	1	
206	3311805	Locknut 1/2in-13NC	8	
207	4846573	Support, Platform	1	
208	4891600	Flatwasher 3/8in Hardened	8	
209	4891800	Flatwasher 1/2in Hardened	8	
210	4892600	Flatwasher 1in Hardened	1	

SECTION 3 BOOM

SECTION 3 BOOM

FIGURE 3-3. MAIN BOOM ASSEMBLIES



SECTION 3 BOOM

SECTION 3 BOOM

FIGURE 3-3. MAIN BOOM ASSEMBLIES

FIG & ITEM #	PART NUMBER	DESCRIPTION	QTY.	REV.
		MAIN BOOM ASSEMBLY OPTIONS:	Ref	
	0801009	600S	Ref	21/N
	0801035	600SJ	Ref	17/J
	0801010	660SJ	Ref	19/L
1		Base Weldment Options:	1	
	0801011	600S (Prior to SN 0300043309)		
	0801167	600S (SN 0300043309 to SN 0300063251)		
	0801011	600S (SN 0300063251 to SN 0300068000)		
	0801036	600SJ		
	0801011	660SJ		
1A	0961950	Bushing, Garmax	2	
2		Mid Weldment Options:	1	
	0801012	600S & 660SJ		
	0801037	600SJ		
3		Fly Weldment Options:	1	
	0801065	600S		
	0801038	600SJ		
	0801014	660SJ		
3A	0961951	Bushing, Garmax (600SJ & 660SJ Only)	2	
4		Telescope Cylinder Assembly Options: (See CYLINDER SECTION for Breakdown)	1	
	1683248	600S & 660SJ (Prior to SN 0300034517)		
	1683618	600S & 660SJ (SN 0300034517 to SN 0300068000)		
	1683357	600SJ (Prior to SN 0300034517)		
	1683620	600SJ (SN 0300034517 to SN 0300068000)		
5	3580241	Sheave Assembly (Extend)	1	2/B
5A	0961951	Bushing, Garmax	2	
6	3580243	Sheave Assembly (Retract)	2	1/A
6A	0961951	Bushing, Garmax (1 Per Sheave)	2	
7		Block, Sheave Options:	2	
	3580244	Prior to SN 0300041810		
	1220078	SN 0300041810 to SN 0300068000		
8		Cable (Extend) Options:	2	
	3890005	600S & 660SJ		
	3890007	600SJ		
9		Cable (Retract) Options:	2	
	3890006	600S & 660SJ		
	3890008	600SJ		
10	3580248	Guard, Sheave (Extend)	1	
11	3580249	Guard, Sheave (Retract)	2	
12		Support, Wear Pad Options:	1	
	4845105	Prior to SN 0300038808		
	1220042	SN 0300038808 to SN 0300056365		
	4846319	SN 0300056365 to SN SN 0300068000		
13		Pad, Wear Options:	1	
	3340759	Prior to SN 0300038808		
	3340844	SN 0300038808 to SN 0300068000		

SECTION 3 BOOM

SECTION 3 BOOM

FIGURE 3-3. MAIN BOOM ASSEMBLIES (CONTINUED)

FIG & ITEM #	PART NUMBER	DESCRIPTION	QTY.	REV.
14		Shim .05 Options:	AR	
	4070909	Prior to SN 0300038808		
	4070975	SN 0300038808 to SN 0300068000		
15	0641608	Bolt 3/8in-16NC x 1in	AR	
16	0100011	Compound, Locking	AR	
17	0681612	Bolt 3/8in-16NC x 1-1/2in (Grade 8)	4	
18	Not Used			
19	0561184	Block, Cable	1	
20	0641824	Bolt 1/2in-13NC x 3in	2	
21	3312201	Nut 3/4in-10NC	4	
22	3300241	Locknut, Special 3/4in-10NC	4	
23	3340757	Pad, Wear	2	
24	4070896	Shim (.06) (Without Slide-In Slots)	4	
25	0641607	Bolt 3/8in-16NC x 7/8in	20	
26		Pad, Wear Options:	20	
	3340756	Prior to SN 0300064395		
	3340881	SN 0300064395 to SN 0300068000		
27	4070897	Shim (.05) (Without Slide-In Slots)	28	
28	4070898	Shim (.12) (Without Slide-In Slots)	24	
29	0641605	Bolt 3/8in-16NC x 5/8in	16	
30	0561185	Block	2	
31	0641618	Bolt 3/8in-16NC x 2-1/4in	6	
32	0561183	Block, Cable	1	
33	3951608	Setscrew 3/8in-16NC x 1in	2	
34	4711600	Flatwasher 3/8in Thin	14	
35	3422424	Pin (Retract Sheave)	2	
36	0741612	Screw, Countersunk 3/8in-16NC x 1-1/2in	6	
37		Pad, Wear Options:	5	
	3340705	Prior to SN 0300064395		
	3340871	SN 0300064395 to SN 0300068000		
38	4070863	Shim (.12)	12	
39	4070864	Shim (.05)	12	
40	0641613	Bolt 3/8in-16NC x 1-5/8in	8	
41	3340758	Pad, Wear	2	
42	4070895	Shim (.06)	8	
43	0641610	Bolt 3/8in-16NC x 1-1/4in	14	
44	0561076	Block	1	
45	3422417	Pin (Extend Sheave)	2	
46	3841143	Keeper, Pin	1	
47	3340755	Pad, Wear	2	
48	0641634	Bolt 3/8in-16NC x 4-1/4in	4	
49	3311605	Locknut 3/8in-16NC	4	
50		Shim (.12) Options:	1	
	4070910	Prior to SN 0300038808		
	4070976	(SN 0300038808 to SN 0300068000)		
51		Shim (.25) Options:	1	
	4070911	Prior to SN 0300038808		
	4070977	SN 0300038808 to SN 0300056365		
	4071004	SN 0300056365 to SN 0300068000		

SECTION 3 BOOM

SECTION 3 BOOM

FIGURE 3-3. MAIN BOOM ASSEMBLIES (CONTINUED)

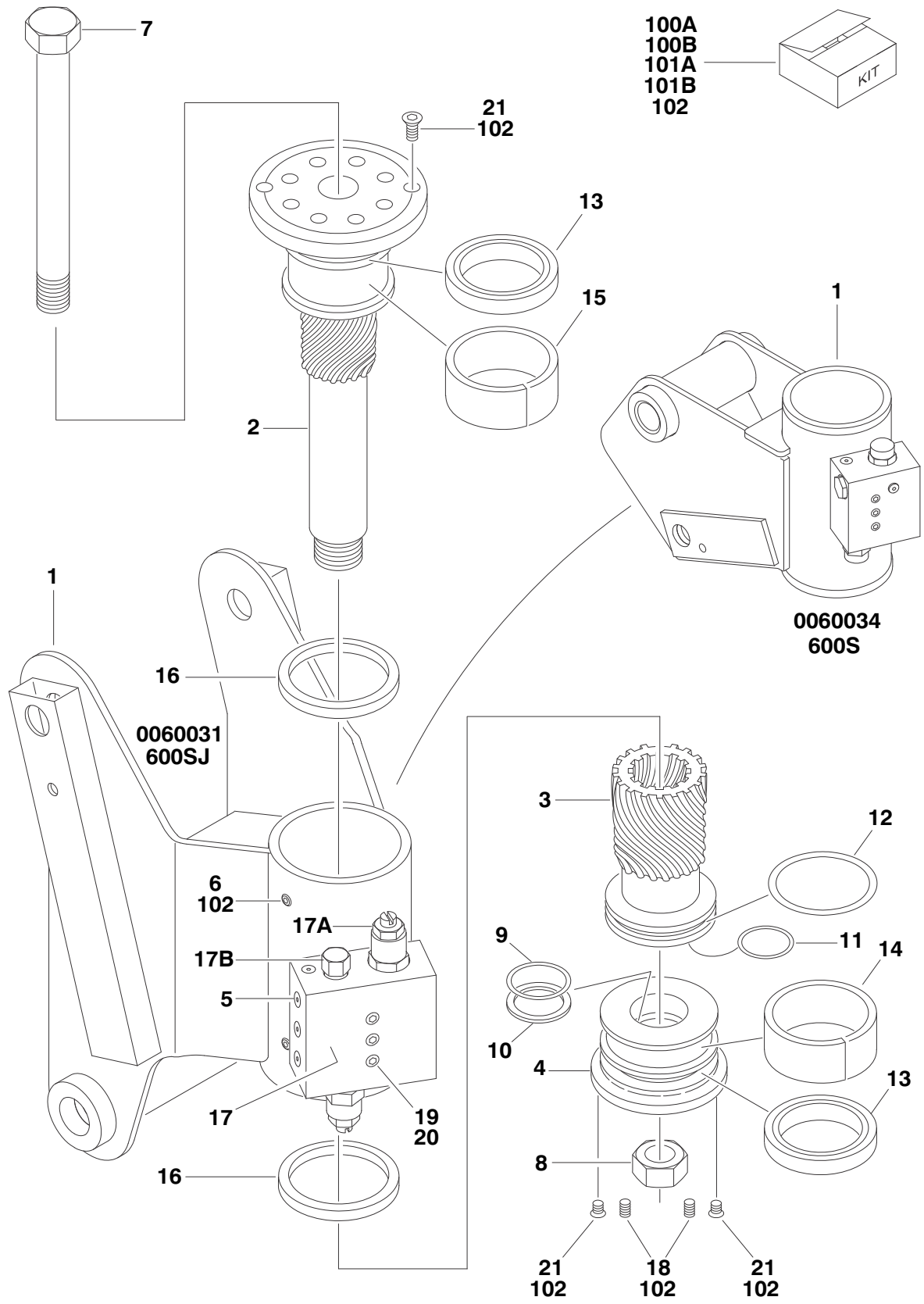
FIG & ITEM #	PART NUMBER	DESCRIPTION	QTY.	REV.
52	0641640	Bolt 3/8in-16NC x 5in	2	
53 to 54	Not Used			
55	4891600	Flatwasher 3/8in Hardened	6	
56	4891800	Flatwasher 1/2in Hardened	2	
57	3539622	Plate, Cover	1	
58	0641403	Bolt 1/4in-20NC x 3/8in	4	
59	4070929	Shim	AR	
60	4070939	Shim 16Ga (With Slide-In Slots)	AR	
61	4070940	Shim 16Ga (With Slide-In Slots)	AR	
62	4060805	Flex-Trim (SN 0300027207 to SN 0300068000)	6in/16cm	
63	1670836	Cover, Boom (Not Shown) (SN 0300027207 to SN 0300068000)	8	
64	0681608	Bolt 3/8in-16NC x 1in (SN 0300056365 to SN 0300068000)	4	
65		Pad, Wear Options:	1	
	3340759	Prior to SN 0300038808		
	3340844	SN 0300038808 to SN 0300056365		
	3340900	SN 0300056365 to SN 0300068000		
66	4071005	Shim (SN 0300056365 to SN 0300068000)	AR	
100		----- Kit, Wear Pad Support (Includes Items 12, 51, 64, 65 & 66)	1	
100A	See Note	Wear Pad Kit Prior to SN 0300056365 (Note: Not Available - Purchase Individual Items)		
100B	2901986	Wear Pad Kit SN 0300056365 to SN 0300068000		

SECTION 3 BOOM

SECTION 3 BOOM

FIGURE 3-4. ROTATOR ASSEMBLIES (FRONT ENTRY PLATFORM)

SECTION 3 BOOM



SECTION 3 BOOM

FIGURE 3-4. ROTATOR ASSEMBLIES (FRONT ENTRY PLATFORM)

FIG & ITEM #	PART NUMBER	DESCRIPTION	QTY.	REV.
		ROTATOR ASSEMBLIES	Ref	
		Note: Recommended replacement rotator uses spacer plate bolted on the top with 8 capscrews (Not shown - located at item 2). Actual production rotator does not use spacer plate.	Ref	
	0060034	600S (Actual Production)	Ref	G
	0060075	600S (Recommended Replacement)	Ref	B
	0060031	600SJ & 660SJ (Actual Production)	Ref	H
	See Note	600SJ & 660SJ (Recommended Replacement)	Ref	
		Note: For 600SJ & 660SJ, use recommended replacement rotator kit p/n 1001103095 (includes 0060074 actuator assembly, attaching pin & hardware).	Ref	
1	See Note	Housing/Ring Gear Assembly (Note: Not Available - Purchase Complete Rotator Assembly.)	1	
2		Shaft Weldment Options:	1	
	Use 7017177	0060034 & 0060031 Rotators (was p/n 7017117)		
	7017162	0060075 & 0060074 Rotators		
	See Note	Plate, Spacer (Not Shown) (0060075 & 0060074 Rotators Only) (Note: Not Available for Purchase.)	1	
3		Piston/Sleeve Options:	1	
	7017115	0060034 & 0060031 Rotators		
	7017163	0060075 & 0060074 Rotators		
4		Cap, End Options:	1	
	7017174	0060034 Rotators		
	Use 7017174	0060031 Rotators (was p/n 7017116)		
	7017164	0060075 & 0060074 Rotators		
5	See Note	Plug, Port (Note: Not Available - Purchase Locally.)	6	
6	Use 7017142	Plug	2	
7	7017102	Tie-Rod/Locknut Assy (Prior to SN 0300039950)	1	
	7017119	Bolt 1in-8NC x 11in (SN 0300039950 to SN 0300067538)	1	
8	3272605	Locknut 1in-8NC (SN 0300039950 to SN 0300067538)	AR	
9	See Note	Seal, Cap (Note: Use Item 100A or 100B)	1	
10	See Note	Ring, Back-up (Cap) (Note: Use Item 100A or 100B)	1	
11	See Note	Seal, Rod (Note: Use Item 100A or 100B)	1	
12	See Note	Seal, Piston (Note: Use Item 100A or 100B)	1	
13	See Note	Packing, Bearing (Note: Use Item 100A or 100B)	2	
14	See Note	Bearing, Cap (Note: Use Item 101A or 101B)	1	
15	See Note	Bearing, Shaft (Note: Use Item 101A or 101B)	1	
16	See Note	Thrustwasher (Note: Use Item 101A or 101B)	2	
17		Valve Assembly Options:	1	
	Use 7017183	0060034 & 0060031 Rotators (was p/n 7017101)		
	7017183	0060075 & 0060074 Rotators		

SECTION 3 BOOM

SECTION 3 BOOM

FIGURE 3-4. ROTATOR ASSEMBLIES (FRONT ENTRY PLATFORM) (CONTINUED)

FIG & ITEM #	PART NUMBER	DESCRIPTION	QTY.	REV.
17A		Cartridge, Valve Options:	2	
	7011331	Cartridge for Helac p/n 24736		
	7017193	Cartridge for Helac p/n 27600		
	2900770	Seal Kit - 7011331 Valve	2	
	See Note	Seal Kit - 7017193 Valve	2	
		(Note: Not Available for Purchase.)		
17B		Cartridge, Valve Options:	AR	
	7011332	Cartridge for Helac p/n 24736	2	
	See Note	Cartridge for Helac p/n 27600 (Not Shown - Located on Side of Valve Block)	1	
		(Note: Not Available for Purchase.)		
	7011346	Seal Kit - 7011332 Valve	2	
	See Note	Seal Kit - Valve Located on Side of Block	1	
		(Note: Not Available for Purchase.)		
18	Use 7017142	Setscrew/Pin	2	
19	See Note	Capscrew 1/4in-20NC (Grade 8)	3	
		(Note: Not Available for Purchase.)		
20	3790110	O-Ring (Located between Valve & Actuator Housing)	3	
21	70001697	Screw, Countersunk 1/4in-20NC x 3/8in Grade 8	4	
		KIT OPTIONS	Ref	
100		Seal Kit Options (Includes Items 9-13):	1	
100A	7017157	Seal Kit for 0060034 & 0060031 Rotators		
100B	7017158	Seal Kit for 0060075 & 0060074 Rotators		
101		Bearing Kit Options (Includes Items 14-16):	1	
101A	7017156	Bearing Kit for 0060034 & 0060031 Rotators (Actual Production)		
101B	7017159	Bearing Kit for 0060075 & 0060074 Rotators (Recommended Replacement)		
102	7017142	Hardware Kit (Includes Items 6, 18 & 21)	1	

SECTION 3 BOOM

SECTION 3 BOOM

FIGURE 3-4. ROTATOR ASSEMBLIES (FRONT ENTRY PLATFORM) (CONTINUED)

FIG & ITEM #	PART NUMBER	DESCRIPTION	QTY.	REV.

**S
E
C
T
I
O
N

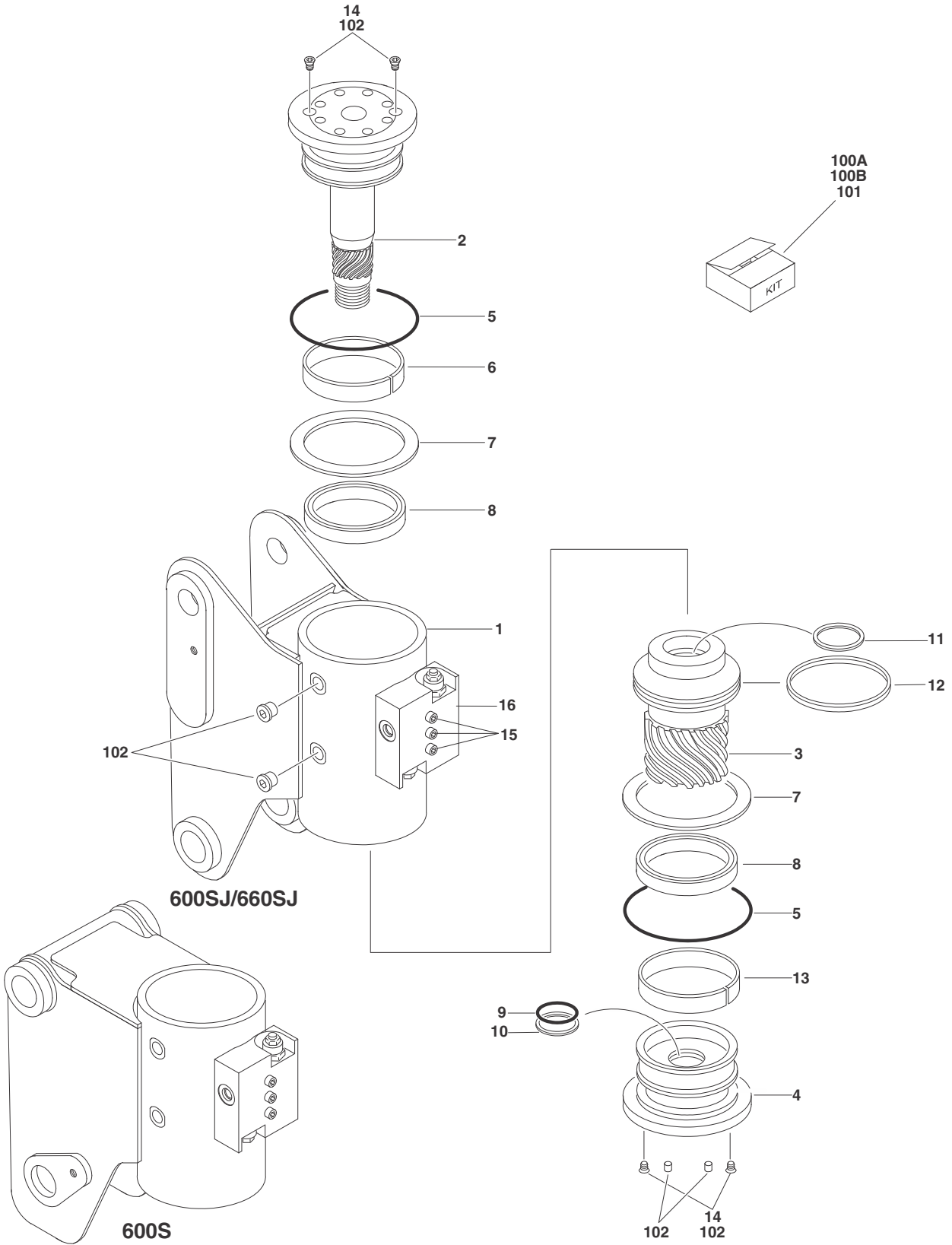
3

B
O
O
M**

SECTION 3 BOOM

FIGURE 3-5. ROTATOR ASSEMBLIES (SIDE ENTRY PLATFORM)

SECTION 3 BOOM



SECTION 3 BOOM

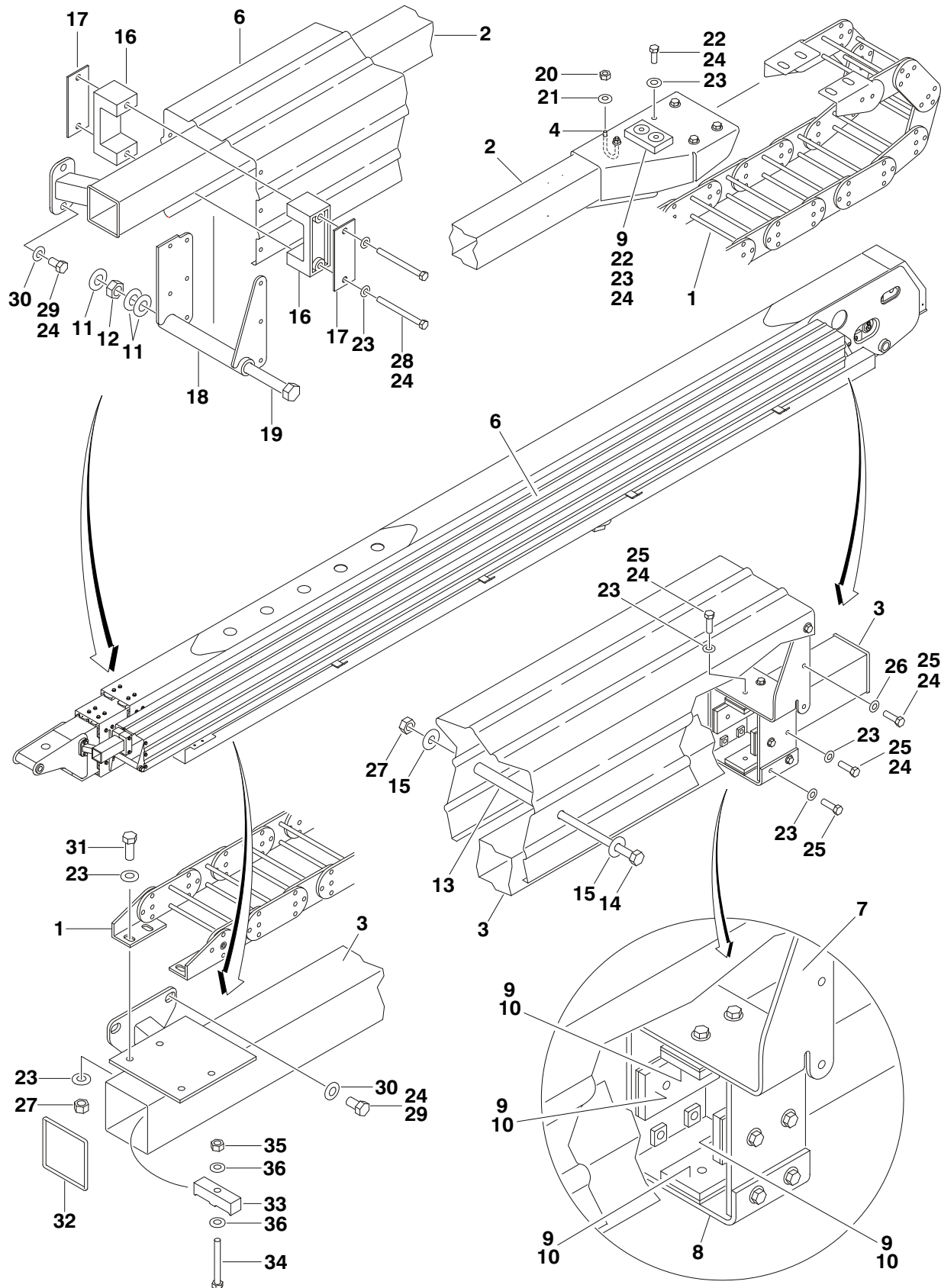
FIGURE 3-5. ROTATOR ASSEMBLIES (SIDE ENTRY PLATFORM)

FIG & ITEM #	PART NUMBER	DESCRIPTION	QTY.	REV.
		ROTATOR ASSEMBLIES	Ref	
	0060067	600S	Ref	A
	0060066	600SJ & 660SJ	Ref	A
1	See Note	Housing/Ring Gear Assembly (Note: Not Available - Purchase Complete Rotator Assembly.)	1	
2	7017162	Shaft Weldment	1	
	7017195	Bushing, Shaft	2	
3	7017163	Piston/Sleeve Assembly	1	
4	7017164	Cap, End	1	
5	See Note	O-Ring (Note: Use Item 100A or 100B)	2	
6	Use 7017159	Bearing, Shaft	1	
7	Use 7017159	Thrustwasher	2	
8	See Note	Packing, Bearing (Note: Use Item 100A or 100B)	2	
9	See Note	Seal, Cap (Note: Use Item 100A or 100B)	1	
10	See Note	Ring, Back-Up Cap (Note: Use Item 100A or 100B)	1	
11	See Note	Seal, Rod (Note: Use Item 100A or 100B)	1	
12	See Note	Seal, Piston (Note: Use Item 100A or 100B)	1	
13	Use 7017159	Bearing, Cap	1	
14	70001697	Screw, Countersunk 1/4in-20NC x 3/8in Grade 8	4	
15	See Note	Capscrew 1/4in-20NC (Grade 8) (Note: Not Available for Purchase.)	3	
16	7017183	Valve Assembly	1	
	7017193	Cartridge, Valve	2	
	See Note	Seal Kit - 7017193 Valve (Note: Not Available for Purchase.)	2	
	See Note	Cartridge, Valve (Not Shown - Located on Side of Block) (Note: Not Available for Purchase.)	1	
	See Note	Seal Kit - Valve Located on Side of Block (Note: Not Available for Purchase.)	1	
		KIT OPTIONS	Ref	
100		Seal Kit Options (Includes Items 5, 8 - 12):	1	
100A	7017158	Seal Kit - Standard		
100B	70000342	Seal Kit - Low Temperature		
101	7017159	Bearing Kit (Includes Items 6, 7 & 13)	1	
102	See Note	Hardware Kit (Includes Items 14, 2 Setscrews/Pins & 2 Plugs) (Note: Not Available - Purchase Individual Pieces.)	1	

SECTION 3 BOOM

SECTION 3 BOOM

FIGURE 3-6. POWER TRACK INSTALLATIONS - PLASTIC TRACK (PRIOR TO SN 0300060842)



SECTIONS 3 BOOM

SECTION 3 BOOM

FIGURE 3-6. POWER TRACK INSTALLATIONS - PLASTIC TRACK (PRIOR TO SN 0300060842)

FIG & ITEM #	PART NUMBER	DESCRIPTION	QTY.	REV.
		<p>Note: Before ordering parts, check machines built prior to SN 0300060842 for either plastic or steel power track. Machines may have a conversion kit installed which replaces plastic power tracks to steel power tracks.</p> <p>- If a machines has steel power tracks, refer to the next figure for replacement components.</p> <p>- To replace the plastic power track with a steel power track, use Conversion Kit p/n 2902114 for 600S & 660SJ or p/n 2902115 for 600SJ.</p>	Ref	
		POWER TRACK INSTALLATIONS	Ref	
	0255293	600S & 660SJ (Optional on 600S Only) (Prior to SN 0300060842)	Ref	5/B
	0255303	600SJ (Prior to SN 0300060842)	Ref	4/B
1		Carrier Options:	1	
	1180340	600S & 660SJ		
	7019300	Link	83	
	7019301	Bracket, End	1	
	7019303	Separator	1	
	1180341	600SJ		
	7019300	Link	83	
	7019302	Bracket, End	1	
	7019303	Separator	1	
2		Tube, Push Options:	1	
	4844968	600S & 660SJ		
	4844989	600SJ		
3		Rail Options:	1	
	4844963	600S & 660SJ		
	4844990	600SJ		
4	0630458	U-Bolt	1	
5	Not Used			
6		Cover Options:	1	
	1670749	600S & 660SJ		
	1670750	600SJ		
7	4844966	Block, Slide	1	
8	3538749	Plate	1	
9	3340763	Pad, Wear	5	
10	4070904	Shim	6	
11	4712600	Flatwasher 1in Thin	3	
12	3312602	Nut, Jam 1in-8NC	1	
13	3841264	Rod	AR	
14	0641676	Bolt 3/8in-16NC x 9-1/2in	AR	
15	4740076	Washer, Fender	AR	
16	3340764	Pad, Wear	2	
17	3538758	Plate	2	
18	4844967	Support	1	
19	0630493	Bolt 1in-8NC x 12in	1	
20	3311405	Locknut 1/4in-20NC	2	

SECTION 3 BOOM

SECTION 3 BOOM

**FIGURE 3-6. POWER TRACK INSTALLATIONS - PLASTIC TRACK (PRIOR TO SN 0300060842)
(CONTINUED)**

FIG & ITEM #	PART NUMBER	DESCRIPTION	QTY.	REV.
21	4711400	Flatwasher 1/4in Thin	2	
22	0641605	Bolt 3/8in-16NC x 5/8in	6	
23	4711600	Flatwasher 3/8in Thin	22	
24	0100011	Compound, Locking	AR	
25	0641606	Bolt 3/8in-16NC x 3/4in	16	
26	4751600	Flatwasher 3/8in Regular	12	
27	3311605	Locknut 3/8in-16NC	AR	
28	0641644	Bolt 3/8in-16NC x 5-1/2in	2	
29	0641807	Bolt 1/2in-13NC x 7/8in	8	
30	4711800	Flatwasher 1/2in Thin	8	
31	0641608	Bolt 3/8in-16NC x 1in	4	
32	4060804	Shield, Trim	4ft/1.2m	
33	1320247	Clamp, Nylon (SN 0300037438 to SN 0300060842)	1	
34	0641522	Bolt 5/16in-18NC x 2-3/4in (SN 0300037438 to SN 0300060842)	1	
35	3311505	Locknut 5/16in-18NC (SN 0300037438 to SN 0300060842)	1	
36	4711500	Flatwasher 5/16in Thin (SN 0300037438 to SN 0300060842)	2	

SECTION 3 BOOM

SECTION 3 BOOM

FIGURE 3-6. POWER TRACK INSTALLATIONS - PLASTIC TRACK (PRIOR TO SN 0300060842)
(CONTINUED)

FIG & ITEM #	PART NUMBER	DESCRIPTION	QTY.	REV.

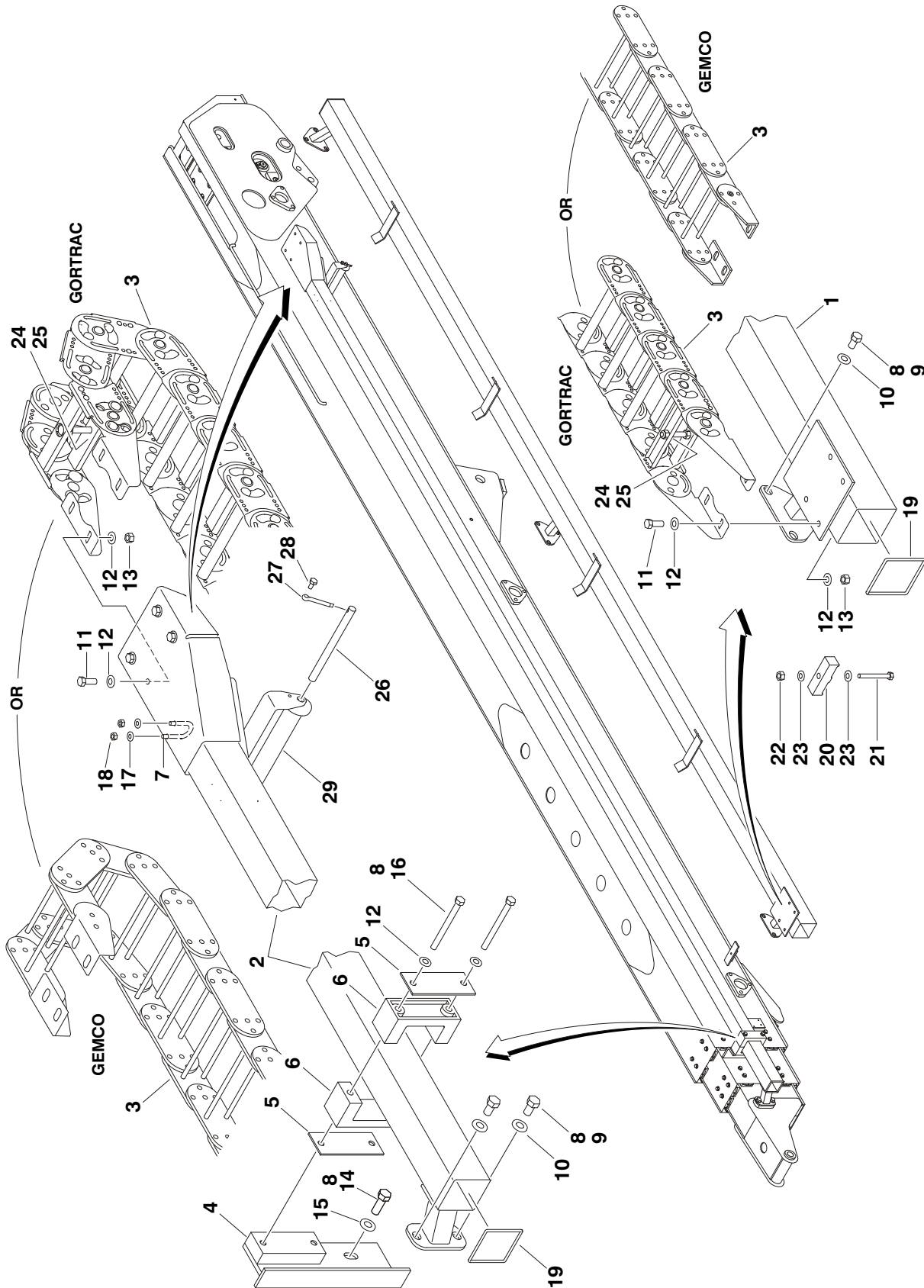
**S
E
C
T
I
O
N

3

B
O
O
M**

SECTION 3 BOOM

FIGURE 3-7. POWER TRACK INSTALLATIONS - STEEL TRACK (SN 0300060842 TO SN 0300068000)



SECTION 3 BOOM

FIGURE 3-7. POWER TRACK INSTALLATIONS - STEEL TRACK (SN 0300060842 TO SN 0300068000)

FIG & ITEM #	PART NUMBER	DESCRIPTION	QTY.	REV.
		POWER TRACK INSTALLATIONS	Ref	
	0257988	600S (Prior to SN 0300061927)	Ref	5/E
	0271243	600SJ (Prior to SN 0300061927)	Ref	1/E
	0271242	660SJ (Prior to SN 0300061927)	Ref	1/E
	0271372	600SJ (ADE System) (SN 0300061927 to SN 0300068000)	Ref	2
	0270804	600S/660SJ (ADE System) (SN 0300061927 to SN 0300068000)	Ref	3
1		Rail Options:	1	
	4845819	600S/660SJ		
	4846392	600SJ		
2		Tube Options:	1	
	4845671	600S/660SJ		
	4846391	600SJ		
3		Power Track Assembly Options:	1	
		Note: Various Power Tracks use on this model. Identify brand before ordering parts.	Ref	
		600S/660SJ Power Track Assembly		
	Use 1001099832	Gemco Brand Power Track (was p/n 1180345)		
	7016530	Power Track - 8in Section (Includes 18 Link Pin, 4 Radius Links, 2 Carrier Links, 1 Rod Carrier, 1 Spring Loaded Rod, 1 Carrier Weldment & 12 Bearing Plates)	AR	
	7006138	Power Track - Pin Kit (Includes 1 pin, 1 Retaining Ring & 4 Washers)	1	
	1001099832	Gortrac Brand Power Track		
	70002005	Power Track - 1 Section Repair Kit	AR	
	70002006	Power Track - Bracket Kit	1	
		600SJ Power Track Assembly		
	Use 1001099839	Gemco Brand Power Track (was p/n 1180359)		
	7016530	Power Track - 8in Section (Includes 18 Link Pin, 4 Radius Links, 2 Carrier Links, 1 Rod Carrier, 1 Spring Loaded Rod, 1 Carrier Weldment & 12 Bearing Plates)	AR	
	7006138	Power Track - Pin Kit (Includes 1 pin, 1 Retaining Ring & 4 Washers)	1	
	1001099839	Gortrac Brand Power Track		
	70002007	Power Track - 1 Section Repair Kit	AR	
	70002006	Power Track - Bracket Kit	1	
4	4845677	Bracket	1	
5	3538758	Plate	AR	
6	3340764	Pad, Wear	2	
7	0630458	U-Bolt	1	
8	0100011	Compound, Locking	AR	
9	0641807	Bolt 1/2in-13NC x 7/8in	11	
10	4711800	Flatwasher 1/2in Thin	11	
11	0641608	Bolt 3/8in-16NC x 1in	8	
12	4711600	Flatwasher 3/8in Thin	18	
13	3311605	Locknut 3/8in-16NC	8	
14	0642612	Bolt 1in-8NC x 1-1/2in	1	

SECTION 3 BOOM

SECTION 3 BOOM

FIGURE 3-7. POWER TRACK INSTALLATIONS - STEEL TRACK (SN 0300060842 TO SN 0300068000) (CONTINUED)

FIG & ITEM #	PART NUMBER	DESCRIPTION	QTY.	REV.
15	4712600	Flatwasher 1in Thin	1	
16	0641648	Bolt 3/8in-16NC x 6in	2	
17	4711400	Flatwasher 1/4in Thin	2	
18	3311405	Locknut 1/4-20NC	2	
19	4060803	Shield, Trim	3ft/0.9m	
20	1320247	Clamp, Nylon (SN 0300041861 to SN 0300068000)	1	
21	0641522	Bolt 5/16in-18NC x 2-3/4in (SN 0300041861 to SN 0300068000)	1	
22	3311505	Locknut 5/16in-18NC (SN 0300041861 to SN 0300068000)	1	
23	4711500	Flatwasher 5/16in Thin (SN 0300041861 to SN 0300068000)	2	
24	4070994	Shim (SN 0300047101 to SN 0300068000)	2	
25	4070995	Shim (SN 0300047101 to SN 0300068000)	2	
26	3841013	Roller, Rod (SN 0300060842 to SN 0300068000)	1	
27	3450806	Pin, Cotter (SN 0300060842 to SN 0300068000)	1	
28	0641404	Bolt 1/4in-20NC x 1/2in (SN 0300060842 to SN 0300068000)	1	
29	3860050	Roller (SN 0300060842 to SN 0300068000)	1	

SECTION 3 BOOM

SECTION 4 PLATFORM

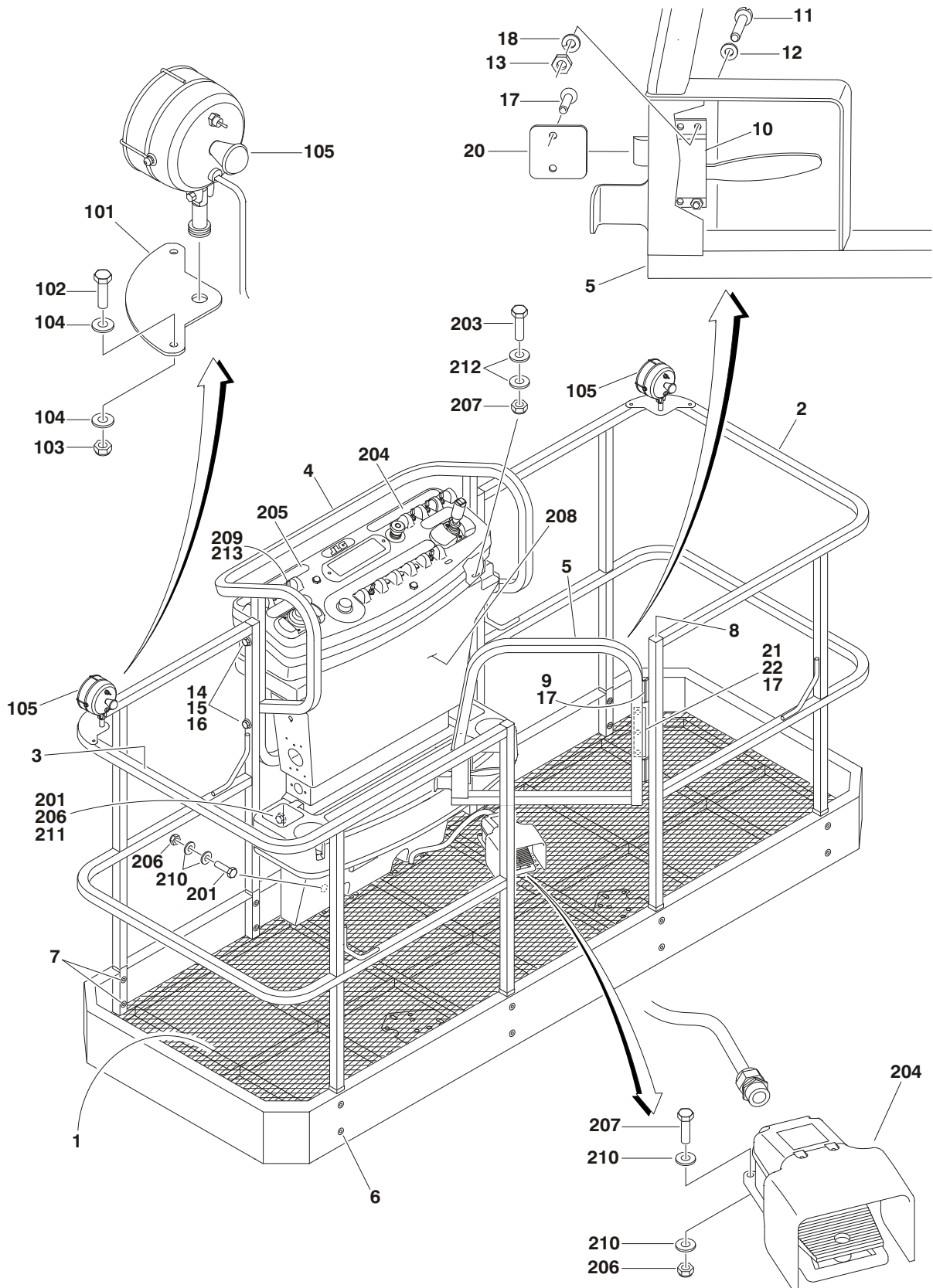
TABLE OF CONTENTS

FIGURE	DESCRIPTION	PAGE
4-1	PLATFORM COMPONENTS INSTALLATION (FRONT ENTRY)	4-2
4-2	PLATFORM COMPONENTS INSTALLATION (SIDE ENTRY)	4-6
4-3	PLATFORM CONSOLE ASSEMBLY (PRIOR TO SN 0300061927)	4-10
4-4	PLATFORM CONSOLE ASSEMBLIES (ADE SYSTEM) (SN 0300061927 TO SN 0300068000)	4-16
4-5	CONTROLLER ASSEMBLY (SWING AND LIFT) (PRIOR TO SN 0300039654) (ORIGINAL EQUIPMENT)	4-22
4-6	CONTROLLER ASSEMBLY (SWING AND LIFT) (SN 0300039654 TO SN 0300061927) (SERVICE REPLACEMENT)	4-26
4-7	CONTROLLER ASSEMBLY (SWING AND LIFT) (ADE SYSTEM) (SN 0300061927 TO SN 0300068000)	4-28
4-8	CONTROLLER ASSEMBLY (DRIVE AND STEER) (PRIOR TO SN 0300039654) (ORIGINAL EQUIPMENT)	4-32
4-9	CONTROLLER ASSEMBLY (DRIVE AND STEER) (SN 0300039654 TO SN 0300061927) (SERVICE REPLACEMENT)	4-36
4-10	CONTROLLER ASSEMBLY (DRIVE AND STEER) (ADE SYSTEM) (SN 0300061927 TO SN 0300068000)	4-38
4-11	SOFT TOUCH SYSTEM INSTALLATION (OPTIONAL)	4-42

SECTION 4 PLATFORM

SECTION 4 PLATFORM

FIGURE 4-1.PLATFORM COMPONENTS INSTALLATION (FRONT ENTRY)



SECTION 4 PLATFORM

SECTION 4 PLATFORM

FIGURE 4-1. PLATFORM COMPONENTS INSTALLATION (FRONT ENTRY)

FIG & ITEM #	PART NUMBER	DESCRIPTION	QTY.	REV.
		PLATFORM ASSEMBLIES:	Ref	
	3510760	4ft (1.2m) With Self-Closing Gate	Ref	3
	3510728	5ft (1.52m) With Self-Closing Gate	Ref	3
	3510497	6ft (1.83m) Standard	Ref	7
	3510542	6ft (1.83m) With Self-Closing Gate	Ref	3
	3510545	6ft (1.83m) With Mesh to Top Rail & Standard Gate	Ref	—
	3510565	6ft (1.83m) With Mesh to Top Rail & Self-Closing Gate	Ref	3
	3510488	8ft (2.44m) Standard	Ref	7
	3510543	8ft (2.44m) With Self-Closing Gate	Ref	3
	3510546	8ft (2.44m) With Mesh to Top Rail & Standard Gate	Ref	—
	3510566	8ft (2.44m) With Mesh to Top Rail & Self-Closing Gate	Ref	4
1		Floor 2 Options:	1	
	4846253	4ft Platform		
	4846101	5ft Platform		
	4844954	6ft Platform		
	4844928	8ft Platform		
2		Rail Weldment - Right Side Options:	1	
	4846254	4ft Platform Standard		
	4846102	5ft Platform Standard		
	4844955	6ft Platform Standard		
	4845408	6ft Platform with Mesh Top Rail		
	4844924	8ft Platform Standard		
	4845412	8ft Platform with Mesh Top Rail		
3		Rail Weldment - Left Side Options:	1	
	4846255	4ft Platform Standard		
	4846103	5ft Platform Standard		
	4844956	6ft Platform Standard		
	4845409	6ft Platform with Mesh Top Rail		
	4844925	8ft Platform Standard		
	4845413	8ft Platform with Mesh Top Rail		
4		Rail Weldment - Back Options:	1	
	4844927	Prior to SN 0300026233		
	4845328	SN 0300026233 to SN 0300067889		
5		Gate Weldment Options:	1	
	4844926	Standard Gate (Prior to SN 0300026233)		
	4845327	Standard Gate (SN 0300026233 to SN 0300068000)		
	4845410	Standard Gate with Mesh Top Rail		
	4845327	Self-Closing Gate (Prior to SN 0300027649)		
	4845426	Self-Closing Gate (SN 0300027649 to SN 0300068000)		
	4845469	Self-Closing Gate with Mesh Top Rail		
6	3900207	Fastener	AR	

SECTION 4 PLATFORM

SECTION 4 PLATFORM

FIGURE 4-1. PLATFORM COMPONENTS INSTALLATION (FRONT ENTRY) (CONTINUED)

FIG & ITEM #	PART NUMBER	DESCRIPTION	QTY.	REV.
		(Note: P/N 3900207 Fastener may be replaced with P/N 0641416 Bolt, P/N 4751400 Flatwasher, P/N 3311405 Locknut and P/N 3300151 Acorn Type Nut. Acorn type nut is required to meet industry safety requirements.)	Ref	
7	3300393	Collar	AR	
8	3520072	Plug, Cap	AR	
9		Hinge Options:	2	
	2600216	Standard Gate		
	2600219	Self-Closing Gate (Prior to SN 0300027649)		
	2600287	Self-Closing Gate (SN 0300027649 to SN 0300068000)		
10	2940074	Latch	1	
11	3911008	Screw #10-24NC x 1/2in	4	
12	4751000	Flatwasher #10 Regular	4	
13	3311005	Locknut #10-24NC	4	
14	0641524	Bolt 5/16in-18NC x 3in	4	
15	3311505	Locknut 5/16in-18NC	4	
16	4751500	Flatwasher 5/16in Regular	4	
17	2080040	Fastener	13	
18	4761000	Lockwasher #10	4	
19	Not Used			
20	3539685	Plate, Latch	1	
21		Stop, Gate Options:	1	
	4220164	Standard Gate (Prior to SN 0300026233)		
	4220165	Standard Gate (SN 0300026233 to SN 0300067889)		
	4220168	Self-Closing Gate (SN 0300027649 to SN 0300030834)		
	4220165	Self-Closing Gate (SN 0300027649 & SN 0300030834 to SN 0300068000)		
22	4060803	Trim	6ft/1.8m	
		WORKLIGHTS INSTALLATIONS (OPTIONAL)	Ref	
	0255392	Prior to SN 0300035129 (Colored Wiring)	Ref	2/B
	0258048	SN 0300035129 to SN 0300061927 (Numbered Colored Wiring)	Ref	2/F
	0270814	SN 0300061927 to SN 0300068000 (ADE System)	Ref	3/D
101	3536089	Plate, Mounting	2	
102	0641414	Bolt 1/4in-20NC x 1-3/4in	4	
103	3311405	Locknut 1/4in-20NC	4	
104	4711400	Flatwasher 1/4in Thin	8	
105	2920140	Worklight	2	
	7016399	Bulb, Replacement (1 Per Worklight)	2	
106	4240099	Tie-Strap (Not Shown)	10	
107	2820035	Loom, Vinyl (Not Shown)	9	
108	Not Used			

SECTION 4 PLATFORM

SECTION 4 PLATFORM

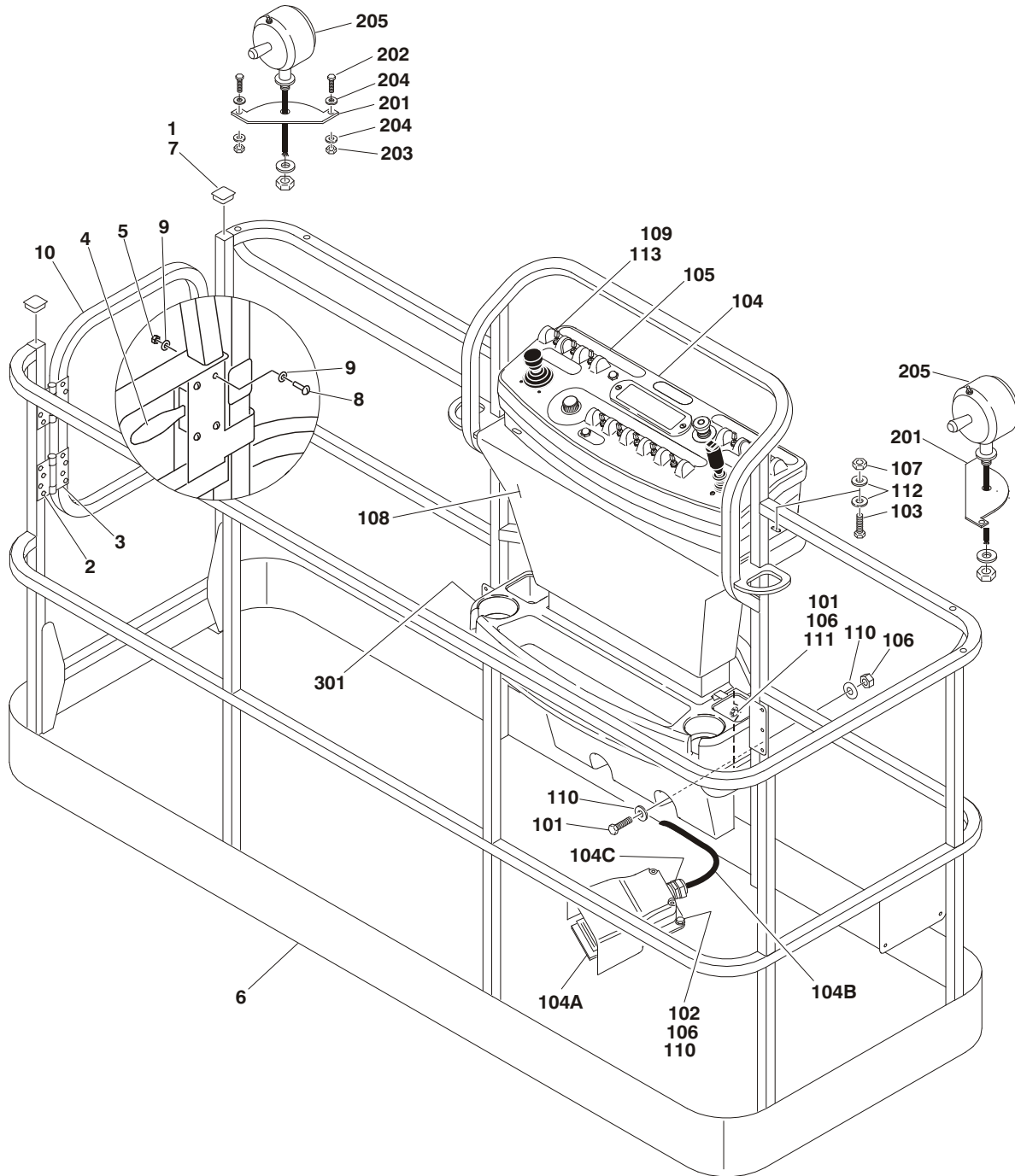
FIGURE 4-1. PLATFORM COMPONENTS INSTALLATION (FRONT ENTRY) (CONTINUED)

FIG & ITEM #	PART NUMBER	DESCRIPTION	QTY.	REV.
109	4460598	Connector, Strain Relief (Not Shown - Located at Console Box)	1	
110		Wire Options: (Not Shown)	AR	
	4921028	Wire, White/Brown 16 Ga (Prior to SN 0300035129)		
	4920018	Wire, Black 16 Ga (SN 0300035129 to SN 0300061927)		
		CONSOLE BOX INSTALLATIONS		
	0272298	2WD	Ref	
	0271940	4WD	Ref	A
			Ref	A
201	0641406	Bolt 1/4in-20NC x 3/4in	4	
202	0641408	Bolt 1/4in-20NC x 1in	3	
203	0641610	Bolt 3/8in-16NC x 1-1/4in	4	
204		Console Box & Footswitch Assembly (See PLATFORM CONSOLE ASSEMBLY & PLATFORM CONSOLE ASSEMBLY (ADE SYSTEM) for Breakdown)	1	
205	1702676	Decal - Horn	1	
206	3311405	Locknut 1/4in-20NC	7	
207	3311605	Locknut 3/8in-16NC	4	
208	3380434	Panel, Decal Mount	1	
209		Switch Options:	1	
	4360336	Switch (2WD)		
	4360331	Switch (4WD)		
210	4740362	Flatwasher 1/4in Fender	7	
211	4751400	Flatwasher 1/4in Regular	4	
212	4751600	Flatwasher 3/8in Regular	8	
213	3790012	O-Ring	1	

SECTION 4 PLATFORM

SECTION 4 PLATFORM

FIGURE 4-2. PLATFORM COMPONENTS INSTALLATION (SIDE ENTRY)



SECTION 4 PLATFORM

SECTION 4 PLATFORM

FIGURE 4-2. PLATFORM COMPONENTS INSTALLATION (SIDE ENTRY)

FIG & ITEM #	PART NUMBER	DESCRIPTION	QTY.	REV.
		PLATFORM ASSEMBLIES:	Ref	
	Use 1001144023	8ft (2.44m) with No Mesh (was p/n 3510822)	Ref	B/A
	Use 1001144024	6ft (1.83m) with No Mesh (was p/n 3510833)	Ref	B/A
		Note: Original Equipment platform may have been replaced with Service Replacement platform. Identify platform before ordering parts.	Ref	
1	0100040	Sealant, Adhesive	AR	
2	2080040	Fastener, Huck	16	
3	2600281	Hinge, Self-Closing	2	
4	2940074	Latch	1	
5	3311001	Nut #10-24NC	4	
6	See Note	Platform Weldment (Note: Purchase Complete Platform Assembly.)	1	
7	3520072	Cap-Plug	2	
8	3911008	Screw #10-24NC x 1in	4	
9	4751000	Flatwasher #10 Regular	8	
10	4846452	Gate Weldment	1	
		Gate for Original Equipment Platform p/n 3510822 & 3510833		
		Gate for Service Replacement Platform p/ns 1001144023 & 1001144024		
		CONSOLE BOX INSTALLATIONS	Ref	
	0272298	2WD	Ref	A
	0271940	4WD	Ref	A
101	0641406	Bolt 1/4in-20NC x 3/4in	4	
102	0641408	Bolt 1/4in-20NC x 1in	3	
103	0641610	Bolt 3/8in-16NC x 1-1/4in	4	
104		Platform Console Box Assembly (See PLATFORM CONSOLE ASSEMBLY & PLATFORM CONSOLE ASSEMBLY (ADE SYSTEM) for Breakdown)	1	
104A	Use 0272970	Footswitch Assembly (Includes Footswitch & Items 104B & 104C)	1	
		Note: Assembly p/n 0272970 may use either p/n 4360031 or p/n 100117320. If Original Equipment was replaced as an "assembly," p/n 100117320 may have been used as part of the Service Replacement. Identify component before ordering parts.	Ref	
		Footswitch Less Cable Options:	1	
	4360031	Original Equipment		
	100117320	Service Replacement		
		Block, Contact Options (see Note Above):	AR	
	7000625	Contact Block for 4360031 Footswitch	2	
	70003483	Contact Block for 100117320 Footswitch	1	
104B	1060918	Cable, Electrical - 18/3	7ft/2.14m	

SECTION 4 PLATFORM

SECTION 4 PLATFORM

FIGURE 4-2. PLATFORM COMPONENTS INSTALLATION (SIDE ENTRY) (CONTINUED)

FIG & ITEM #	PART NUMBER	DESCRIPTION	QTY.	REV.
104C	4460071	Connector, Strain Relief	1	
105	1702676	Decal - Horn	1	
106	3311405	Locknut 1/4in-20NC	7	
107	3311605	Locknut 3/8in-16NC	4	
108	3380434	Panel, Decal Mount	1	
109		Switch Options:	1	
	4360336	Switch (2WD)		
	4360331	Switch (4WD)		
110	4740362	Flatwasher 1/4in Fender	7	
111	4751400	Flatwasher 1/4in Regular	4	
112	4751600	Flatwasher 3/8in Regular	8	
113	3790012	O-Ring	1	
	0270814	WORKLIGHTS INSTALLATIONS (OPTIONAL)	Ref	3/D
201	3536089	Plate, Mounting	2	
202	0641414	Bolt 1/4in-20NC x 1-3/4in	4	
203	3311405	Locknut 1/4in-20NC	4	
204	4711400	Flatwasher 1/4in Thin	8	
205	2920140	Worklight	2	
	7016399	Bulb, Replacement (1 Per Worklight)	2	
206	4240099	Tie-Strap (Not Shown)	10	
207	2820035	Loom, Vinyl (Not Shown)	9	
208	Not Used			
209	4460598	Connector, Strain Relief (Not Shown - Located at Console Box)	1	
		TRAY INSTALLATIONS (OPTIONAL)	Ref	
301	1580012	Tray, Storage (Center)	1	
302	1580013	Tray, Storage (Rail Mounted - Not Shown)	1	

SECTION 4 PLATFORM

SECTION 4 PLATFORM

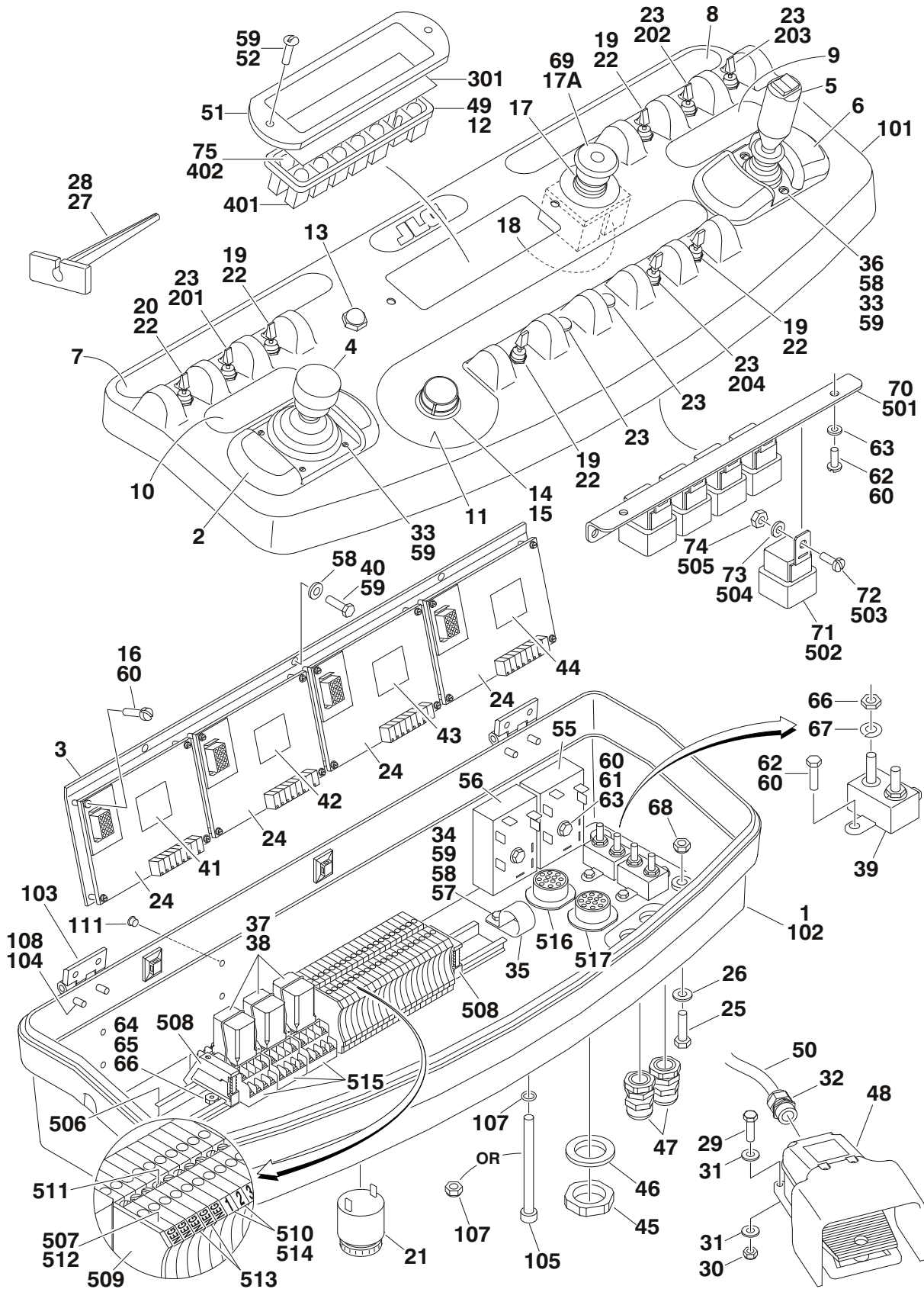
FIGURE 4-2. PLATFORM COMPONENTS INSTALLATION (SIDE ENTRY) (CONTINUED)

FIG & ITEM #	PART NUMBER	DESCRIPTION	QTY.	REV.

**S
E
C
T
I
O
N
4
P
L
A
T
F
O
R
M**

SECTION 4 PLATFORM

FIGURE 4-3.PLATFORM CONSOLE ASSEMBLY (PRIOR TO SN 0300061927)



SECTION 4 PLATFORM

SECTION 4 PLATFORM

FIGURE 4-3. PLATFORM CONSOLE ASSEMBLY (PRIOR TO SN 0300061927)

FIG & ITEM #	PART NUMBER	DESCRIPTION	QTY.	REV.
		CONSOLE BOX ASSEMBLIES	Ref	
	0861041	Prior to SN 0300029430 (Colored Wiring)	Ref	5/D
	0861082	SN 0300029430 to SN 0300035129 (Colored Wiring)	Ref	1/A
	0861133	SN 0300035129 to SN 0300061927 (Numbered Colored Wiring)	Ref	7/D
1	0860984	Box, Console Assembly (See Items 101-108 for Breakdown)	1	
2	4340678	Support, Hand	1	
3	3538819	Plate, Mounting	1	
4		Controller Assembly (Swing & Lift) Options:	1	
	1600242	Prior to SN 0300039654 (See CONTROLLER ASSEMBLY (SWING & LIFT) for Breakdown)		
	1600284	SN 0300039654 to SN 0300061927 (See CONTROLLER ASSEMBLY (SWING & LIFT) for Breakdown)		
5		Controller Assembly (Drive & Steer) Options:	1	
	1600239	Prior to SN 0300039654 (See CONTROLLER ASSEMBLY (DRIVE & STEER) for Breakdown)		
	1600283	SN 0300039654 to SN 0300061927 (See Controller Assembly (Drive & Steer) for Breakdown)		
6	4340684	Support, Hand	1	
7	1702676	Decal (Horn/Drive Speed/Level)	1	
8	1702564	Decal (Stop)	1	
9	1702565	Decal (Drive and Steer)	1	
10	1702566	Decal (Lift and Swing)	1	
11	1702567	Decal (Speed/Lower Lift/Tele/Rotate/Jib)	1	
12	2760105	Housing, Display Light	1	
13	4360387	Switch, Pushbutton	1	
14	2560136	Knob, Speed Control	1	
15	4360407	Controller, Speed	1	
	See Note	Gasket "Top Hat" (Included with Switch) (Note: Not Available - Purchase Complete Controller.)	1	
	70003784	Seal	1	
16	3910610	Screw #6-32NC x 5/8in	16	
17		Switch, Emergency Stop Options:	1	
	4360395	Prior to SN 0300036019		
	4360289	SN 0300035129 to SN 0300044645		
	4360475	SN 0300044645 to SN 0300061927		
17A		Cap Options:	1	
	7016315	Cap, Red (Used on Switch p/n 4360395)		
	7012611	Cap, Mushroom Head (Used on Switch p/n 4360289)		
	7012612	Boot (Used on Switch p/n 4360289)	1	
	7020175	Cap, Red (Used on Switch p/n 4360475)		
	7020176	Contact Block (Used on Switch p/n 4360475)		

SECTION 4 PLATFORM

SECTION 4 PLATFORM

FIGURE 4-3. PLATFORM CONSOLE ASSEMBLY (PRIOR TO SN 0300061927) (CONTINUED)

FIG & ITEM #	PART NUMBER	DESCRIPTION	QTY.	REV.
18		Block, Contact Options:	1	
	4360282	Prior to SN 0300044645		
	4360476	SN 0300044645 to SN 0300061927		
19	4360314	Switch, Toggle	6	
20	4360331	Switch, Toggle	1	
21	0140026	Alarm	1	
22	3790012	O-Ring	7	
23	3520028	Plug, Hole (For switch call-outs at these locations, refer to options installation below)	4	
24	1600218	Card, Control	4	
	7016346	Fuse - 5 Amp (1Per Card)	4	
25		Bolt Options:	4	
	0641606	Bolt 3/8in-16NC x 3/4in (Prior to SN 0300039778)		
	0641610	Bolt 3/8in-16NC x 1-1/4in (SN 0300039778 to SN 0300061927)		
26	4751600	Flatwasher 3/8in Regular	4	
27	4460467	Tool, Pin Extraction (Blue 16-18 Gauge) (Not Shown)	1	
28	4460510	Tool, Pin Extraction (Yellow 12-14 Gauge) (Not Shown)	1	
29	0641408	Bolt 1/4in-20NC x 1in	3	
30	3311405	Locknut 1/4in-20NC	3	
31	4740362	Flatwasher 1/4in Fender	3	
32	4460071	Connector, Strain Relief	1	
33	0641404	Bolt 1/4in-20NC x 1/2in	8	
34	3311401	Nut 1/4in-20NC	1	
35	1320060	Clamp	1	
36	1320095	Clamp	1	
37	3740058	Relay - 4PDT	3	
38	3740063	Spring, Relay	3	
39	4360232	Breaker, Circuit - 15 Amp	2	
40	0641406	Bolt 1/4in-20NC x 3/4in	3	
41	1703090	Decal - Control Card (Lift)	1	
42	1703091	Decal - Control Card (Swing)	1	
43	1703092	Decal - Control Card (Flow Control)	1	
44	1703093	Decal - Control Card (Drive)	1	
45	4460470	Nut, Conduit	2	
46	4460471	Washer	2	
47	4460428	Connector, Strain Relief	2	
48	See Note	Footswitch	1	
		(Note: See PLATFORM COMPONENTS INSTALLATION (SIDE ENTRY) for Service Parts)		
49	3700010	Deflector (Prior to SN 0300027331)	14	
50	Not Used			
51	1670829	Bezel	1	
52	0630464	Screw, Button Head #10-24NC x 1/2in	2	
53	Not Used			
54	Not Used			
55	3740113	Relay, Time Delay	1	
56	3740115	Relay, Time Delay	1	

SECTION 4 PLATFORM

SECTION 4 PLATFORM

FIGURE 4-3. PLATFORM CONSOLE ASSEMBLY (PRIOR TO SN 0300061927) (CONTINUED)

FIG & ITEM #	PART NUMBER	DESCRIPTION	QTY.	REV.
57	0641406	Bolt 1/4in-20NC x 3/4in	1	
58	4751400	Flatwasher 1/4in Regular	5	
59	0100011	Compound, Locking	AR	
60	0100035	Compound, Locking	AR	
61	0721010	Screw, Machine #10-24NC x 1-1/4in	2	
62	0721003	Screw, Machine #10-24NC x 3/8in	4	
63	4751000	Flatwasher #10 Regular	2	
64	0721004	Bolt #10-32NF x 1/2in	2	
65	4711000	Flatwasher #10 Thin	2	
66	4761000	Lockwasher #10	6	
67	3311001	Nut #10-24NC	4	
68	3311605	Locknut 3/8in-16NC	4	
69	1704260	Decal - EMS (SN 0300044645 to SN 0300061927)	1	
70	3539275	Plate, Relay Mounting (SN 0300049954 to SN 0300061927)	1	
71	3740049	Relay, Bosch (SN 0300049954 to SN 0300061927)	5	
72	0721003	Screw #10-24NC x 3/8in (SN 0300049954 to SN 0300061927)	5	
73	4751000	Flatwasher #10 Regular (SN 0300049954 to SN 0300061927)	5	
74	3311005	Locknut #10-24NC (SN 0300049954 to SN 0300061927)	5	
75	2920129	Bulb, Light (SN 0300049954 to SN 0300061927)	12	
	Use 1001119562	----- Decal Kit - Console Box (Includes Items 7-11) (was p/n 2910869)	1	
	0860984	CONSOLE BOX ASSEMBLY	Ref	6/E
101	See Note	Lid, Cast (Note: Not Available - Purchase Complete Console Box Assembly.)	1	
102	See Note	Bottom, Box (Note: Not Available - Purchase Complete Console Box Assembly.)	1	
103	2600211	Hinge	2	
104	3900224	Capscrew, Socket Head Countersunk 6mmx 16mm	8	
105	3931672	Capscrew, Socket Head 3/8in-16NC x 4-1/2in	1	
106	Not Used			
107	See Note	Fastener Options: O-Ring (Prior to May 1996) (Note: Recommend using 3311601 Nut in place of original 3790109 O-Ring)	1	
	3311601	Nut 3/8in-16NC		
108	0100011	Compound, Locking	AR	
109 to 110	Not Used			
111	3520173	Plug (SN 0300038808 to SN 0300061927)	4	

SECTION 4 PLATFORM

SECTION 4 PLATFORM

FIGURE 4-3. PLATFORM CONSOLE ASSEMBLY (PRIOR TO SN 0300061927) (CONTINUED)

FIG & ITEM #	PART NUMBER	DESCRIPTION	QTY.	REV.
		CONSOLE BOX OPTIONS	Ref	
201		4WS Switch Option Components	AR	
	4360331	Switch, Toggle	1	
	3790012	O-Ring	1	
202		Dual Switch Option Components	AR	
	4360336	Switch, Toggle	1	
	3790012	O-Ring	1	
203		Lights Switch Option Components	AR	
	4360336	Switch, Toggle	1	
	3790012	O-Ring	1	
204		Articulating Jib Switch Option Components	AR	
	4360314	Switch, Toggle	1	
	3790012	O-Ring	1	
	0236631	LIGHT PANEL DECAL INSTALLATION	Ref	—
301	1702387	Decal - Light Panel Display	1	
		HARNESS COMPONENTS	Ref	
401	4120035	Base, Light	7	
402	2920129	Bulb, Light	7	
		ELECTRICAL COMPONENTS INSTALLATIONS:	Ref	
	0861041	Prior to SN 0300029430 (Colored Wiring)	Ref	5/D
	0861082	SN 0300029430 to SN 0300035129 (Colored Wiring)	Ref	1/A
	4921991	SN 0300035129 to SN 0300061927 (Numbered Colored Wiring)	Ref	2/E
501	3539275	Plate, Relay Mounting (Prior to SN 0300049954)	1	
502	3740049	Relay, Bosch (Prior to SN 0300049954)	8	
503	0721003	Screw #10-24NC x 3/8in (Prior to SN 0300049954)	8	
504	4751000	Flatwasher #10 Regular (Prior to SN 0300049954)	8	
505	3311005	Locknut #10-24NC (Prior to SN 0300049954)	8	
506		Track Options:	1	
	3640970	Prior to SN 0300035129		
	3641182	SN 0300035129 to SN 0300061927		
507		Block, Terminal Options:	10	
	4460600	Prior to SN 0300035129		
	4460601	SN 0300035129 to SN 0300061927		
508	4460607	Stop, End	2	
509	4460602	Barrier, Terminal	1	
510	4460629	Marker, Terminal (6-15)	2	
511	4460603	Bar, Buss - 10 Position (Cut into [2] 5 Position Bars)	1	
512		Block, Terminal Options:	10	
	4460600	Prior to SN 0300035129		
	4460601	SN 0300035129 to SN 0300061927		

SECTION 4 PLATFORM

SECTION 4 PLATFORM

FIGURE 4-3. PLATFORM CONSOLE ASSEMBLY (PRIOR TO SN 0300061927) (CONTINUED)

FIG & ITEM #	PART NUMBER	DESCRIPTION	QTY.	REV.
513	4460631	Marker, Terminal (Negative)	1	
514	4460632	Marker, Terminal (1-5)	1	
515	4120013	Socket, Relay	3	
516	4460613	Connector - 21 Position	1	
517	4460503	Connector - 31 Position	1	
518	Not Used			
519	4240032	Tie-Strap (Not Shown)	20	
520	4240018	Tie-Strap (Not Shown)	10	

**S
E
C
T
I
O
N

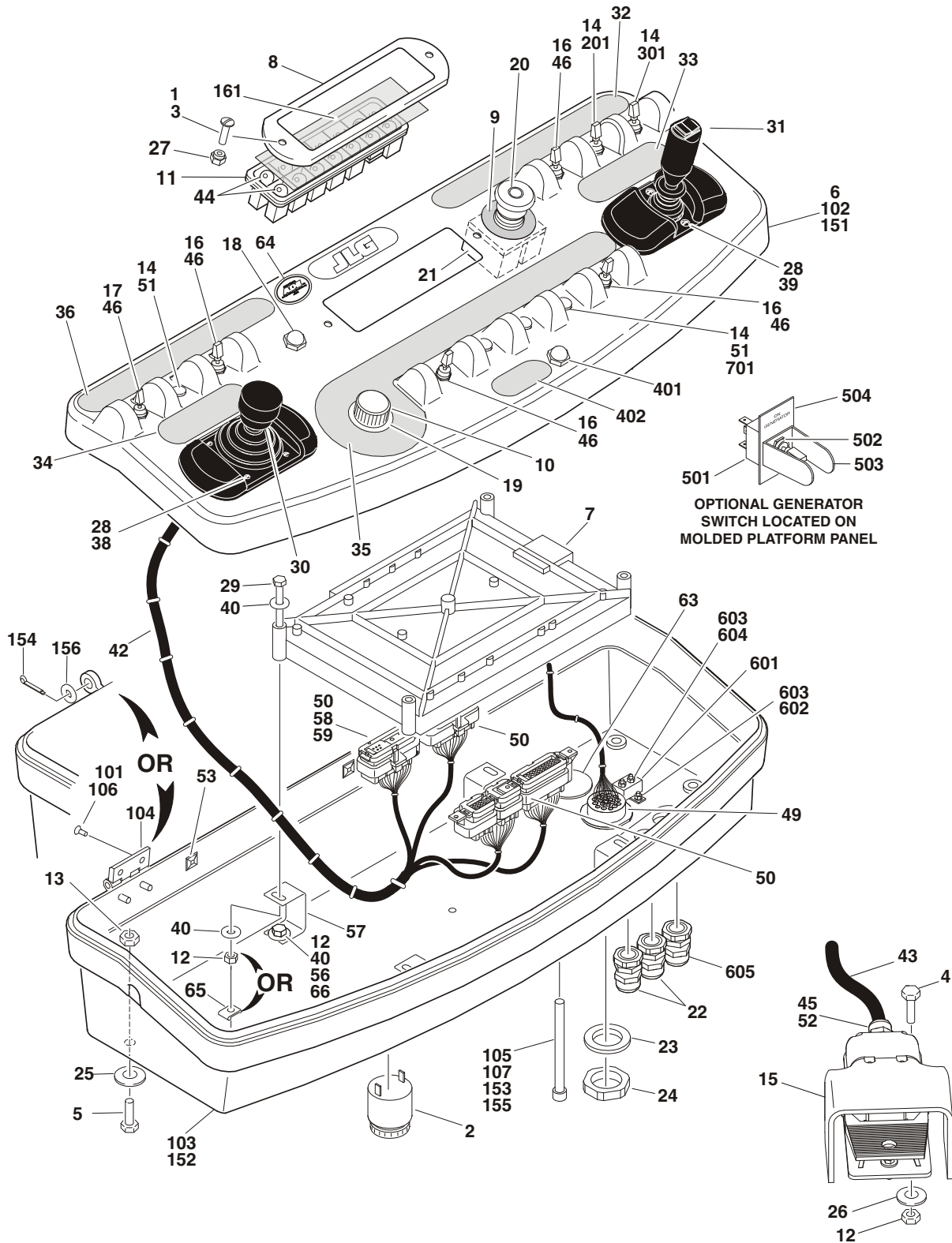
4

P
L
A
T
F
O
R
M**

SECTION 4 PLATFORM

FIGURE 4-4.PLATFORM CONSOLE ASSEMBLY (ADE SYSTEM) (SN 0300061927 TO SN 0300068000)

SECTION 4 PLATFORM



SECTION 4 PLATFORM

FIGURE 4-4. PLATFORM CONSOLE ASSEMBLY (ADE SYSTEM) (SN 0300061927 TO SN 0300068000)

FIG & ITEM #	PART NUMBER	DESCRIPTION	QTY.	REV.
		CONSOLE BOX & FOOTSWITCH ASSEMBLIES	Ref	
	0861388	SN 0300061927 to SN 0300063909	Ref	F
	See Note	SN 0300063910 to SN 0300064498	Ref	
	0861477	SN 0300063909 to SN 0300067725	Ref	B
	See Note	SN 0300067725 to SN 0300068965 (Note: See Item 6 Note)	Ref	
	0861511	SN 0300068965 to SN 0300068000	Ref	A
		Note: SN 0300063910 to SN 0300064498 use either p/n 0861388 or p/n 0861477 platform console box. See Note in ELECTRICAL SECTION Harness Components if further identification is required.	Ref	
1	0100035	Compound, Locking	AR	
2	0140011	Alarm	1	
3	0630464	Screw, Button Head #10-24NC x 1/2in	AR	
4	0641408	Bolt 1/4in-20NC x 1in	3	
5	0641610	Bolt 3/8in-16NC x 1-1/4in	AR	
6		Box, Console Options:	1	
		Note: No exact SN break exists. SN 0300067725 to SN 0300068965 may use either box.	Ref	
	0861414	Box, Console - Aluminum (See Items 101-108 for Breakdown)		
	0861537	Box, Console - Die Cast (See Items 151-156 for Breakdown)		
7	1600313	Controller, Module (Re-calibration Required when Replaced)	1	
8	1670829	Bezel	1	
9	1704260	Decal - EMS	1	
10	2560136	Handle, Knob	1	
11	2760105	Housing, Display Light	1	
12	3311405	Locknut 1/4in-20NC	11	
13	3311605	Locknut 3/8in-16NC	4	
14	3520028	Plug, Hole 1/2in	6	
15	See Note	Footswitch (Note: See PLATFORM COMPONENTS INSTALLATION (SIDE ENTRY) for Service Parts)	1	
16	4360328	Switch, Toggle	4	
17	4360331	Switch, Toggle	1	
18	4360387	Switch, Pushbutton	1	
19	4360407	Controller, Speed	1	
	See Note	Gasket "Top Hat" (Included with Switch) (Note: Not Available - Purchase Complete Controller.)	1	
	70003784	Seal	1	
20	4360475	Switch, Emergency Stop	1	
	7020175	Cap, Red	1	
	7020176	Contact Block	1	
21	4360476	Block, Contact	1	
22	4460428	Connector, Strain Relief	2	
23	4460471	Lockwasher, Terminal	1	

SECTION 4 PLATFORM

SECTION 4 PLATFORM

FIGURE 4-4. PLATFORM CONSOLE ASSEMBLY (ADE SYSTEM) (SN 0300061927 TO SN 0300068000) (CONTINUED)

FIG & ITEM #	PART NUMBER	DESCRIPTION	QTY.	REV.
24	4460470	Nut, Terminal	1	
25	4751600	Flatwasher 3/8in Regular	4	
26	4740362	Flatwasher 1/4in Fender	AR	
27	3300408	Insert, Nylon (SN 0300061927 to SN 0300067725)	2	
28	0641404	Bolt 1/4in-20NC x 1/2in	8	
29		Bolt Options:	4	
	0641418	Bolt 1/4in-20NC x 2-1/4in (SN 0300061927 to SN 0300067725)		
	0641416	Bolt 1/4in-20NC x 2in (SN 0300067725 to SN 0300068000)		
30	Use 1001129555	Controller Assembly (Swing & Lift) (See CONTROLLER ASSEMBLY (SWING & LIFT) for Breakdown) (was p/n 1600317 & 1001118417)	1	
31	Use 1001118416	Controller Assembly (Drive & Steer) (See CONTROLLER ASSEMBLY (DRIVE & STEER) for Breakdown) (was p/n 1600318)	1	
32	1702564	Decal (Stop)	1	
33	1702565	Decal (Drive and Steer)	1	
34	1702566	Decal (Lift and Swing)	1	
35	1702567	Decal (Function Speed)	1	
36	1702676	Decal (Horn)	1	
37	Not Used			
38	4340678	Support, Hand	1	
39	4340684	Support, Hand	1	
40	4751400	Flatwasher 1/4in Regular	16	
41	4922666	Harness, Analyzer Cable (Not Shown) (See ELECTRICAL SECTION for Breakdown)	1	
42	4922639	Harness, Platform Box (See ELECTRICAL SECTION for Breakdown)	1	
43		Cable Options (See ELECTRICAL SECTION for Breakdown):	AR	
	1060330	Cable 12/3 (Prior to SN 0300064499)		
	1060918	Cable 18/3 (SN 0300064499 to SN 0300068000)		
44	2920129	Bulb, Light	12	
45	4460071	Connector, Strain Relief	1	
46	3790012	O-Ring	5	
47	Not Used			
48	Not Used			
49	4460464	Terminal, Deutsch	1	
50		Terminal, Socket	2	
	4460871	SN 0300061927 to SN 0300067725		
	See Note	SN 0300067725 to SN 0300068965 (Note: See Item 6 Note)		
	4460226	SN 0300068965 to SN 0300068000		
51	0100009	Sealant	AR	
52	0100020	Loctite #567	AR	
53	4460488	Terminal, Mounting Base	1	
54	4460234	Wire Tie (Not Shown)	AR	
55	Not Used			

SECTION 4 PLATFORM

SECTION 4 PLATFORM

FIGURE 4-4. PLATFORM CONSOLE ASSEMBLY (ADE SYSTEM) (SN 0300061927 TO SN 0300068000) (CONTINUED)

FIG & ITEM #	PART NUMBER	DESCRIPTION	QTY.	REV.
56		Bolt Options:	4	
	0641406	Bolt 1/4in-20NC x 3/4in (SN 0300061927 to SN 0300067725)		
	0641404	Bolt 1/4in-20NC x 1/2in (SN 0300067725 to SN 0300068000)		
57	0902751	Bracket, Card Support	4	
58	4460905	Connector, Amp Seal Plug	5	
59	0100048	Grease, Dielectric	AR	
60	4460226	Socket, Female (Not Shown - Used with Footswitch) (See ELECTRICAL SECTION for Location)	2	
61	4460708	Connector, Female - 15 Position (Not Shown - See ELECTRICAL SECTION for Location)	2	
62	4460905	Seal, Plug (Not Shown - Used with Footswitch) (See ELECTRICAL SECTION for Location)	5	
63	1671037	Cover (SN 0300067816 to SN 0300068000)	1	
64	1705132	Decal - ADE (SN 0300067816 to SN 0300068000)	1	
65	3300353	Nut, Tinnerman (SN 0300067816 to SN 0300068000)	4	
66	0100081	Loctite #454 (SN 0300064398 to SN 0300068000)	AR	
	Use 100119562	----- Decal Kit - Console Box (Includes Items 9 & 32-36) (was p/n 2910869)	1	
	0861414	CONSOLE BOX ASSEMBLY See Note Under Item 6 for Usage.	Ref	C
101	0100011	Compound, Locking	AR	
102	See Note	Console Top (Note: Not Available - Purchase Complete Console Box Assembly.)	1	
103	See Note	Console Bottom (Note: Not Available - Purchase Complete Console Box Assembly.)	1	
104	2600211	Hinge	2	
105	3311601	Nut 3/8in-16NC	1	
106	3900224	Screw Countersunk	8	
107	3931672	Screw 3/8in-16NC x 4-1/2in	1	
108	3520174	Plug, Hole 3/16in (Not Shown) (Located on back of console box)	3	
	0861537	CONSOLE BOX ASSEMBLY See Note Under Item 6 for Usage.	Ref	A
151	See Note	Console Top (Note: Not Available - Purchase Complete Console Box Assembly.)	1	
152	See Note	Console Bottom (Note: Not Available - Purchase Complete Console Box Assembly.)	1	
153	3311601	Nut 3/8in-16NC	1	
154	3450304	Pin, Cotter	2	
155	3931672	Screw 3/8in-16NC x 4-1/2in	1	
156	4711500	Flatwasher 5/16in Thin	2	

SECTION 4 PLATFORM

SECTION 4 PLATFORM

FIGURE 4-4. PLATFORM CONSOLE ASSEMBLY (ADE SYSTEM) (SN 0300061927 TO SN 0300068000) (CONTINUED)

FIG & ITEM #	PART NUMBER	DESCRIPTION	QTY.	REV.
	0256631	LIGHT PANEL DECAL INSTALLATION	Ref	—
161	1702387	Decal - Display	1	
	0270764	DUAL FUEL SWITCH INSTALLATION	Ref	4
201	4360336	Switch, Toggle	1	
	3790012	O-Ring	1	
		HEAD & TAIL LIGHTS INSTALLATIONS (OPTIONAL)	Ref	
	0270802	SN 0300061927 to SN 0300063909	Ref	1
	0271552	SN 0300063909 to SN 0300068000	Ref	1
301	4360336	Switch, Toggle	1	
	3790012	O-Ring	1	
		SOFT TOUCH SYSTEM INSTALLATION (OPTIONAL)	Ref	
		6FT PLATFORM	Ref	
	0270795	SN 0300061927 to SN 0300063909	Ref	1
	0271550	SN 0300063909 to SN 0300068000	Ref	1
		8FT PLATFORM	Ref	
	0270796	SN 0300061927 to SN 0300063909	Ref	1
	0271551	SN 0300063909 to SN 0300068000	Ref	1
401	4360387	Switch, Pushbutton	1	
402	1702938	Decal - Soft Touch Override	1	
		GENERATOR INSTALLATION (OPTIONAL)	Ref	
		SN 0300061927 to SN 0300063909	Ref	
	0270801	110V DEUTZ	Ref	1
	0270810	220V DEUTZ	Ref	1
	0270808	110V FORD	Ref	1
	0270809	220V FORD	Ref	1
		SN 0300063909 to SN 0300068000	Ref	
	0271544	110V DEUTZ	Ref	2
	0271547	220V DEUTZ	Ref	3
	0271545	110V FORD	Ref	3
	0271546	220V FORD	Ref	3
501	4360336	Switch, Toggle	1	
502	4740397	Bushing	1	
503	4060802	Guard, Switch	1	
504	3251102	Decal - Generator ON/OFF	1	

SECTION 4 PLATFORM

SECTION 4 PLATFORM

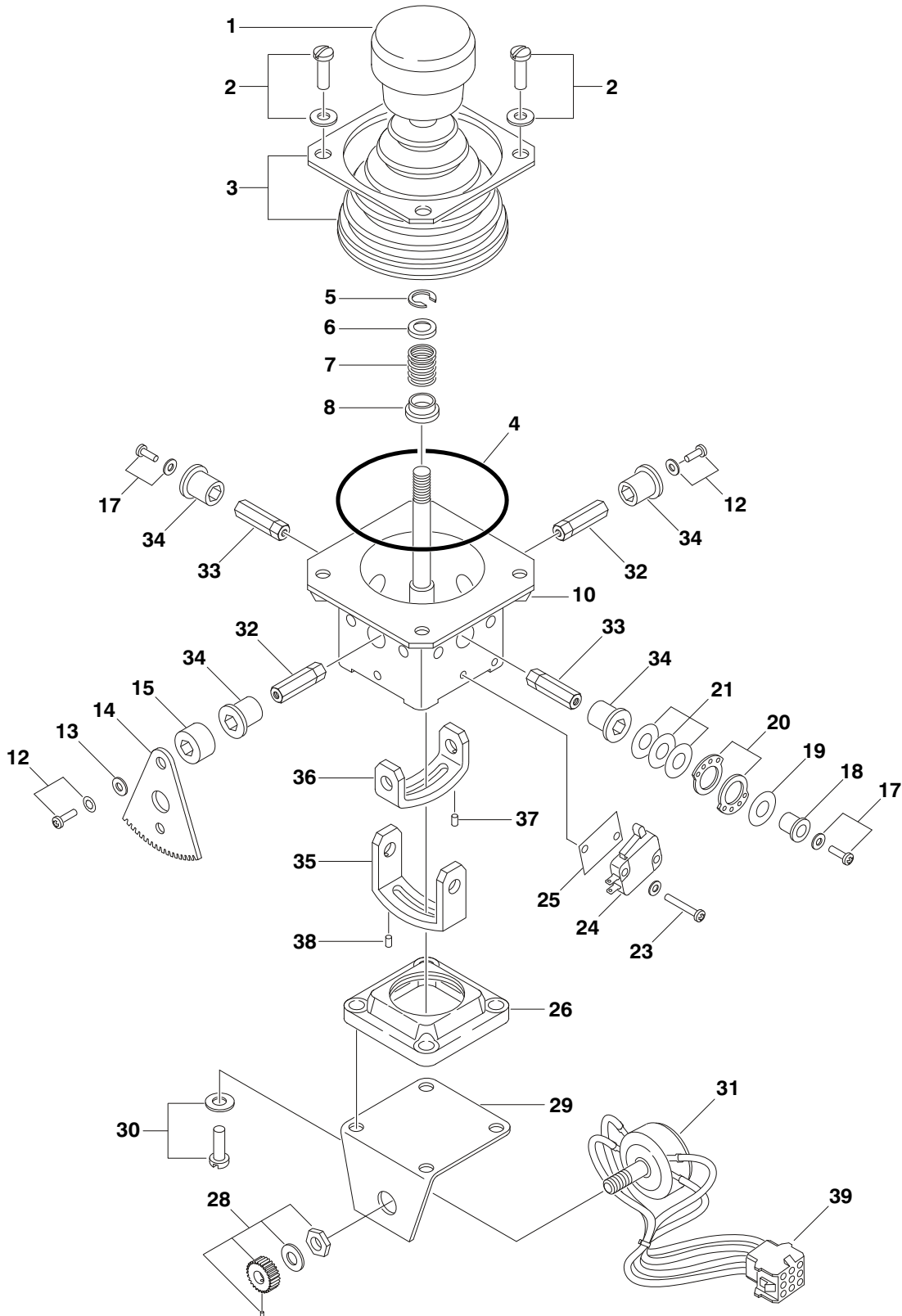
FIGURE 4-4. PLATFORM CONSOLE ASSEMBLY (ADE SYSTEM) (SN 0300061927 TO SN 0300068000) (CONTINUED)

FIG & ITEM #	PART NUMBER	DESCRIPTION	QTY.	REV.
	0270814	PLATFORM WORKLIGHT INSTALLATION (OPTIONAL)	Ref	3
601	4360232	Breaker, Circuit - 15Amp	1	
602	0721003	Bolt #10-24NC x 3/8in	2	
603	4761000	Lockwasher #10	4	
604	3311001	Nut #10-24NC	2	
605	4460598	Connector, Strain Relief	1	
		JIB SWITCH INSTALLATION (600SJ & 660SJ ONLY)	Ref	
701	4360328	Switch, Toggle	1	
	3790012	O-Ring	1	

SECTION 4 PLATFORM

SECTION 4 PLATFORM

FIGURE 4-5. CONTROLLER ASSEMBLY (SWING AND LIFT) (PRIOR TO SN 0300039654) (ORIGINAL EQUIPMENT)



SECTION 4 PLATFORM

SECTION 4 PLATFORM

FIGURE 4-5. CONTROLLER ASSEMBLY (SWING AND LIFT) (PRIOR TO SN 0300039654) (ORIGINAL EQUIPMENT)

FIG & ITEM #	PART NUMBER	DESCRIPTION	QTY.	REV.
		Note: Original Equipment controller may have been replaced with Service Replacement controller. Visually identify controller before ordering parts.	Ref	
	Use 1600284	CONTROLLER ASSEMBLY (was p/n 1600242)	Ref	A
		Note: Purchase Controller p/n 1600284 for Complete Controller Replacement.	Ref	
1	7003951	Knob, Handle	1	
2	See Note	Screw M14 x 25mm (Note: Not Available - Purchase Locally.)	4	
	See Note	Washer (Note: Not Available - Purchase Locally.)	4	
3	Use 7022813	Plate (was p/n 7003954)	1	
	Use 7022813	Boot (was p/n 7003955)	1	
4	7003956	O-Ring	1	
5	7003957	Ring, Retaining	1	
6	7003959	Retainer, Spring	1	
7	7003958	Spring, Return	1	
8	7003960	Bushing, Nylon Shaft	1	
9	Not Used			
10	Use 1600284	Casting, Handle (Note: Not Available for Purchase.)	1	
11	Not Used			
12	See Note	Screw M3 x.05/Starwasher M3 (Note: Not Available - Purchase Locally.)	2/2	
13	See Note	Spacer (Note: Not Available for Purchase.)	2	
14	7003977	Gear, Drive	2	
15	See Note	Bearing (Note: Not Available for Purchase.)	2	
16	Not Used			
17	See Note	Screw M3 (Note: Not Available - Purchase Locally.)	2	
	See Note	Washer, Wavy (Note: Not Available - Purchase Locally.)	2	
18	7019193	Coupling, Cam	2	
19	See Note	Spacer, Cam (Note: Not Available for Purchase.)	2	
20	See Note	Cam, 4 Hole (Note: Not Available for Purchase.)	4	
21	See Note	Cam (Note: Not Available for Purchase.)	6	
22	Not Used			
23	See Note	Screw/Washer (Note: Not Available - Purchase Locally.)	4/4	
24	7003961	Micro-Switch	2	
25	See Note	Insulator (Note: Not Available for Purchase.)	2	
26	Use 1600284	Gate (Note: Not Available for Purchase.)	1	
27	Not Used			
28	7003976	Gear	2	
	See Note	Setscrew (Note: Not Available - Purchase Locally.)	2	
	See Note	Spacer (Note: Not Available for Purchase.)	2	
	See Note	Nut (Note: Not Available for Purchase.)	2	
29	Use 1600284	Plate, Pot Mounting (Note: Not Available for Purchase.)	1	

SECTION 4 PLATFORM

SECTION 4 PLATFORM

FIGURE 4-5. CONTROLLER ASSEMBLY (SWING AND LIFT) (PRIOR TO SN 0300039654) (ORIGINAL EQUIPMENT) (CONTINUED)

FIG & ITEM #	PART NUMBER	DESCRIPTION	QTY.	REV.
30	See Note	Screw M4 x 14/Washer M4 (Note: Not Available - Purchase Locally.)	4/4	
31	7003974	Potentiometer	2	
32	7019192	Pin	1	
33	7019104	Pin	2	
34	7019111	Bushing	2	
35	7019122	Limiter, Gate - Outer	1	
36	7019123	Limiter, Gate - Inner	1	
37	See Note	Setscrew (Note: Not Available - Purchase Locally.)	1	
38	See Note	Setscrew (Note: Not Available - Purchase Locally.)	1	
39	4460266	Cap, Connector - 9 Pin	1	
	4460268	Socket, Female	8	
	4460265	Plug - 9 Pin (Part of Platform Wiring) (Not Shown)	1	
	4460267	Pin, Male (Part of Platform Wiring) (Not Shown)	8	

SECTION 4 PLATFORM

SECTION 4 PLATFORM

FIGURE 4-5. CONTROLLER ASSEMBLY (SWING AND LIFT) (PRIOR TO SN 0300039654) (ORIGINAL EQUIPMENT) (CONTINUED)

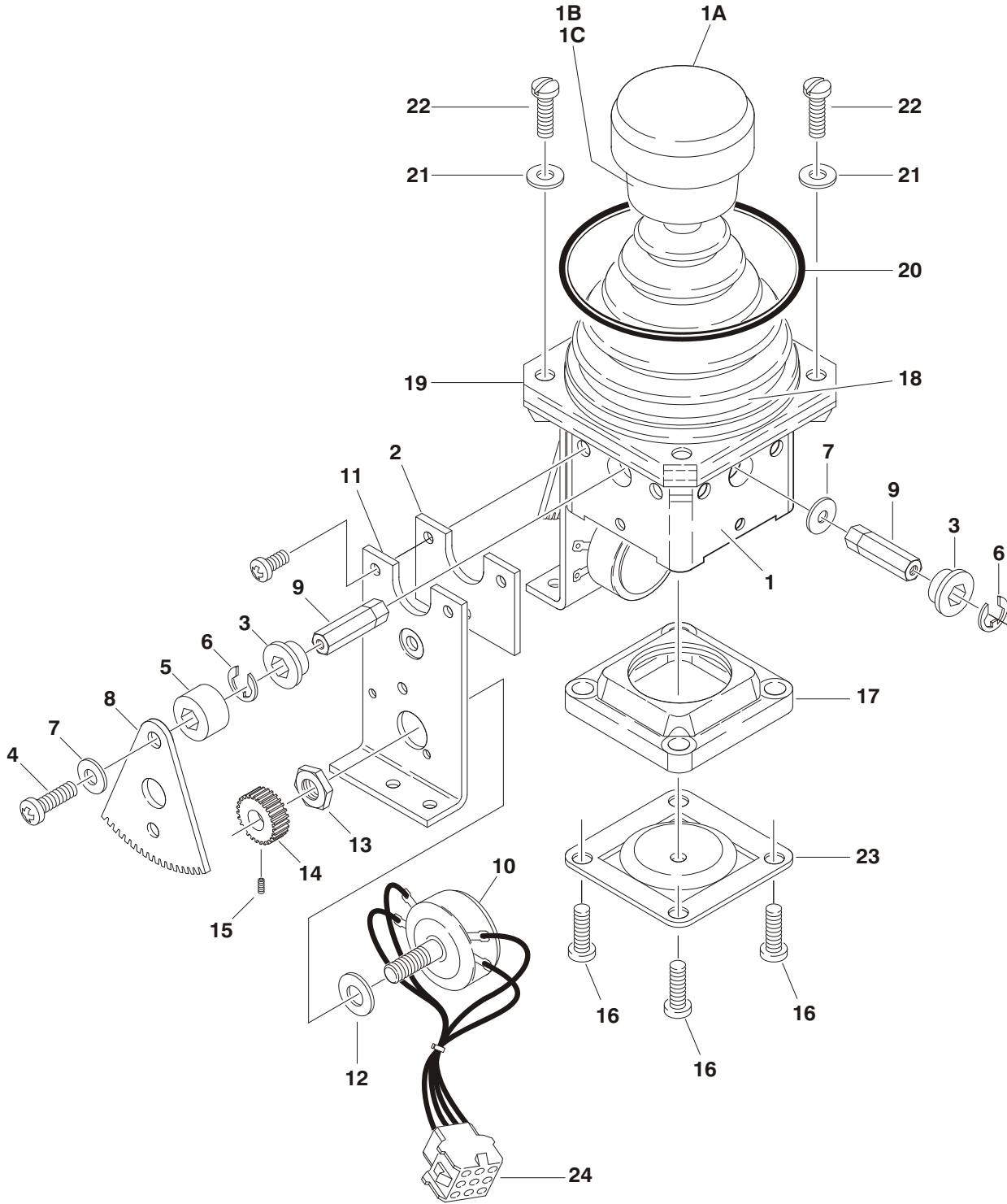
FIG & ITEM #	PART NUMBER	DESCRIPTION	QTY.	REV.

**S
E
C
T
I
O
N
4
P
L
A
T
F
O
R
M**

SECTION 4 PLATFORM

FIGURE 4-6. CONTROLLER ASSEMBLY (SWING AND LIFT) (SN 0300039654 TO SN 0300061927) (SERVICE REPLACEMENT)

SECTION 4 PLATFORM



SECTION 4 PLATFORM

**FIGURE 4-6. CONTROLLER ASSEMBLY (SWING AND LIFT) (SN 0300039654 TO SN 0300061927)
(SERVICE REPLACEMENT)**

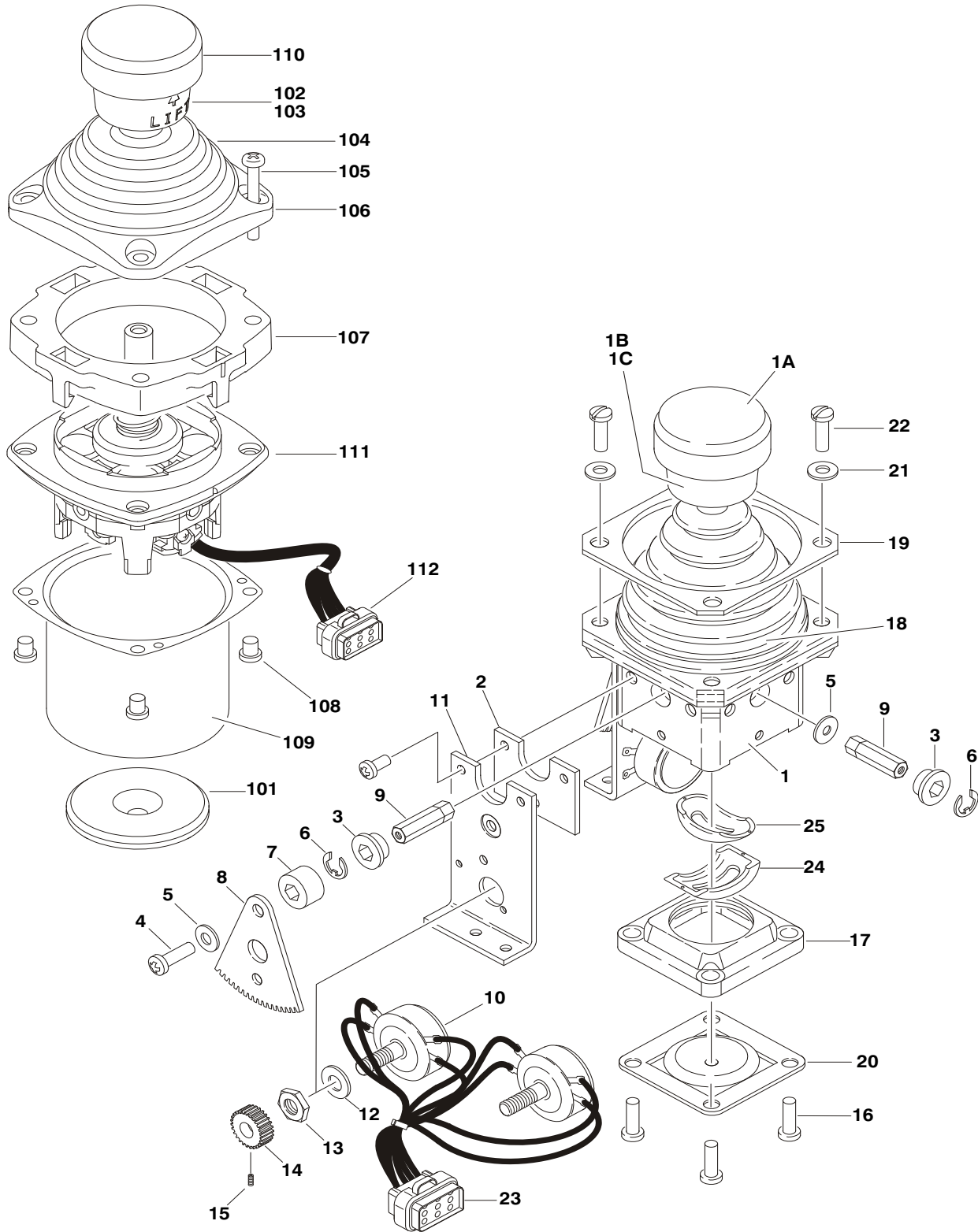
FIG & ITEM #	PART NUMBER	DESCRIPTION	QTY.	REV.
		Note: Original Equipment controller may have been replaced with Service Replacement controller. Visually identify controller before ordering parts.	Ref	
	1600284	CONTROLLER ASSEMBLY	Ref	A
1	7019141	Mechanical Assembly (Includes Base, Handle Stem & Items 1A, 1B, 1C & 18)	1	
1A	7019197	Handle Cap and Rod	1	
1B	7003928	Spring	1	
1C	7022808	Cap, Lift	1	
2	7019171	Plate	2	
3	7019111	Bearing, Gear	4	
4	7019143	Screw	2	
5	7019144	Spacer, Cam	2	
6	7019145	E-Clip	4	
7	7019174	Spacer	2	
8	7003977	Gear, Drive	2	
9	7019147	Shaft	4	
10	7003974	Potentiometer	2	
11	7019142	Plate	2	
12	7003992	Washer	2	
13	7003993	Nut	2	
14	7003976	Gear, Slave	2	
15	7019149	Setscrew	2	
16	7003952	Screw	4	
17	7019150	Gate	1	
18	Use 7022813	Boot (was p/n 7003955)	1	
19	Use 7022813	Plate, Plastic (was p/n 7003954)	1	
20	7003956	Gasket	1	
21	7003953	Washer	4	
22	7019137	Screw	4	
23	Use 1600284	Center, Detent (Note: Not Available for Purchase.)	1	
24	4460266	Connector - 9 Pin	1	
	4460268	Socket, Female	8	
	4460265	Plug - 9 Pin (Part of Platform Wiring) (Not Shown)	1	
	4460267	Pin, Male (Part of Platform Wiring) (Not Shown)	8	

SECTION 4 PLATFORM

SECTION 4 PLATFORM

FIGURE 4-7. CONTROLLER ASSEMBLY (SWING AND LIFT) (ADE SYSTEM)
(SN 0300061927 TO SN 0300068000)

SECTION 4 PLATFORM



SECTION 4 PLATFORM

FIGURE 4-7. CONTROLLER ASSEMBLY (SWING AND LIFT) (ADE SYSTEM) (SN 0300061927 TO SN 0300068000)

FIG & ITEM #	PART NUMBER	DESCRIPTION	QTY.	REV.
		Note: Original Equipment controller may have been replaced with Service Replacement controller. Visually identify controller before ordering parts.	Ref	
		CONTROLLER ASSEMBLIES	Ref	
	1600317	Controller Assembly (Original Equipment)	Ref	B
1	7019141	Mechanical Assembly (Includes Base, Handle Stem & Items 1A, 1B, 1C & 18)	1	
1A	7019197	Handle Cap & Rod	1	
1B	7003928	Spring	1	
1C	7022808	Cap, Lift	1	
2	7019171	Plate	2	
3	7019111	Bearing, Gear	4	
4	7019143	Screw	2	
5	7019144	Spacer, Cam	2	
6	7019145	E-Clip	4	
7	7019174	Spacer	2	
8	7003977	Gear, Drive	2	
9		Shaft Options:	2	
	7019147	Shaft, Short		
	7019177	Shaft, Long		
10	7022818	Potentiometer	2	
11	7019142	Plate	2	
12	7003992	Washer	2	
13	7003993	Nut	2	
14	7003976	Gear, Slave	2	
15	7019149	Setscrew	2	
16	7022816	Screw	4	
17	7019150	Gate	1	
18	7022814	Boot	1	
19	7022815	Bezel	1	
20	Use 1001129555	Center, Detent (Note: Not Available for Purchase.)	1	
21	7003953	Washer	4	
22	7022817	Screw	4	
23	7022819	Plug, Male 8 Position (Natural)	1	
	4460871	Socket, Female	8	
24	7019122	Gimble, Outer	1	
25	7019123	Gimble, Inner	1	
	1001129555	Controller Assembly (Service Replacement)	Ref	A
		Note: Was p/n 100118417 Assembly - Use p/n 1001129555 Kit as replacement.	Ref	
101	70002730	Gasket	1	
102	7003928	Spring	1	
103	7022808	Cap, Lift	1	
104	70002731	Boot	1	
105	70002732	Screw	4	

SECTION 4 PLATFORM

SECTION 4 PLATFORM

FIGURE 4-7. CONTROLLER ASSEMBLY (SWING AND LIFT) (ADE SYSTEM) (SN 0300061927 TO SN 0300068000) (CONTINUED)

FIG & ITEM #	PART NUMBER	DESCRIPTION	QTY.	REV.
106	7022815	Bezel	1	
107	70002733	Adapter	1	
108	70002734	Screw	4	
109	70002735	Can, Enclosure	1	
110	70002906	Cap	1	
111	Use 1001129555	Mechanical Assembly (Note: Not Available for Purchase.)	1	
112	7022819	Plug, Male 8 Position (Natural) (Not Shown)	1	
	4460871	Socket, Female	6	

SECTION 4 PLATFORM

SECTION 4 PLATFORM

FIGURE 4-7. CONTROLLER ASSEMBLY (SWING AND LIFT) (ADE SYSTEM) (SN 0300061927 TO SN 0300068000) (CONTINUED)

FIG & ITEM #	PART NUMBER	DESCRIPTION	QTY.	REV.

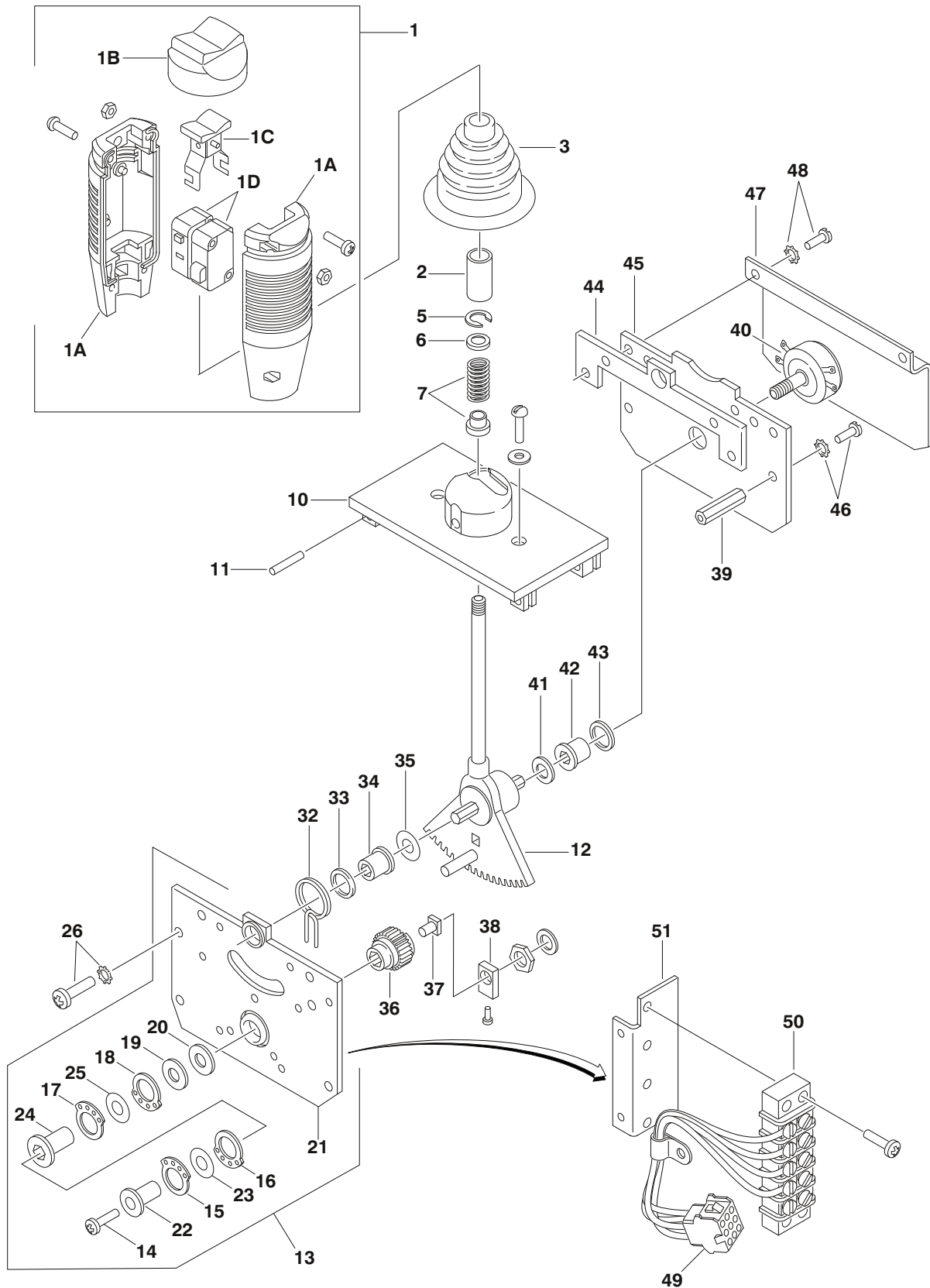
**S
E
C
T
I
O
N

4

P
L
A
T
F
O
R
M**

SECTION 4 PLATFORM

FIGURE 4-8. CONTROLLER ASSEMBLY (DRIVE AND STEER) (PRIOR TO SN 0300039654) (ORIGINAL EQUIPMENT)



SECTION 4 PLATFORM

SECTION 4 PLATFORM

**FIGURE 4-8. CONTROLLER ASSEMBLY (DRIVE AND STEER) (PRIOR TO SN 0300039654)
(ORIGINAL EQUIPMENT)**

FIG & ITEM #	PART NUMBER	DESCRIPTION	QTY.	REV.
		Note: Original Equipment controller may have been replaced with Service Replacement controller. Visually identify controller before ordering parts.	Ref	
	Use 1600283	CONTROLLER ASSEMBLY (was p/n 1600239) Note: Purchase Controller p/n 1600283 for Complete Controller Replacement.	Ref Ref	C
1	7003978	Handle Assembly	1	
1A	7003973	Half, Handle	2	
1B	7003972	Boot, Switch	1	
1C	7003981	Rocker	1	
1D	7003982	Switch, Micro	2	
2	7003984	Coupling	1	
3	7003966	Boot	1	
4	Not Used			
5	7003957	Ring, Retainer	1	
6	7003967	Flatwasher	1	
7	7003968	Detent, Assembly	1	
8 to 9	Not Used			
10	Use 1600283	Plate, Base (Note: Not Available for Purchase.)	1	
11	See Note	Pin (Note: Not Available for Purchase.)	1	
12	7003963	Shaft/Gear Assembly	1	
13	Use 1600283	Micro Cam Assembly (Includes Items 14-25) (Note: Not Available for Purchase.)	1	
14	Not Serviced	Screw	1	
15	See Note	Cam, 4 Hole (Note: Not Available for Purchase.)	1	
16	See Note	Cam, 4 Hole (Note: Not Available for Purchase.)	1	
17	See Note	Cam, 4 Hole (Note: Not Available for Purchase.)	1	
18	See Note	Cam, 4 Hole (Note: Not Available for Purchase.)	1	
19	See Note	Spacer, Cam (Note: Not Available for Purchase.)	1	
20	See Note	Spacer, Cam (Note: Not Available for Purchase.)	1	
21	Use 1600283	Plate, Cam - Left Side (Note: Not Available for Purchase.)	1	
22	See Note	Coupling, Cam (Note: Not Available for Purchase.)	1	
23	See Note	Spacer, Cam (Note: Not Available for Purchase.)	1	
24	See Note	Coupling, Cam (Note: Not Available for Purchase.)	1	
25	See Note	Spacer, Cam (Note: Not Available for Purchase.)	1	
26	See Note	Screw (Note: Not Available - Purchase Locally.)	4	
26	See Note	Washer (Note: Not Available - Purchase Locally.)	4	
27 to 31	Not Used			
32	7003946	Spring, Return	1	
33	See Note	Spacer (Note: Not Available for Purchase.)	1	
34	See Note	Bearing (Note: Not Available for Purchase.)	1	
35	See Note	Washer, Cam Retainer (Note: Not Available for Purchase.)	1	
36	See Note	Gear, Slave (Note: Not Available for Purchase.)	1	

SECTION 4 PLATFORM

**FIGURE 4-8. CONTROLLER ASSEMBLY (DRIVE AND STEER) (PRIOR TO SN 0300039654)
(ORIGINAL EQUIPMENT) (CONTINUED)**

FIG & ITEM #	PART NUMBER	DESCRIPTION	QTY.	REV.
37	See Note	Nut/Cam Assembly (Note: Not Available for Purchase.)	1	
38	See Note	Coupling, Potentiometer (Note: Not Available for Purchase.)	1	
39	See Note	Stand-Off (Note: Not Available for Purchase.)	2	
40	7003974	Potentiometer	1	
41	See Note	Washer, Cam Retainer (Note: Not Available for Purchase.)	1	
42	See Note	Bearing (Note: Not Available for Purchase.)	1	
43	See Note	Spacer (Note: Not Available for Purchase.)	1	
44	Use 1600283	Plate, Mounting (Note: Not Available for Purchase.)	1	
45	Use 1600283	Plate, Potentiometer (Note: Not Available for Purchase.)	1	
46	See Note	Screw (Note: Not Available - Purchase Locally.)	2	
	See Note	Washer (Note: Not Available - Purchase Locally.)	2	
47	Use 1600283	Heatsink (Note: Not Available for Purchase.)	1	
48	See Note	Screw (Note: Not Available - Purchase Locally.)	2	
	See Note	Washer (Note: Not Available - Purchase Locally.)	2	
49	4460266	Connector, Amp (9Pin)	1	
	4460268	Socket (Not Shown)	7	
	4460265	Plug, Amp (9Pin) (Not Shown - Part of Harness)	1	
	4460267	Pin (Not Shown - Part of Harness)	7	
50	7003886	Strip, Terminal - 3 Position	1	
	See Note	Strip, Terminal - 5 Position (Note: Not Available for Purchase.)	1	
51	7003985	Brace	1	

SECTION 4 PLATFORM

SECTION 4 PLATFORM

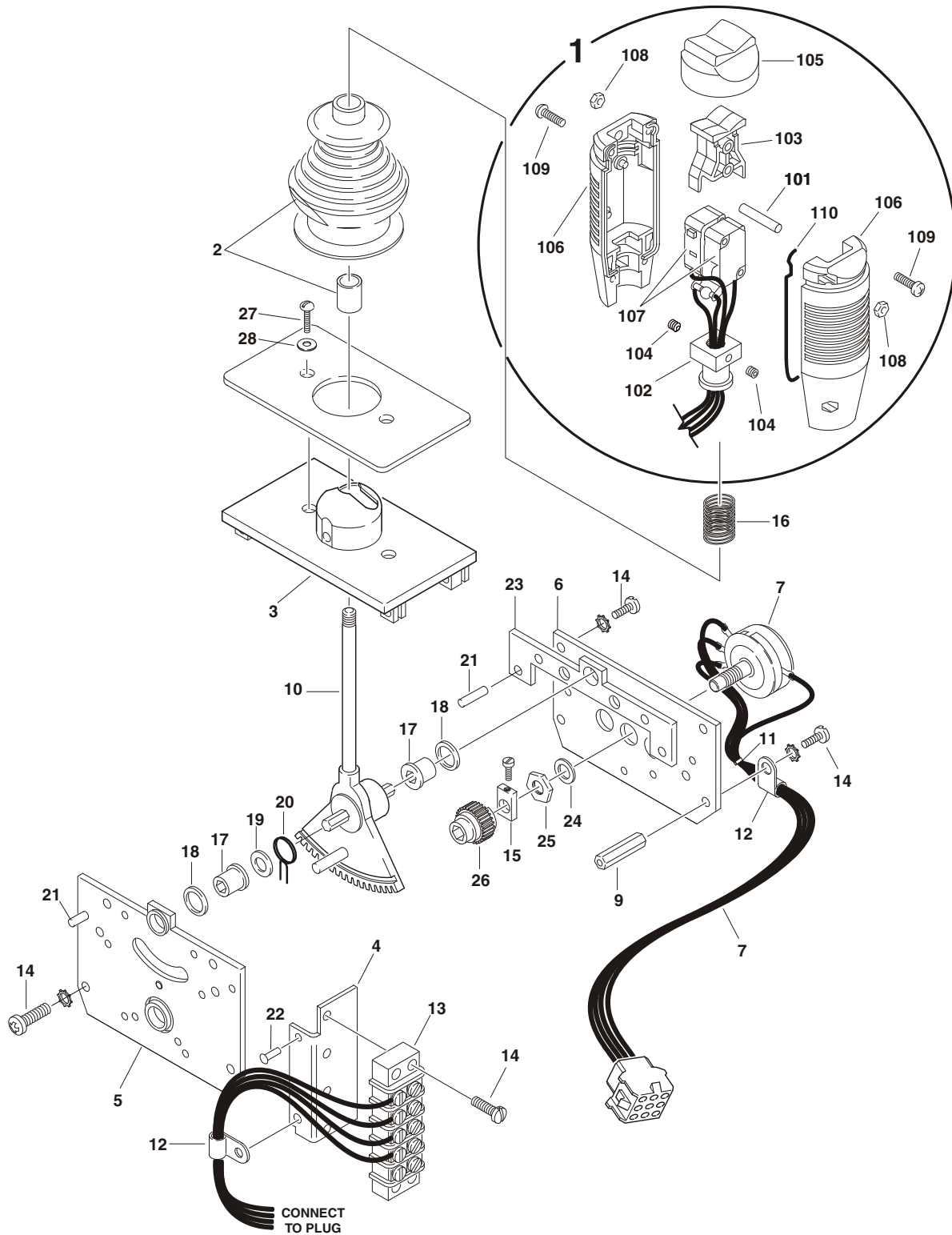
FIGURE 4-8. CONTROLLER ASSEMBLY (DRIVE AND STEER) (PRIOR TO SN 0300039654)
(ORIGINAL EQUIPMENT) (CONTINUED)

FIG & ITEM #	PART NUMBER	DESCRIPTION	QTY.	REV.

**S
E
C
T
I
O
N
4
P
L
A
T
F
O
R
M**

SECTION 4 PLATFORM

FIGURE 4-9. CONTROLLER ASSEMBLY (DRIVE AND STEER) (SN 0300039654 TO SN 0300061927) (SERVICE REPLACEMENT)



SECTION 4 PLATFORM

SECTION 4 PLATFORM

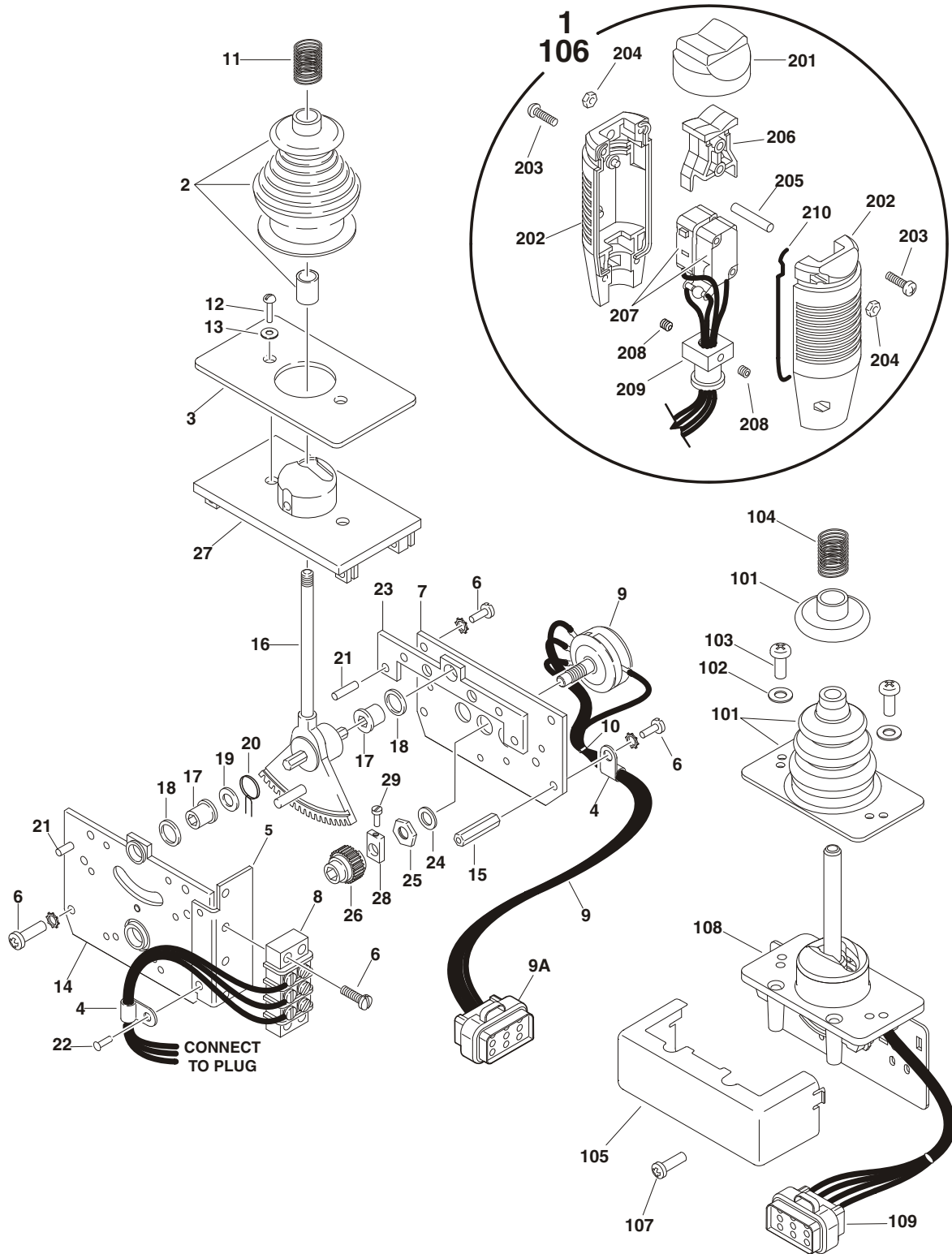
**FIGURE 4-9. CONTROLLER ASSEMBLY (DRIVE AND STEER) (SN 0300039654 TO SN 0300061927)
(SERVICE REPLACEMENT)**

FIG & ITEM #	PART NUMBER	DESCRIPTION	QTY.	REV.
		Note: Original Equipment controller may have been replaced with Service Replacement controller. Visually identify controller before ordering parts.	Ref	
	1600283	CONTROLLER ASSEMBLY	Ref	B
1	7022810	Handle Assembly (See items 101-110 for Breakdown)	1	
2	7019161	Boot and Sleeve	1	
3	7019160	Cast Housing Assembly	1	
4	7019159	Bracket, Mounting	1	
5	7019158	Plate, Mounting (Left Side)	1	
6	7019157	Plate, Pot Mounting	1	
7	7019156	Electric Assembly	1	
8	Not Used			
9	7019115	Stand-Off	2	
10	7019155	Shaft 8mm	1	
11	7019151	Tie-Strap	AR	
12	7019154	Clamp, Wire	2	
13	7019153	Strip, Terminal - 5 Position	1	
14	7019117	Screw	8	
15	7019163	Potentiometer Coupling Assembly	1	
16	7019162	Spring	1	
17	7019111	Bearing	2	
18	7019110	Spacer, Head Gear	2	
19	7019112	Washer	1	
20	7003946	Spring, Return	1	
21	7019103	Pin	4	
22	See Note	Rivet (Note: Not Available - Purchase Locally.)	1	
23	7019168	Plate, Mounting (Right Side)	1	
24	7003992	Washer	1	
25	7003993	Nut	1	
26	7003935	Gear, Slave	1	
27	7003969	Screw	2	
28	7003941	Washer	2	
	7022810	HANDLE ASSEMBLY	Ref	
101	7019164	Axle	1	
102	7019194	Coupling	1	
103	7019165	Rocker	1	
104	7003983	Setscrew	2	
105	7003972	Boot, Switch	1	
106	7003973	Half, Handle	2	
107	7019166	Switch, Micro	2	
108	7019167	Nut	4	
109	7003980	Screw	4	
110	7003989	Gasket	2	

SECTION 4 PLATFORM

FIGURE 4-10. CONTROLLER ASSEMBLY (DRIVE AND STEER) (ADE SYSTEM) (SN 0300061927 TO SN 0300068000)

SECTION 4 PLATFORM



SECTION 4 PLATFORM

FIGURE 4-10. CONTROLLER ASSEMBLY (DRIVE AND STEER) (ADE SYSTEM) (SN 0300061927 TO SN 0300068000)

FIG & ITEM #	PART NUMBER	DESCRIPTION	QTY.	REV.
		Note: Original Equipment controller may have been replaced with Service Replacement controller. Visually identify controller before ordering parts.	Ref	
		CONTROLLER ASSEMBLIES	Ref	
	1600318	Controller Assembly (Original Equipment)	Ref	C
1	7022812	Handle Assembly (See Items 201-210 for Breakdown)	1	
2	7019161	Boot and Sleeve	1	
3	7003933	Gasket	1	
4	7019154	Clamp, Wire	2	
5	7022823	Bracket, Mounting	1	
6	7003994	Screw	1	
7	7022822	Plate, Pot Mounting	1	
8	7003986	Strip, Terminal - 3 Position	1	
9	7022824	Electric Assembly	1	
9A	Use 1001113961	Plug, Male - 8 Position (Black) (was p/n 7022825)	1	
	4460871	Socket, Female	7	
10	7019151	Tie-Strap	AR	
11	7019162	Spring	1	
12	7003969	Screw	2	
13	7003941	Washer	2	
14	Use 1001118416	Plate, Mounting (Left Side) (Note: Not Available for Purchase.)	1	
15	7019115	Stand-Off	2	
16	7019155	Shaft 8mm	1	
17	7019111	Bearing	2	
18	7019110	Spacer, Head Gear	2	
19	7019112	Washer	1	
20	7003946	Spring, Return	1	
21	7019103	Pin	4	
22	See Note	Rivet (Note: Not Available - Purchase Locally.)	1	
23	7019168	Plate, Mounting (Right Side)	1	
24	7003992	Washer	1	
25	7003993	Nut	1	
26	7003935	Gear, Slave	1	
27	7019160	Plate, Base	1	
28	7019114	Coupling, Potentiometer	1	
29	See Note	Screw, Cup Point (Note: Not Available - Purchase Locally.)	1	
	1001118416	Controller Assembly (Service Replacement)	Ref	A
101	70002724	Boot & Control Lock Assembly	1	
102	7003941	Washer	2	
103	70002725	Screw	2	
104	7019162	Spring	1	
105	70002726	Enclosure	1	

SECTION 4 PLATFORM

SECTION 4 PLATFORM

FIGURE 4-10. CONTROLLER ASSEMBLY (DRIVE AND STEER) (ADE SYSTEM) (SN 0300061927 TO SN 0300068000) (CONTINUED)

FIG & ITEM #	PART NUMBER	DESCRIPTION	QTY.	REV.
106	70002727	Handle Assembly (See Items 201-210 for Breakdown)	1	
107	70002728	Screw	1	
108	Use 1001118416	Mechanical Assembly (Note: Not Available for Purchase.)	1	
109	Use 1001113961 4460871	Plug, Male - 8 Position (Black) (was p/n 7022825) Socket, Female	1 7	
		HANDLE ASSEMBLY	Ref	
	7022812	Controller Assembly p/n 1600318	Ref	
	70002727	Controller Assembly p/n 1001118416	Ref	
201	7003972	Boot, Switch	1	
202	7003973	Half, Handle	2	
203	7003980	Screw	4	
204	7019167	Nut	4	
205	7019164	Axle	1	
206	7019165	Rocker	1	
207		Wiring Assembly Options:	1	
	7019196	Controller Assembly p/n 1600318		
	70002729	Controller Assembly p/n 1001118416		
		Switch, Micro	2	
	7019166	Controller Assembly p/n 1600318		
	7003982	Controller Assembly p/n 1001118416		
208	7003983	Setscrew	2	
209	7019194	Coupling	1	
210	7003989	Gasket	2	

SECTION 4 PLATFORM

SECTION 4 PLATFORM

FIGURE 4-10. CONTROLLER ASSEMBLY (DRIVE AND STEER) (ADE SYSTEM) (SN 0300061927 TO SN 0300068000) (CONTINUED)

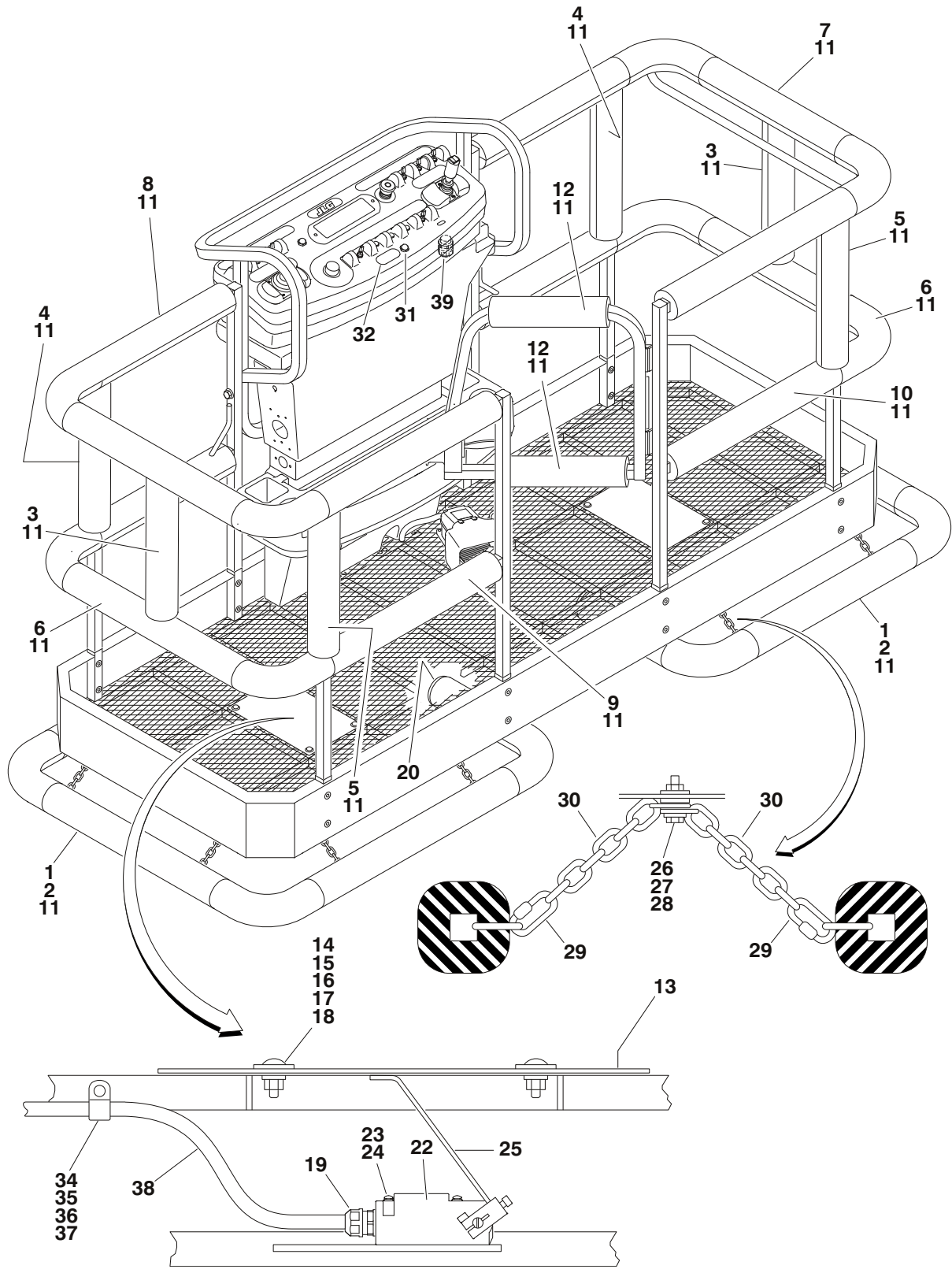
FIG & ITEM #	PART NUMBER	DESCRIPTION	QTY.	REV.

**S
E
C
T
I
O
N
4
P
L
A
T
F
O
R
M**

SECTION 4 PLATFORM

FIGURE 4-11. SOFT TOUCH SYSTEM INSTALLATION (OPTIONAL)

SECTION 4 PLATFORM



SECTION 4 PLATFORM

FIGURE 4-11. SOFT TOUCH SYSTEM INSTALLATION (OPTIONAL)

FIG & ITEM #	PART NUMBER	DESCRIPTION	QTY.	REV.
		SOFT TOUCH SYSTEM INSTALLATIONS OPTIONS:	Ref	
		6Ft/1.8m Platforms	Ref	
	0255885	Prior to SN 0300035129	Ref	3
	0257849	SN 0300035129 to SN 0300061927	Ref	1
		6Ft/1.8m Platforms - ADE System	Ref	
	0270795	SN 0300061927 to SN 0300063909	Ref	1
	0271550	SN 0300063909 to SN 0300068000	Ref	1
		8Ft/2.4m Platforms	Ref	
	0255886	Prior to SN 0300035129	Ref	3
	0257850	SN 0300035129 to SN 0300061927	Ref	1
		8Ft/2.4m Platforms - ADE System	Ref	
	0270796	SN 0300061927 to SN 63909	Ref	1
	0271551	SN 0300063909 to SN 0300068000	Ref	1
1		Rail Weldment Options:	2	
	4845308	6ft/1.8m Platforms		
	4845309	8Ft/2.4m Platforms		
2		Cover, Rail Options:	2	
	1670804	6ft/1.8m Platforms		
	1670803	8Ft/2.4m Platforms		
3	1670787	Cover, End Post	2	
4	1670785	Cover, Front Right Post	2	
5	1670786	Cover, Front Left Post	2	
6	1670793	Cover, End Mid Rail	2	
7		Cover, Right End Top Options:	1	
	1670798	6ft/1.8m Platforms		
	1670796	8Ft/2.4m Platforms		
8		Cover, Left End Top Options:	1	
	1670797	6ft/1.8m Platforms		
	1670795	8Ft/2.4m Platforms		
9		Cover, Left End Mid Options:	1	
	1670799	6ft/1.8m Platforms		
	1670789	8Ft/2.4m Platforms		
10		Cover, Right End Mid Options:	1	
	1670801	6ft/1.8m Platforms		
	1670791	8Ft/2.4m Platforms		
11	0940038	Padding, Bumper	70ft/21.4m	
12	1670788	Cover, Gate	2	
13	3539719	Plate, Switch Strike	2	
14	0630462	Bolt, Carriage	8	
15	4761500	Lockwasher 5/16in	8	
16	4751800	Flatwasher 1/2in Regular	8	
17	3311501	Nut 5/16in-18NC	8	
18	4751500	Flatwasher 5/16in Regular	8	
19	4460049	Connector, Strain Relief	2	
20	3530072	Plug, Cap	4	
21	Not Used			

SECTION 4 PLATFORM

SECTION 4 PLATFORM

FIGURE 4-11. SOFT TOUCH SYSTEM INSTALLATION (OPTIONAL) (CONTINUED)

FIG & ITEM #	PART NUMBER	DESCRIPTION	QTY.	REV.
22	4360057	Switch, Limit	2	
23	0731005	Bolt #10-32NC x 5/8in	4	
24	4751000	Lockwasher #10	4	
25	0200550	Arm, Switch	2	
26	0641612	Bolt 3/8in-16NC x 1-1/2in	8	
27	4751600	Flatwasher 3/8in Regular	40	
28	3311605	Locknut 3/8in-16NC	8	
29	3010088	Link, Quick	16	
30	1260136	Chain	10ft/3m	
31	4360387	Switch, Push Button	1	
32	1702938	Decal - Soft Touch Override	1	
33	Not Used			
34	1320040	Clamp	4	
35	0641406	Bolt 1/4in-20NC x 3/4in	4	
36	4711400	Flatwasher 1/4in Thin	8	
37	3311405	Locknut 1/4in-20NC	4	
38		Cable Options:	16ft/4.9m	
	1060341	Cable, Electrical - 16/2 (Prior to SN 0300029105)		
	1060330	Cable, Electrical - 16/3 (SN 0300029105 to SN 0300063909)		
	1060341	Cable, Electrical - 16/2 (SN 0300063909 to SN 0300068000)		
39		Connector, Strain Relief Options:	1	
	4460428	Prior to SN 0300029105		
	4460425	SN 0300029105 to SN 0300068000		
40 to 99	Not Used			
100		Soft-Touch Add-On Kit Options (Includes required components to add option to existing machines) (Not Shown):	1	
		Note: May not be available for all machines depending on existing options. Contact JLG Parts Dept before ordering.	Ref	
	See Note	3ft x 6ft (.9m x 1.83m) Platform Prior to SN 0300067763 (Note: Not Available for Purchase.)		
	1001121592	3ft x 6ft (.9m x 1.83m) Platform SN 0300067763 to SN 0300069000		
	See Note	3ft x 8ft (.9m x 2.44m) Platform Prior to SN 0300067763 (Note: Not Available for Purchase.)		
	1001121593	3ft x 6ft (.9m x 2.44m) Platform SN 0300067763 to SN 0300069000		

SECTION 4 PLATFORM

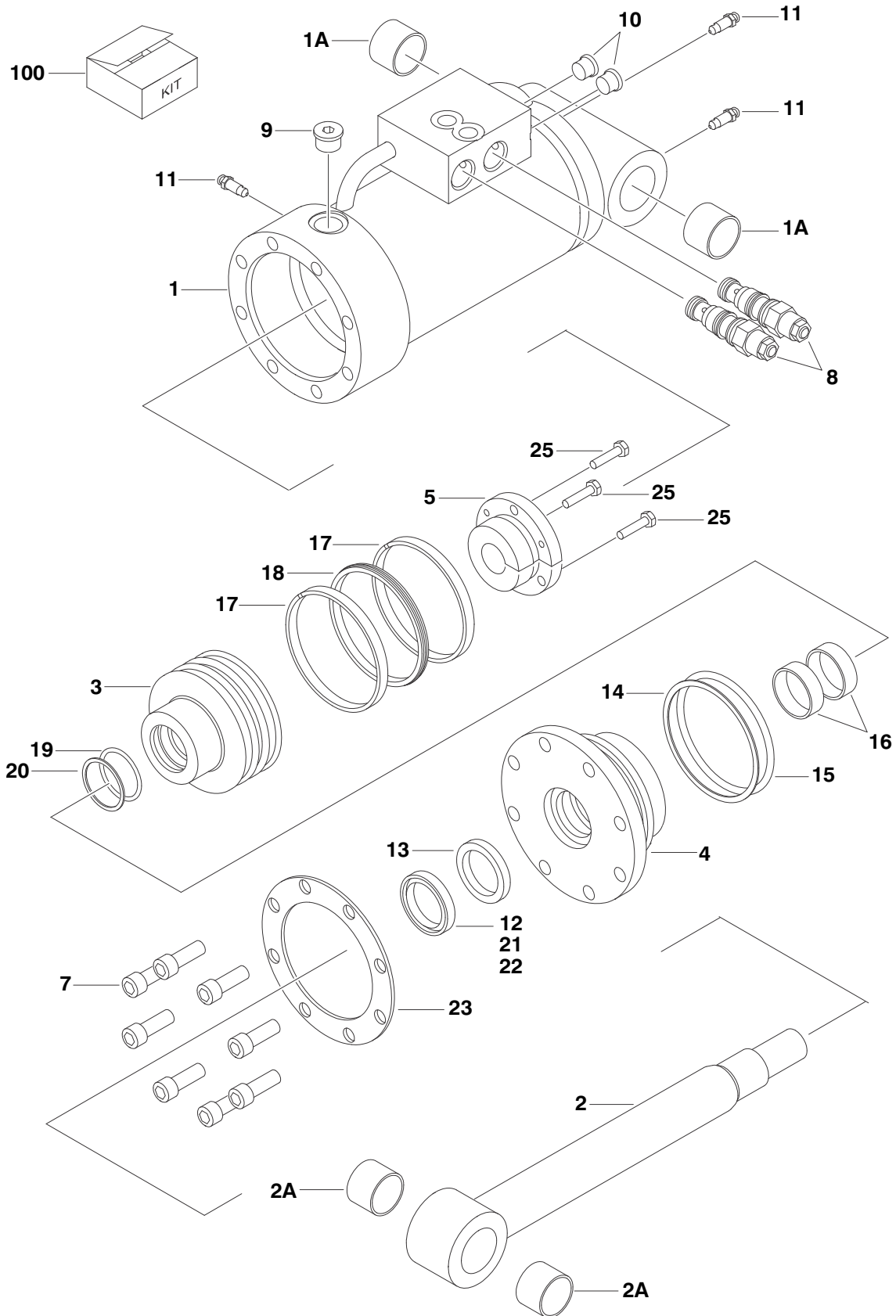
SECTION 5 CYLINDER

TABLE OF CONTENTS

FIGURE	DESCRIPTION	PAGE
5-1	AXLE LOCKOUT CYLINDER ASSEMBLY	5-2
5-2	PLATFORM LEVEL CYLINDER ASSEMBLY - 600S	5-4
5-3	PLATFORM LEVEL CYLINDER ASSEMBLIES - 600SJ & 660SJ	5-6
5-4	MAIN LIFT CYLINDER ASSEMBLY	5-8
5-5	ARTICULATING JIB LIFT CYLINDER ASSEMBLY - 600SJ & 660SJ	5-10
5-6	MASTER CYLINDER ASSEMBLIES	5-14
5-7	STEER CYLINDER ASSEMBLY	5-18
5-8	TELESCOPE CYLINDER ASSEMBLIES	5-20
5-9	CYLINDER BELLOWS INSTALLATION (OPTIONAL)	5-22

SECTION 5 CYLINDER

FIGURE 5-1. AXLE LOCKOUT CYLINDER ASSEMBLY



SECTION 5 CYLINDER

SECTION 5 CYLINDER

FIGURE 5-1. AXLE LOCKOUT CYLINDER ASSEMBLY

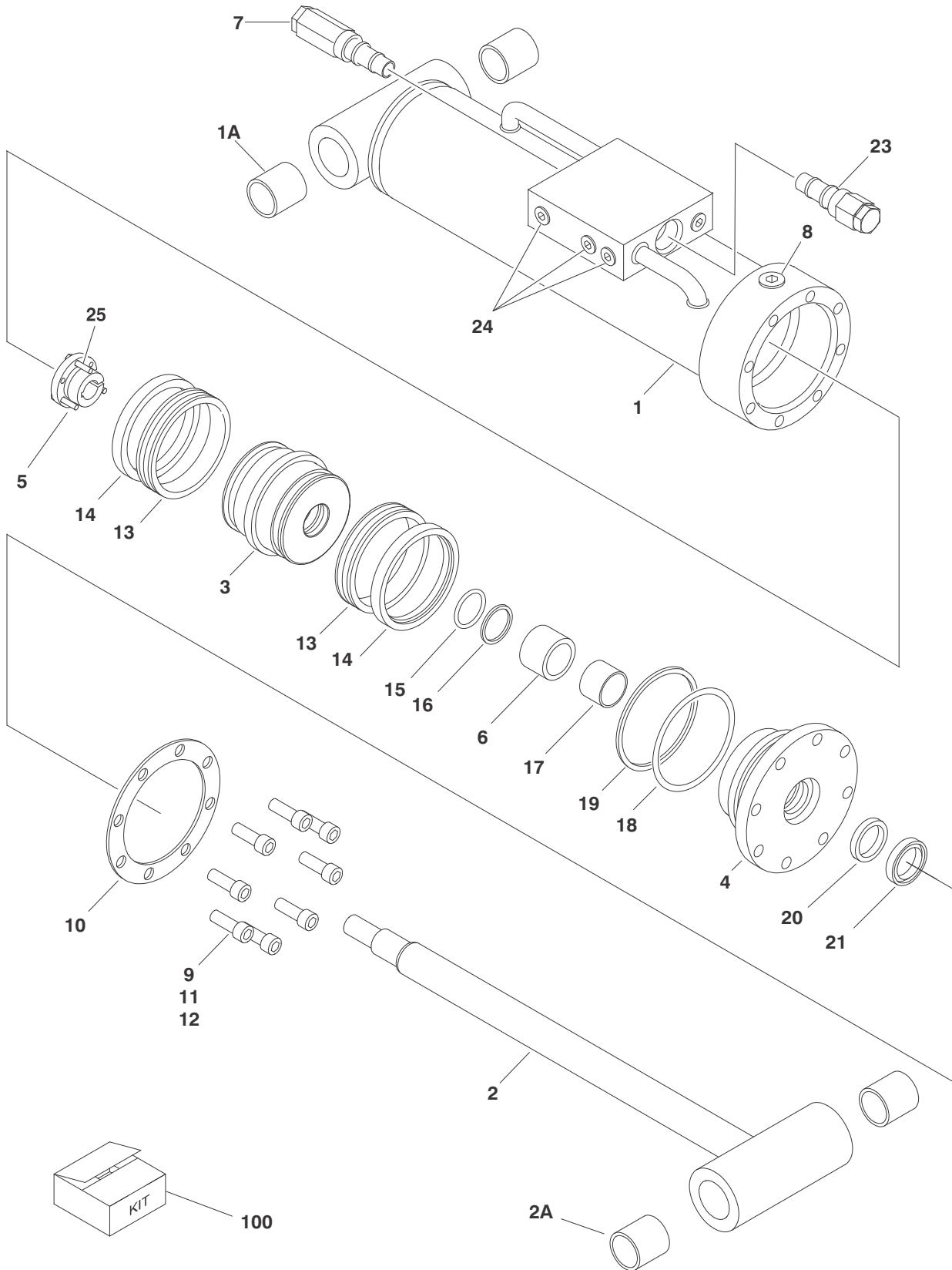
FIG & ITEM #	PART NUMBER	DESCRIPTION	QTY.	REV.
	1683078	AXLE LOCKOUT CYLINDER ASSEMBLY	Ref	G
1		Barrel Weldment Options:	1	
	Use 1684191	Prior to SN 0300056902 (was p/n 1683079)		
	Use 1684191	SN 0300056902 to SN 0300065398 (was p/n 1683987)		
	1684191	SN 0300065398 to SN 0300068000		
1A	0962496	Bushing (was p/n 0961816)	2	
2		Rod Weldment Options:	1	
	Use 1683986	Prior to SN 0300056902 (was p/n 1683081)		
	1683986	SN 0300056902 to SN 0300068000		
2A	0962496	Bushing (was p/n 0961816)	2	
3	3480176	Piston	1	
4	1683059	Head	1	
5	0961895	Bushing	1	
6	Not Used			
7	3931720	Bolt, Socket Head 7/16in-14NC x 1-1/4in	8	
8		Cartridge, Valve (Counterbalance) Options:	2	
	4640525	Prior to SN 0300056902		
	4641162	SN 0300056902 to SN 0300068000		
	2900770	Seal Kit - 4640525/4641162 Valve (1 Per Assembly)	2	
9	2220886	Plug, O-Ring	1	
10	2220885	Plug, O-Ring	2	
11	4640858	Valve, Bleeder	3	
12	Use 2901271	Wiper	1	
13	Use 2901271	Seal, Rod	1	
14	Use 2901271	O-Ring	1	
15	Use 2901271	Ring, Back-up	1	
16	Use 2901271	Ring, Wear	1	
17	Use 2901271	Ring, Wear	2	
18	Use 2901271	T-Seal	1	
19	Use 2901271	O-Ring	1	
20	Use 2901271	Ring, Back-up	2	
21	0100011	Compound, Locking	AR	
22	0100038	Primer, Locking	AR	
23	3760367	Ring, Washer	1	
24	Not Used			
25	0630535	Screw, Socket Head 1/4in-20NC x 1-1/8in	3	
100	2901271	----- Seal Kit - 1683078 Cylinder (Includes Items 12-20)	1	

SECTION 5 CYLINDER

SECTION 5 CYLINDER

FIGURE 5-2.PLATFORM LEVEL CYLINDER ASSEMBLY - 600S

SECTION 5
CYLINDER



SECTION 5 CYLINDER

FIGURE 5-2. PLATFORM LEVEL CYLINDER ASSEMBLY - 600S

FIG & ITEM #	PART NUMBER	DESCRIPTION	QTY.	REV.
		PLATFORM LEVEL CYLINDER ASSEMBLIES	Ref	
		OPTIONS:		
	1683271	Prior to SN 0300024714	Ref	1/A
	1683415	SN 0300024714 to SN 0300068000	Ref	C
1		Barrel Weldment Options:	1	
	1683272	Prior to SN 0300024714		
	1683416	SN 0300024714 to SN 0300053552		
	1683977	SN 0300053552 to SN 0300068000		
1A	0961947	Bushing, Garmax	2	
2		Rod Weldment Options:	1	
	1683274	Prior to SN 0300053552		
	1683976	SN 0300053552 to SN 0300068000		
2A	0961947	Bushing, Garmax	2	
3	3480210	Piston	1	
4	1683053	Head	1	
5	0961893	Bushing, Tapered	1	
6	4566468	Spacer	1	
7	4640509	Cartridge, Valve	1	
	2900792	Seal Kit - 4640509 Valve	1	
8	2220885	Plug, O-Ring	1	
9	3931516	Capscrew, Socket Head 5/16in-18NC x 1in	8	
10	3760368	Ring, Washer	1	
11	0100011	Compound, Locking	AR	
12	0100038	Primer, Locking	AR	
13	Use 2901303	Seal	2	
14	Use 2901303	Ring, Lock	2	
15	Use 2901303	O-Ring	1	
16	Use 2901303	Ring, Back-up	1	
17	Use 2901303	Ring, Wear	1	
18	Use 2901303	O-Ring	1	
19	Use 2901303	Ring, Back-up	1	
20	Use 2901303	Seal, Rod	1	
21	Use 2901303	Wiper	1	
22	Not Used			
23		Cartridge, Valve Options:	1	
	4640509	Prior to SN 0300024714		
	4640932	SN 0300024714 to SN 0300068000		
		Seal Kit Options:	1	
	2900792	4640509 Valve (Prior to SN 0300024714)		
	7011112	4640932 Valve (SN 0300024714 to SN 0300068000)		
24		Plug, O-Ring Options:	AR	
	2220885	Prior to SN 0300024714	4	
	2220883	SN 0300024714 to SN 0300068000	8	
25	0630534	Screw, Socket Head #10-24NC x 1in	3	

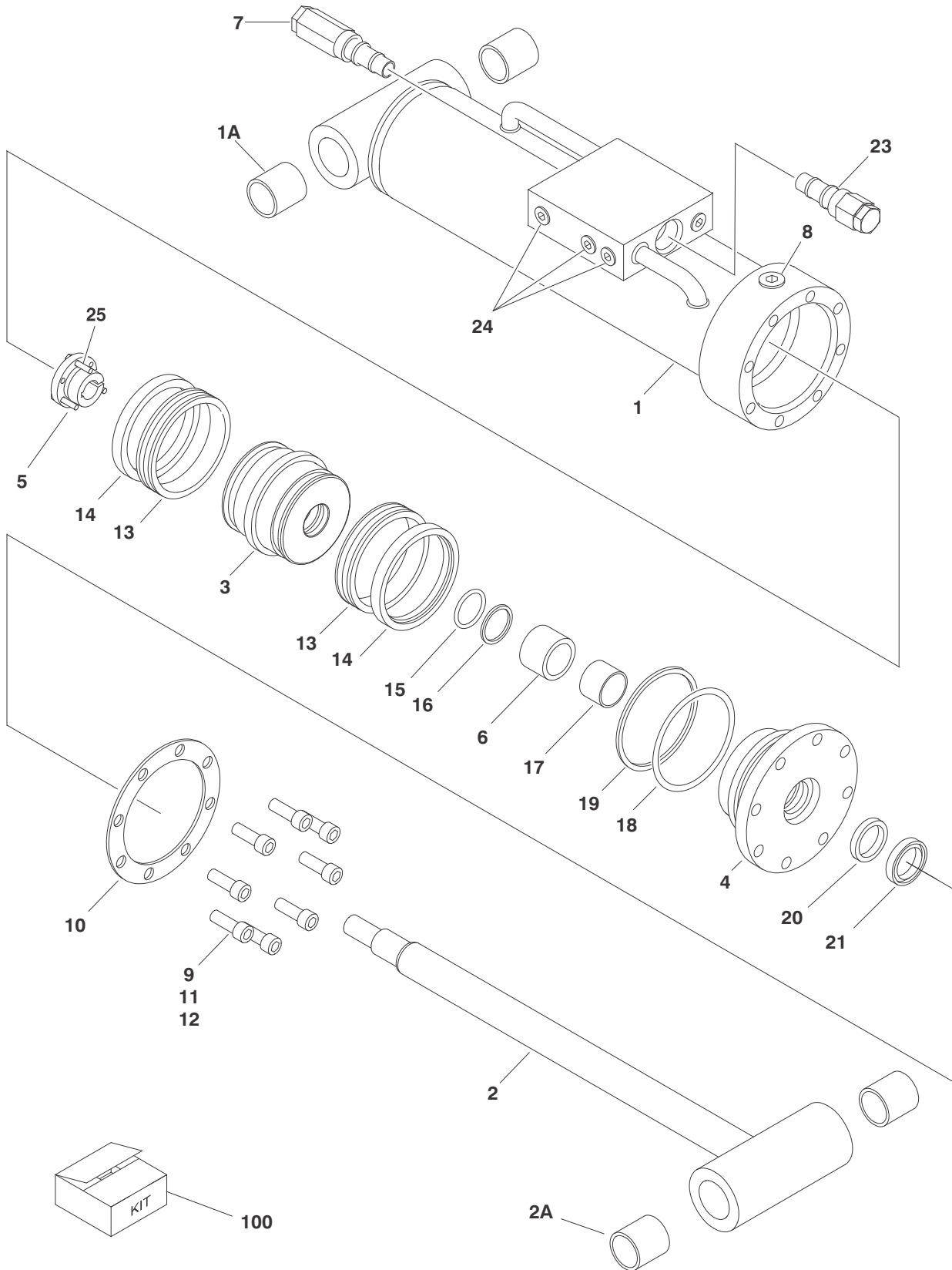
100	2901303	Seal Kit (Includes Items 13-21)	1	

SECTION 5 CYLINDER

SECTION 5 CYLINDER

FIGURE 5-3.PLATFORM LEVEL CYLINDER ASSEMBLIES - 600SJ & 660SJ

SECTION 5
CYLINDER



SECTION 5 CYLINDER

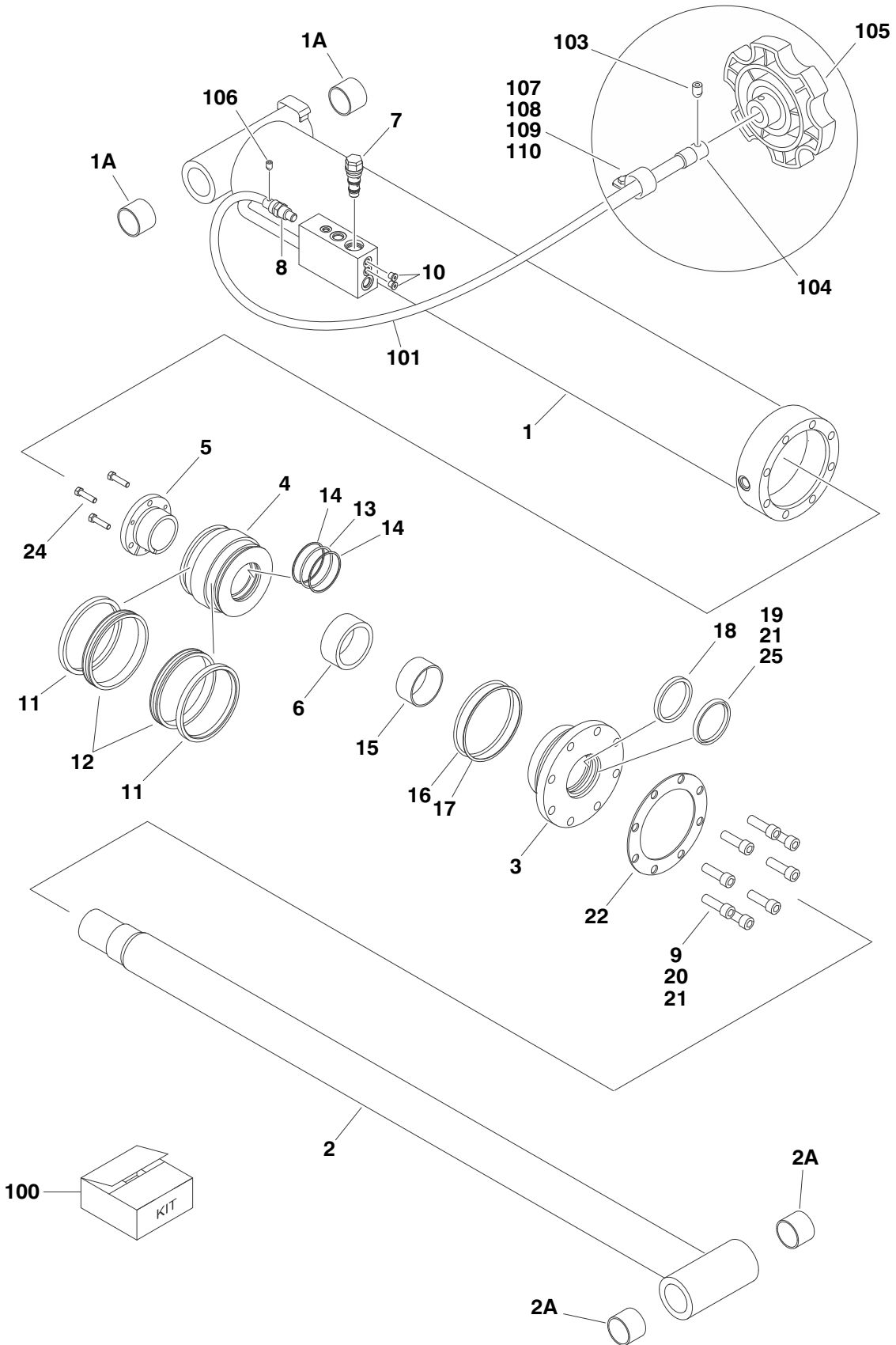
FIGURE 5-3. PLATFORM LEVEL CYLINDER ASSEMBLIES - 600SJ & 660SJ

FIG & ITEM #	PART NUMBER	DESCRIPTION	QTY.	REV.
		PLATFORM LEVEL CYLINDER ASSEMBLIES	Ref	
	1683253	Prior to SN 0300024714	Ref	1/B
	1683418	SN 0300024714 to SN 0300068000	Ref	D
1		Barrel Weldment Options:	1	
	1683254	Prior to SN0300024714 (Note: Includes Item 1A)		
	1683419	SN 0300024714 to SN 0300052687 (Note: Includes Item 1A)		
	1683952	SN 0300052687 to SN 0300068000 (Note: Item 1A not included - Purchase Separately)		
1A	0961951	Bushing, Composite	2	
2		Rod Weldment Options:	1	
	1683333	Prior to SN0300052687 (Note: Includes Item 2A)		
	1683963	SN 0300052687 to SN 0300068000 (Note: Item 2A not included - Purchase Separately)		
2A	0961951	Bushing, Composite	2	
3	3480188	Piston	1	
4	1683055	Head	1	
5	0961894	Bushing, Tapered	1	
6	4566468	Spacer	1	
7	4640509	Cartridge, Valve	1	
	2900792	Seal Kit - 4640509 Valve	1	
8	2220885	Plug, O-Ring	1	
9	3931620	Capscrew, Socket Head 3/8in-16NC x 1-1/4in	8	
10	3760369	Ring, Washer	1	
11	0100011	Compound, Locking	AR	
12	0100038	Primer, Locking	AR	
13	Use 2901301	Seal	2	
14	Use 2901301	Ring, Lock	2	
15	Use 2901301	O-Ring	1	
16	Use 2901301	Ring, Back-up	1	
17	Use 2901301	Ring, Wear	1	
18	Use 2901301	O-Ring	1	
19	Use 2901301	Ring, Back-up	1	
20	Use 2901301	Seal, Rod	1	
21	Use 2901301	Wiper	1	
22	Not Used			
23		Cartridge, Valve Options:	1	
	4640509	Prior to SN 0300024714		
	4640932	SN 0300024714 to SN 0300068000		
		Seal Kit Options:	1	
	2900792	4640509 Valve (Prior to SN 0300024714)		
	7011112	4640932 Valve (SN 0300024714 to SN 0300068000)		
24		Plug, O-Ring Options:	AR	
	2220885	Prior to SN 0300024714	4	
	2220883	SN 0300024714 to SN 0300068000	8	
25	0630535	Screw, Socket Head 1/4in-20NC x 1-1/8in	3	
100	2901301	Seal Kit (Includes Items 13-21)	1	

SECTION 5 CYLINDER

SECTION 5 CYLINDER

FIGURE 5-4.MAIN LIFT CYLINDER ASSEMBLY



SECTION 5 CYLINDER

SECTION 5 CYLINDER

FIGURE 5-4. MAIN LIFT CYLINDER ASSEMBLY

FIG & ITEM #	PART NUMBER	DESCRIPTION	QTY.	REV.
	1683275	MAIN LIFT CYLINDER ASSEMBLY	Ref	G
1	1683276 Use 1001112467	Barrel Weldment Options: Prior to SN 0300053547 SN 0300053547 to SN 0300068000 (was p/n 1683955)	1	
1A	0961950	Bushing, Composite	2	
2	1683278 1683954	Rod Weldment Options: Prior to SN 0300053547 SN 0300053547 to SN 0300068000	1	
2A	0961950	Bushing, Composite	2	
3	1683067	Head	1	
4	3480206	Piston	1	
5	0961898	Bushing, Tapered (Use item #24 in place of supplied bolts)	1	
6	4566501	Spacer, Tube	1	
7	4640509 2900792	Cartridge, Valve Seal Kit - 4640509 Valve	1 1	
8	4640799 7010545	Cartridge, Valve Seal Kit - 4640799 Valve	1 1	
9	3932032	Bolt, Socket Head 5/16in-11NC x 2in	8	
10	2220883	Plug, O-Ring	2	
11	Use 2901285	Ring, Lock	2	
12	Use 2901285	Seal, Hydrolock	2	
13	Use 2901285	O-Ring	1	
14	Use 2901285	Ring, Back-up	2	
15	Use 2901285	Ring, Wear	1	
16	Use 2901285	O-Ring	1	
17	Use 2901285	Ring, Back-up	1	
18	Use 2901285	Seal, Rod	1	
19	Use 2901285	Wiper	1	
20	0100011	Compound, Locking	AR	
21	0100038	Primer, Locking	AR	
22	3760372	Washer, Ring	1	
23	Not Used			
24	0630536	Screw, Socket Head 3/8in-16NC x 1-1/2in	3	
25	0100063	Loctite, RC 609	AR	
100	2901285	Seal Kit - 1683275 Cylinder (Includes Items 11-19)	1	
	0256212	MANUAL DESCENT INSTALLATION	Ref	3/B
101	1060617	Cable	1	
102	Not Used			
103	3900230	Setscrew #10-32NF x 3/8in	2	
104	0080220	Adapter	1	
105	2560144	Knob	1	
106	3950803	Setscrew #8-32NC x 3/8in	1	

SECTION 5 CYLINDER

SECTION 5 CYLINDER

FIGURE 5-4. MAIN LIFT CYLINDER ASSEMBLY (CONTINUED)

FIG & ITEM #	PART NUMBER	DESCRIPTION	QTY.	REV.
107	1320070	Clamp (SN 0300036657 to SN 0300068000)	1	
108	0641408	Bolt 1/4in-20NC x 1in (SN 0300036657 to SN 0300068000)	1	
109		Nut Options:	1	
	3311402	Nut, Jam 1/4in-20NC (SN 0300036657 to SN 0300043318)		
	3311405	Locknut 1/4in-20NC (SN 0300043318 to SN 0300068000)		
110	4751400	Flatwasher 1/4in Regular (SN 0300036657 to SN 0300068000)	2	

SECTION 5 CYLINDER

SECTION 5 CYLINDER

FIGURE 5-4. MAIN LIFT CYLINDER ASSEMBLY (CONTINUED)

FIG & ITEM #	PART NUMBER	DESCRIPTION	QTY.	REV.

**S
E
C
T
I
O
N

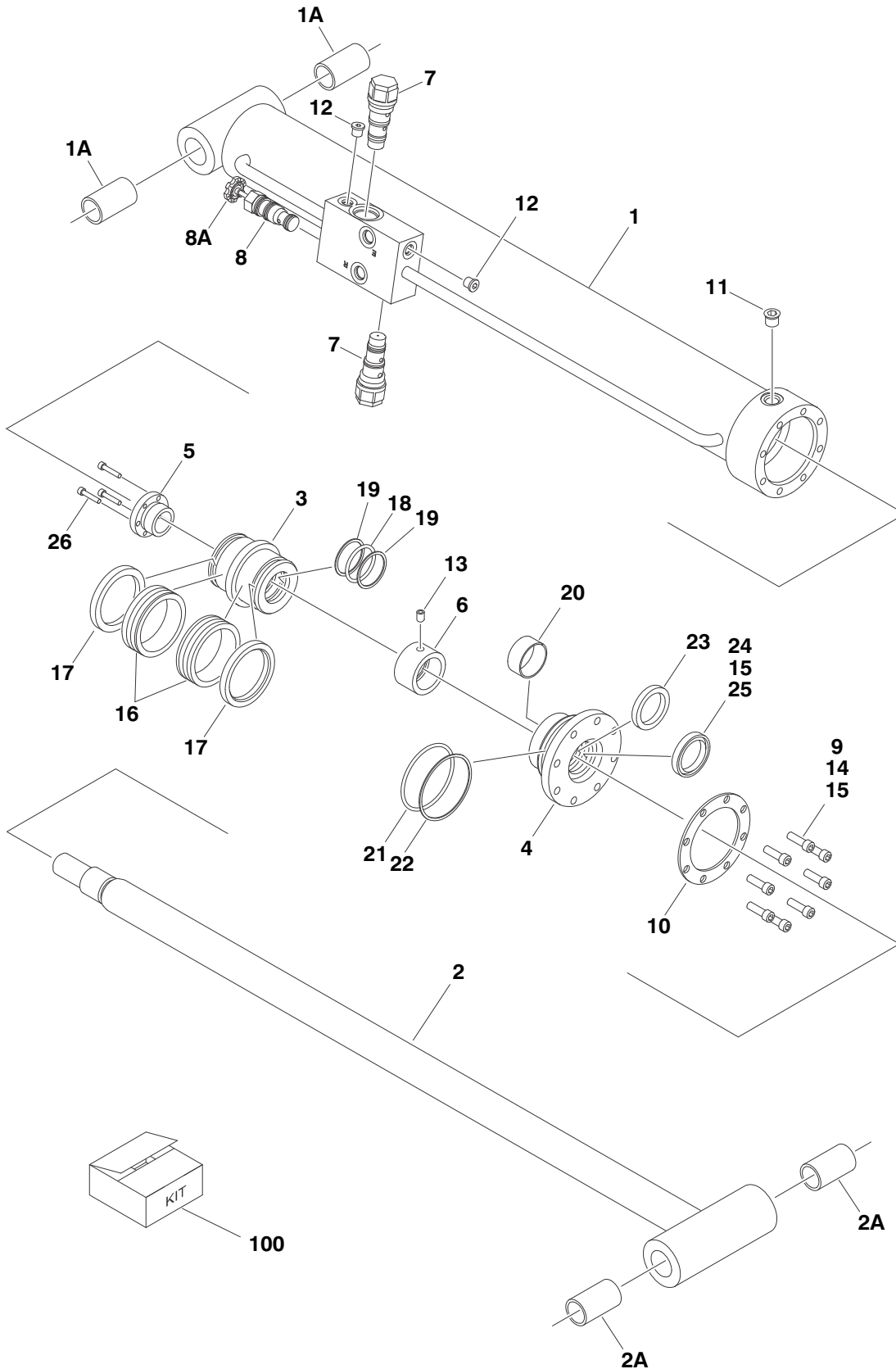
5

C
Y
L
I
N
D
E
R**

SECTION 5 CYLINDER

FIGURE 5-5.ARTICULATING JIB LIFT CYLINDER ASSEMBLY - 600SJ & 660SJ

SECTION 5
CYLINDER



SECTION 5 CYLINDER

FIGURE 5-5. ARTICULATING JIB LIFT CYLINDER ASSEMBLY - 600SJ & 660SJ

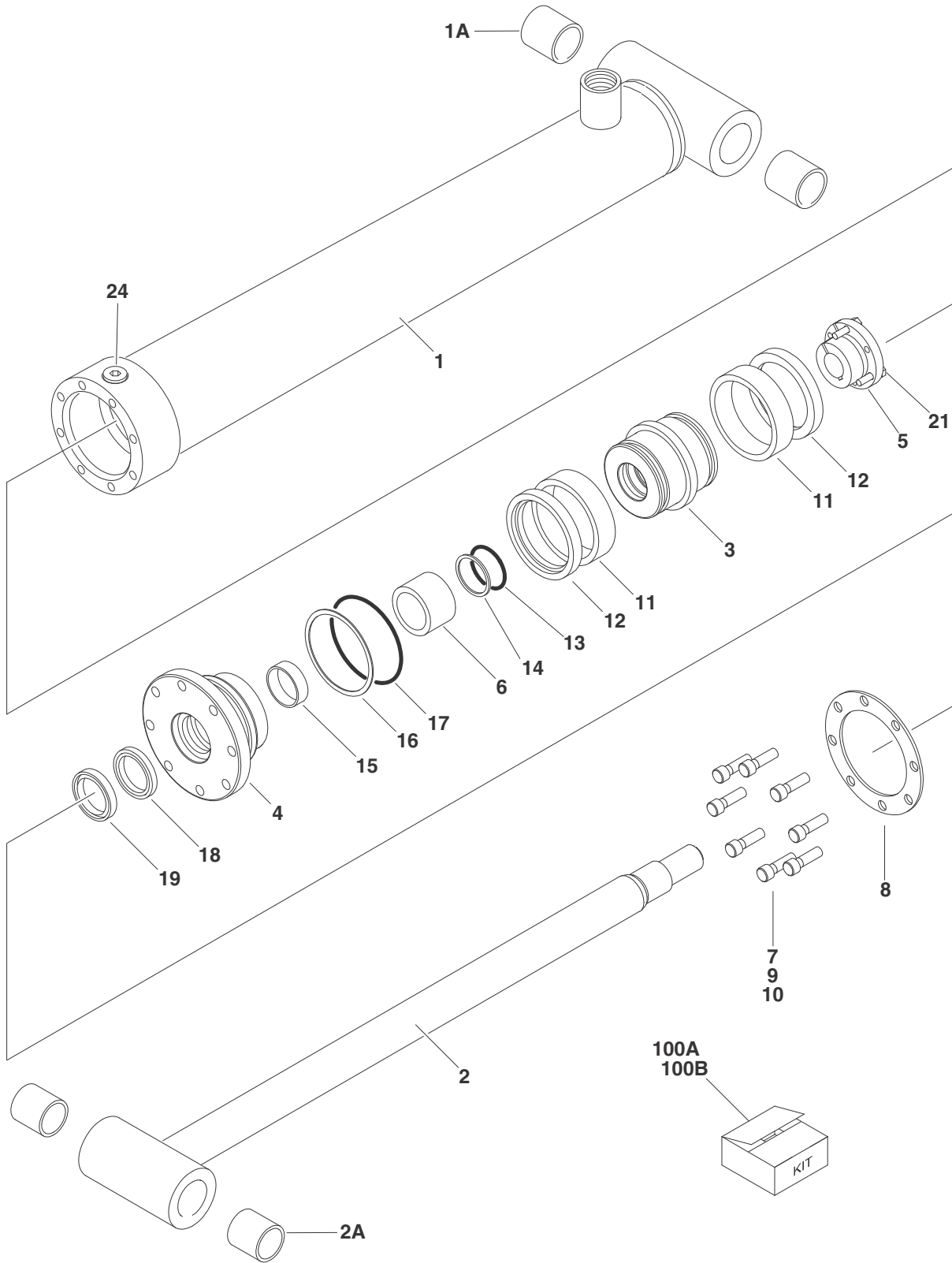
FIG & ITEM #	PART NUMBER	DESCRIPTION	QTY.	REV.
	1683258	ARTICULATING JIB LIFT CYLINDER ASSEMBLY	Ref	C
1		Barrel Weldment Options:	1	
	1683259	Prior to SN 0300053547		
	1684092	SN 0300053547 to SN 0300068000		
1A		Bushing Options:	2	
	0961947	Bushing, Garmax (Prior to SN 0300053995)		
	0962336	Bushing, Composite (SN 0300053995 to SN 0300068000)		
2		Rod Weldment Options:	1	
	1683261	Prior to SN 0300053547		
	1684090	SN 0300053547 to SN 0300068000		
2A		Bushing Options:	2	
	0961947	Bushing, Garmax (Prior to SN 0300053995)		
	0962336	Bushing, Composite (SN 0300053995 to SN 0300068000)		
3	3480210	Piston	1	
4	1683053	Head	1	
5	0961893	Bushing, Tapered	1	
6	4566471	Spacer	1	
7	4640509	Cartridge, Valve	2	
	2900792	Seal Kit - 4640509 Valve	2	
8	4640902	Cartridge, Valve	1	
	7012953	Seal Kit - 4640902 Valve	1	
8A	7012961	Knob	1	
9	3931516	Capscrew, Socket Head 5/16in-18NC x 1in	8	
10	3760368	Ring, Washer	1	
11	2220885	Plug, O-Ring #6	1	
12	2220883	Plug, O-Ring #4	2	
13	3900141	Setscrew 1/4in-20NC x 3/8in	1	
14	0100011	Compound, Locking	AR	
15	0100038	Primer, Locking	AR	
16	Use 2901303	Seal	2	
17	Use 2901303	Ring, Lock	2	
18	Use 2901303	O-Ring	1	
19	Use 2901303	Ring, Back-up	2	
20	Use 2901303	Ring, Wear	1	
21	Use 2901303	O-Ring	1	
22	Use 2901303	Ring, Back-up	1	
23	Use 2901303	Seal, Rod	1	
24	Use 2901303	Wiper	1	
25	Not Used			
26	0630534	Screw, Socket Head #10-24NC x 1in	3	
100	2901303	----- Seal Kit - 1683258 Cylinder (Includes Items 16-24)	1	

SECTION 5 CYLINDER

SECTION 5 CYLINDER

FIGURE 5-6.MASTER CYLINDER ASSEMBLIES

SECTION 5 CYLINDER



SECTION 5 CYLINDER

FIGURE 5-6. MASTER CYLINDER ASSEMBLIES

FIG & ITEM #	PART NUMBER	DESCRIPTION	QTY.	REV.
	1683266	MASTER CYLINDER ASSEMBLY - 600S	Ref	C
	1683263	MASTER CYLINDER ASSEMBLY - 600SJ/660SJ	Ref	E
1		Barrel Options:	1	
	1683267	600S (Prior to SN 0300053552) (Note: Includes Item 1A)		
	1683972	600S (SN 0300053552 to SN 0300068000) (Note: Includes Item 1A)		
	1683264	600SJ/660SJ (Prior to SN 0300052687) (Note: Includes Item 1A)		
	1683949	600SJ/660SJ (SN 0300052687 to SN 0300068000) (Note: Item 1A not included - Purchase Separately)		
1A		Bushing Options:	2	
	0961947	600S - Bushing		
	0961951	600SJ/660SJ - Bushing		
2		Rod Options:	1	
	1683269	600S (Prior to SN 0300053552) (Note: Includes Item 2A)		
	1683973	600S (SN 0300053552 to SN 0300068000) (Note: Includes Item 2A)		
	1683256	600SJ/660SJ (Prior to SN 0300052687) (Note: Includes Item 2A)		
	1683962	600SJ/660SJ (SN 0300052687 to SN 0300068000) (Note: Item 2A not included - Purchase Separately)		
2A		Bushing Options:	2	
	0961947	600S - Bushing		
	0961951	600SJ/660SJ - Bushing		
3		Piston Options:	1	
	3480210	600S		
	3480188	600SJ/660SJ		
4		Head Options:	1	
	1683053	600S		
	1683055	600SJ/660SJ		
5		Bushing, Tapered Options:	1	
	0961893	600S		
	0961894	600SJ/660SJ		
6	4566468	Spacer, Tube	1	
7		Capscrew Options:	8	
	3931516	600S - Capscrew 5/16in-18NC x 1in		
	3931620	600SJ/660SJ - Capscrew 3/8in-16NC x 1-1/4in		
8		Ring, Washer Options:	1	
	3760368	600S		
	3760369	600SJ/660SJ		
9	0100011	Compound, Locking	AR	
10	0100038	Primer, Locking	AR	
11	See Note	Seal (Note: Use Item 100A or 100B)	2	
12	See Note	Ring, Lock (Note: Use Item 100A or 100B)	2	
13	See Note	O-Ring (Note: Use Item 100A or 100B)	1	
14	See Note	Ring, Back-up (Note: Use Item 100A or 100B)	1	
15	See Note	Ring, Wear (Note: Use Item 100A or 100B)	1	
16	See Note	O-Ring (Note: Use Item 100A or 100B)	1	

SECTION 5 CYLINDER

SECTION 5 CYLINDER

FIGURE 5-6. MASTER CYLINDER ASSEMBLIES (CONTINUED)

FIG & ITEM #	PART NUMBER	DESCRIPTION	QTY.	REV.
17	See Note	Ring, Back-up (Note: Use Item 100A or 100B)	1	
18	See Note	Seal, Rod (Note: Use Item 100A or 100B)	1	
19	See Note	Wiper (Note: Use Item 100A or 100B)	1	
20	Not Used			
21		Screw Options:	3	
	0630534	600S - Screw, Socket Head #10-24NC x 1in		
	0630535	600SJ/660SJ - Screw, Socket Head 1/4in-20NC x 1-1/8in		
22 to 23	Not Used			
24	2220885	Fitting, Plug (600SJ/660SJ - 1683263 Cylinder Only)	1	

100		Seal Kit (Includes Items 11-19)	1	
100A	2901303	600S Seal Kit		
100B	2901301	600SJ/660SJ Seal Kit		

SECTION 5 CYLINDER

SECTION 5 CYLINDER

FIGURE 5-6. MASTER CYLINDER ASSEMBLIES (CONTINUED)

FIG & ITEM #	PART NUMBER	DESCRIPTION	QTY.	REV.

**S
E
C
T
I
O
N

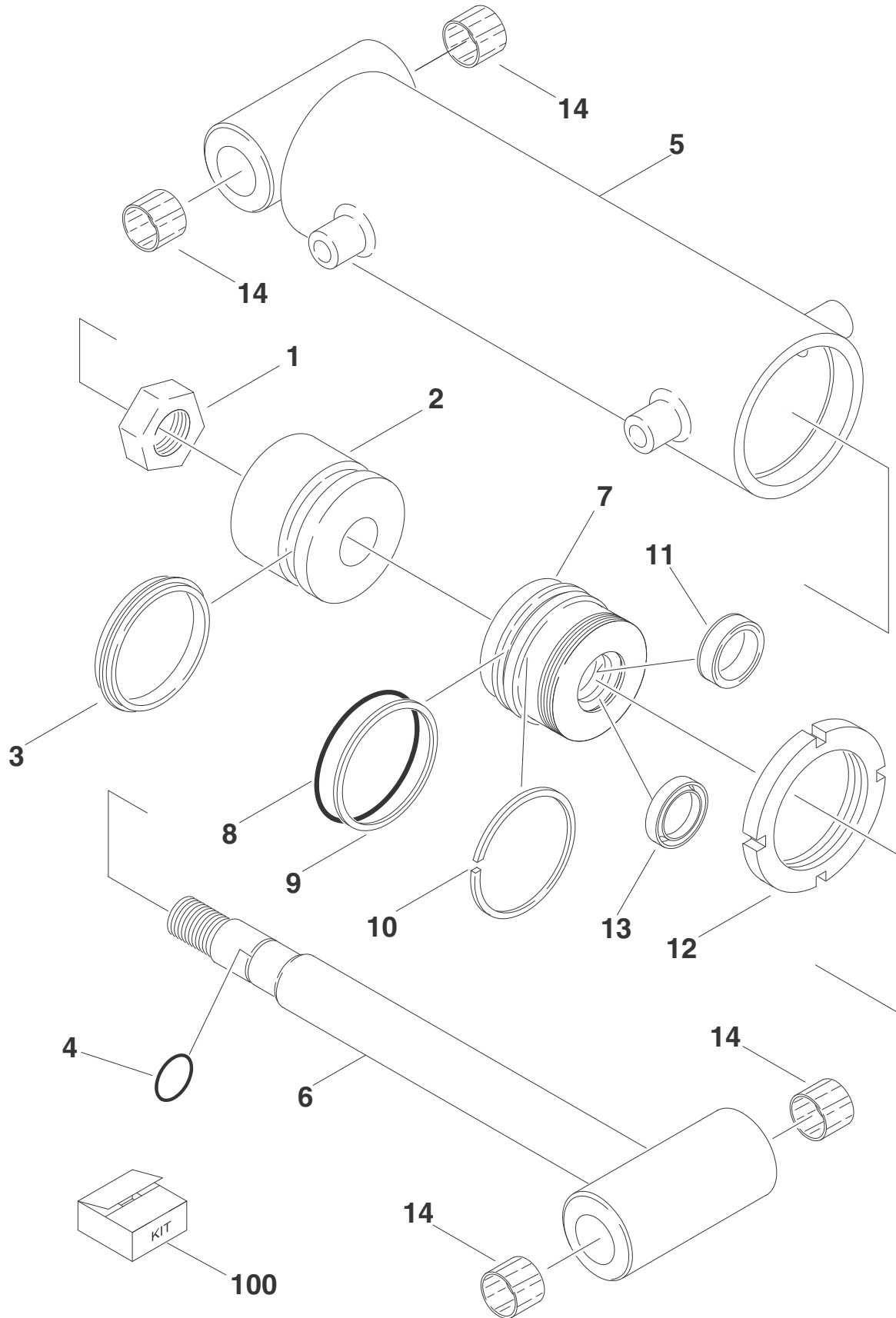
5

C
Y
L
I
N
D
E
R**

SECTION 5 CYLINDER

FIGURE 5-7. STEER CYLINDER ASSEMBLY

SECTION 5 CYLINDER



SECTION 5 CYLINDER

FIGURE 5-7. STEER CYLINDER ASSEMBLY

FIG & ITEM #	PART NUMBER	DESCRIPTION	QTY.	REV.
	1683208	STEER CYLINDER ASSEMBLY	Ref	C
1	7001626	Locknut	1	
2	7001627	Piston	1	
3	Use 7001625	Seal	1	
4	Use 7001625	O-Ring	1	
5	Use 1683208	Barrel Weldment (Note: Not Available - Purchase Complete Steer Cylinder Assembly.)	1	
6	7001633	Rod Weldment	1	
7	7001629	Head	1	
8	Use 7001625	O-Ring	1	
9	Use 7001625	Ring, Back-up	1	
10	Use 7001625	Ring, Retainer	1	
11	Use 7001625	Seal, Lip	1	
12	7001630	Nut, Spanner	1	
13	Use 7001625	Wiper	1	
14	0961977	Bushings	4	

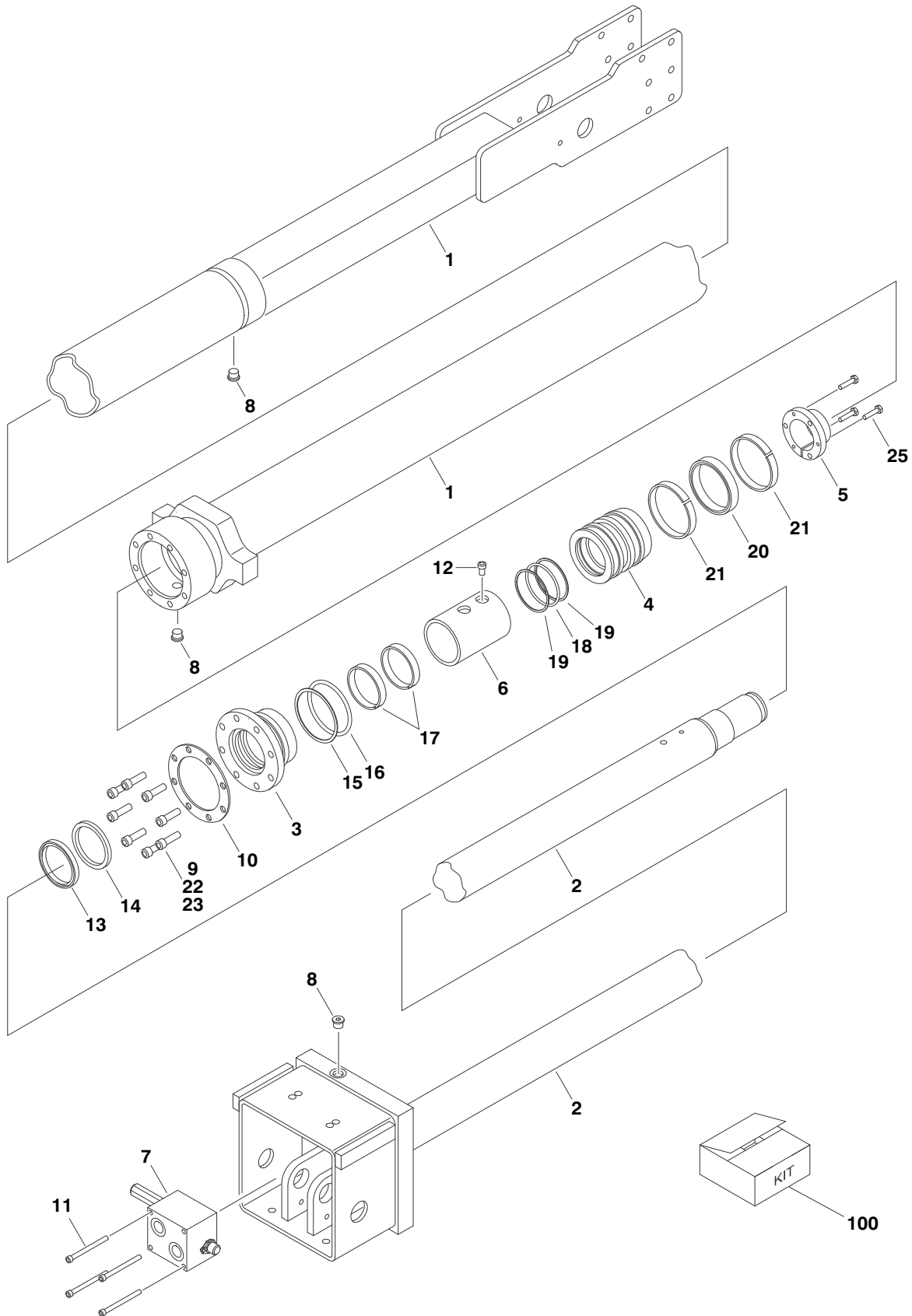
100	7001625	Seal Kit (Includes Items 3, 4, 8-11 & 13)	1	

SECTION 5 CYLINDER

SECTION 5 CYLINDER

FIGURE 5-8. TELESCOPE CYLINDER ASSEMBLIES

SECTION 5 CYLINDER



SECTION 5 CYLINDER

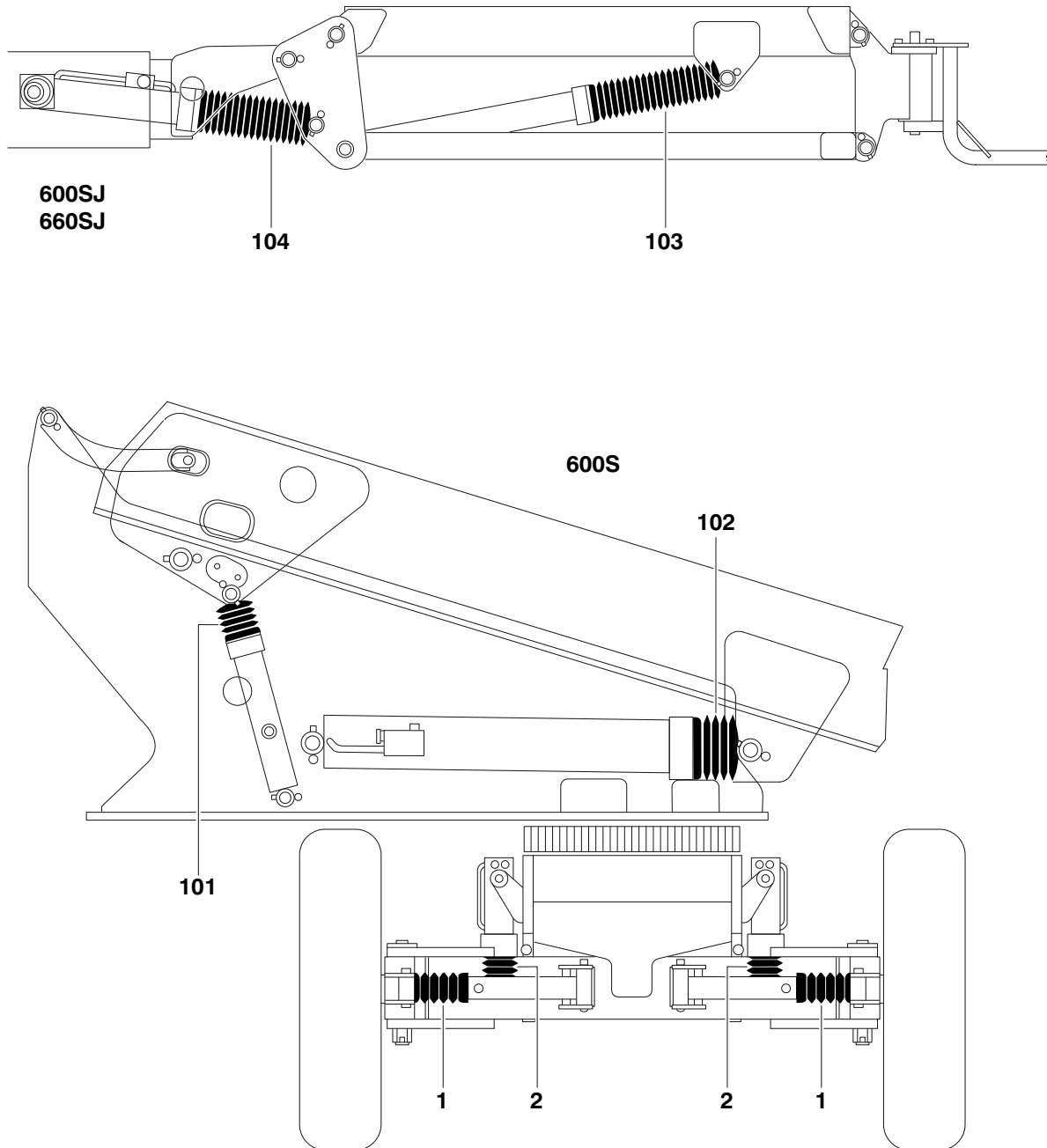
FIGURE 5-8. TELESCOPE CYLINDER ASSEMBLIES

FIG & ITEM #	PART NUMBER	DESCRIPTION	QTY.	REV.
		TELESCOPE CYLINDER ASSEMBLIES:	Ref	
	1683248	600S & 660SJ (Prior to SN 0300034517)	Ref	2/G
	1683618	600S & 660SJ (SN 0300034517 to SN 0300068000)	Ref	3/D
	1683357	600SJ (Prior to SN 0300034517)	Ref	1/C
	1683620	600SJ (SN 0300034517 to SN 0300068000)	Ref	2/C
1		Barrel Options:	1	
	1683249	600S & 660SJ (Prior to SN 0300034517)		
	1683619	600S & 660SJ (SN 0300034517 to SN 0300068000)		
	1683358	600SJ (Prior to SN 0300034517)		
	1683621	600SJ (SN 0300034517 to SN 0300068000)		
2		Rod Options:	1	
	1683250	600S & 660SJ		
	1683359	600SJ		
3	1683057	Head	1	
4	3480205	Piston	1	
5	0961897	Bushing, Tapered	1	
6	4566644	Spacer, Tube	1	
7		Valve Assembly Options: (No serviceable parts - sold as assembly only)	1	
	4640862	Prior to SN 0300034517		
	4641028	SN 0300034517 to SN 0300068000		
	7024397	O-Rings Between Valve Block & Cylinder	2	
8	2220885	Plug, O-Ring	6	
9	3931620	Capscrew 3/8in-16NC x 1-1/4in	8	
10	3760369	Ring, Washer	1	
11	3931448	Capscrew 1/4in-20NC x 3in	4	
12	3931508	Capscrew 5/16in-18NC x 1/2in	1	
13	Use 2901284	Wiper	1	
14	Use 2901284	Seal, Rod	1	
15	Use 2901284	O-Ring	1	
16	Use 2901284	Ring, Back-up	1	
17	Use 2901284	Ring, Wear	2	
18	Use 2901284	O-Ring	1	
19	Use 2901284	Ring, Back-up	2	
20	Use 2901284	T-Seal	1	
21	Use 2901284	Ring, Wear	2	
22	0100011	Compound, Locking	AR	
23	0100038	Primer, Locking	AR	
24	Not Used			
25	0630535	Bolt 1/4in-20NC x 1-1/8in	3	
100	2901284	----- Seal Kit (Includes Items 13-21)	1	

SECTION 5 CYLINDER

SECTION 5 CYLINDER

FIGURE 5-9. CYLINDER BELLOWS INSTALLATIONS (OPTIONAL)



SECTION 5 CYLINDER

SECTION 5 CYLINDER

FIGURE 5-9. CYLINDER BELLOWS INSTALLATIONS (OPTIONAL)

FIG & ITEM #	PART NUMBER	DESCRIPTION	QTY.	REV.
		BELLOWS INSTALLATION - FRAME	Ref	
	0255353	2WS With Oscillating Axle	Ref	
	0255354	2WS With Fixed Axle	Ref	
	0255355	4WS With Oscillating Axle	Ref	
	0255356	4WS With Fixed Axle	Ref	
1	0460150	Bellows, Cylinder (1 Per Steer Cylinder)	AR	
2	0460158	Bellows, Cylinder (1 Per Lockout Cylinder)	AR	
	0255929	BELLOWS INSTALLATION - BOOM (600S)	Ref	
101	0460152	Bellows, Cylinder (Master Cylinder)	1	
102	0460153	Bellows, Cylinder (Lift Cylinder)	1	
103	Not Required			
104	0460152	Bellows, Cylinder (Platform Level Cylinder)	1	
	0255930	BELLOWS INSTALLATION - BOOM (600SJ & 660SJ)	Ref	
101	0460151	Bellows, Cylinder (Master Cylinder)	1	
102	0460153	Bellows, Cylinder (Lift Cylinder)	1	
103	0460161	Bellows, Cylinder (Articulating Jib Lift Cylinder)		
104	0460160	Bellows, Cylinder (Platform Level Cylinder)	1	

SECTION 5 CYLINDER

SECTION 5 CYLINDER

FIGURE 5-9. CYLINDER BELLOWS INSTALLATIONS (OPTIONAL) (CONTINUED)

FIG & ITEM #	PART NUMBER	DESCRIPTION	QTY.	REV.

**S
E
C
T
I
O
N

5

C
Y
L
I
N
D
E
R**

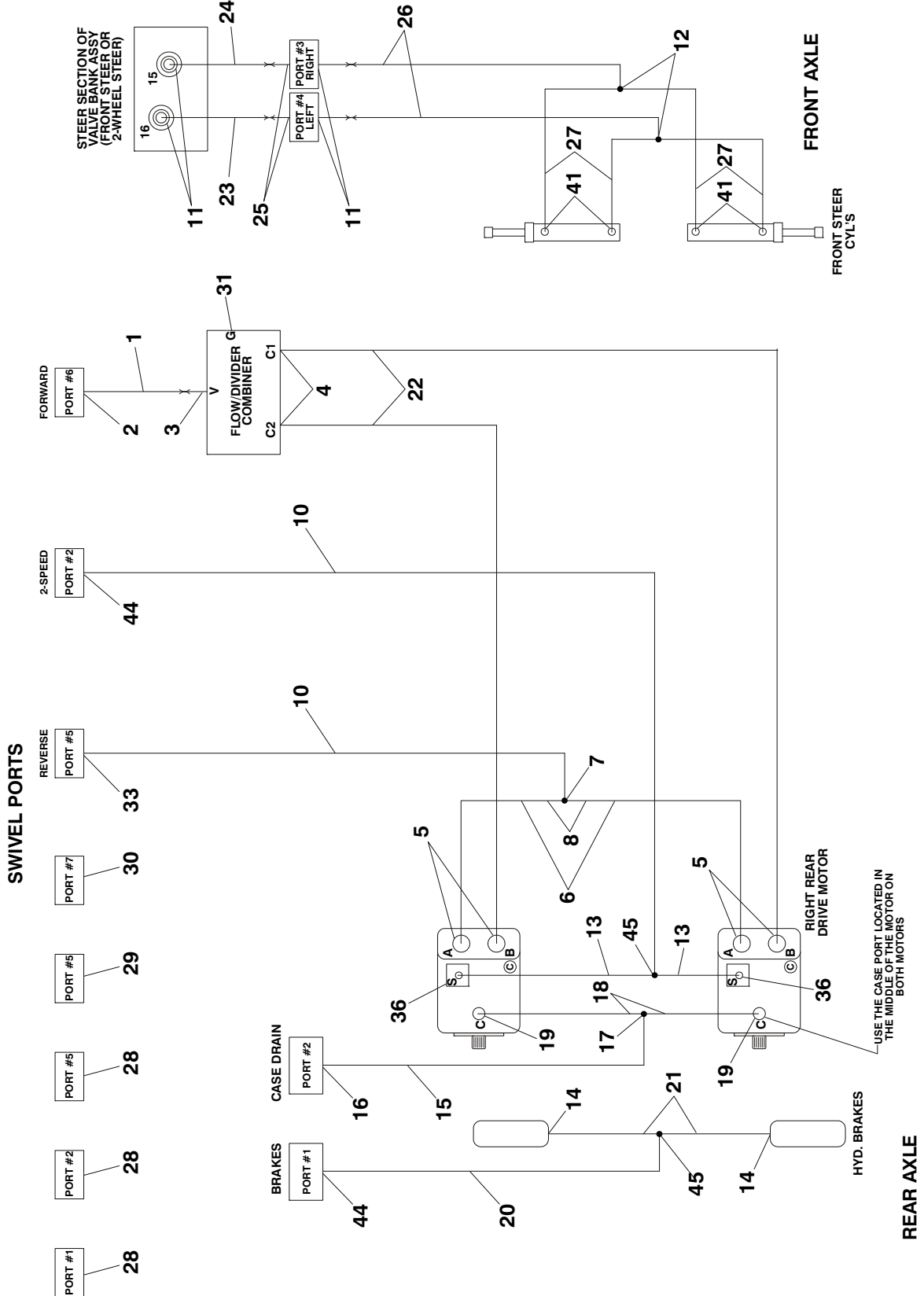
SECTION 6 HYDRAULIC

TABLE OF CONTENTS

FIGURE	DESCRIPTION	PAGE
6-1	HYDRAULIC DIAGRAM - DRIVE & STEER (2WD/2WS)	6-2
6-2	HYDRAULIC DIAGRAM - DRIVE & STEER (4WD/2WS)	6-4
6-3	HYDRAULIC DIAGRAM - OSCILLATING AXLE	6-8
6-4	HYDRAULIC DIAGRAM - STANDARD	6-10
6-5	HYDRAULIC DIAGRAM LIST	6-14

SECTION 6 HYDRAULIC

FIGURE 6-1. HYDRAULIC DIAGRAM - DRIVE & STEER (2WD/2WS)



C-FLUID 6 HYDRA 6 NO-TCHES

SECTION 6 HYDRAULIC

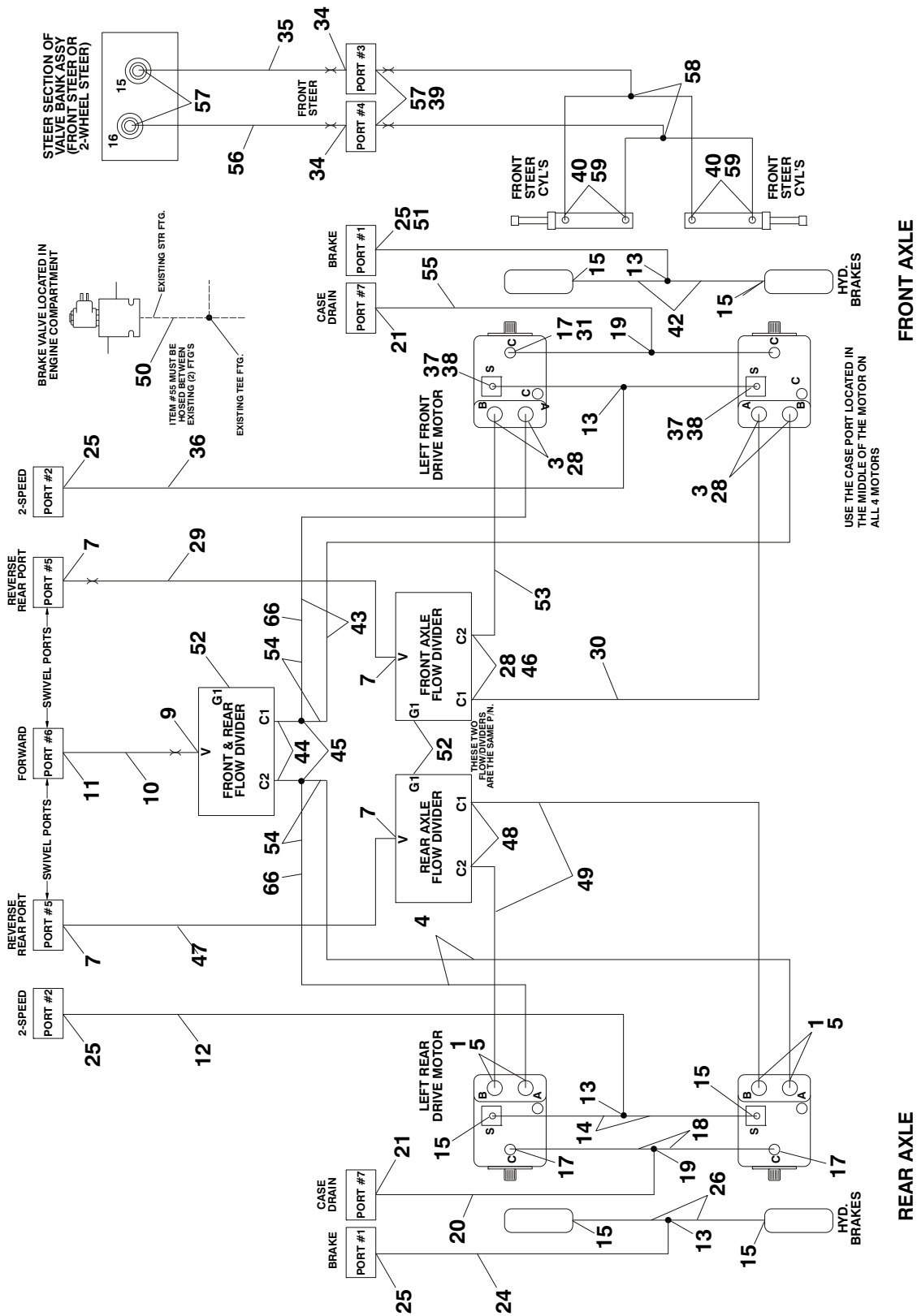
FIGURE 6-1. HYDRAULIC DIAGRAM - DRIVE & STEER (2WD/2WS)

FIG & ITEM #	PART NUMBER	DESCRIPTION	QTY.	REV.
	2792184	HYDRAULIC DIAGRAM - DRIVE & STEER (2WD/2WS)	Ref	3
1	2752322	Hose	1	
2	2220646	Fitting, 90	1	
3	2220377	Fitting, Straight	2	
4	2220568	Fitting, 45	2	
5	2220465	Fitting, Straight	4	
6	2752245	Hose	2	
7	2220363	Fitting, Tee	1	
8	2220710	Fitting, Reducer	2	
9	2752345	Hose	1	
10	2751016	Hose	1	
11	2220371	Fitting, Straight	4	
12	2220490	Fitting, Tee	2	
13	2751013	Hose	2	
14	2220466	Fitting, 90	1	
15	2752812	Hose	1	
16	2220375	Fitting, Straight	1	
17	2220362	Fitting, Tee	1	
18	2752807	Hose	2	
19	2220671	Fitting, 90	2	
20	2752584	Hose	1	
21	2752592	Hose	2	
22	2752258	Hose	2	
23	2752632	Hose	1	
24	2752478	Hose	1	
25	2220473	Fitting, 90	2	
26	2752462	Hose	2	
27	2752963	Hose	4	
28	2220237	Fitting, O-Ring Plug	3	
29	2220242	Fitting, O-Ring Plug	1	
30	2220240	Fitting, O-Ring Plug	1	
31	2220235	Fitting, O-Ring Plug	1	
32	Not Used			
33	2220365	Fitting, 45	1	
34 to 35	Not Used			
36	2220502	Fitting, 45	2	
37 to 40	Not Used			
41	2220473	Fitting, 90	4	
42 to 43	Not Used			
44	2220582	Fitting, Straight	2	
45	2220504	Fitting, Tee	2	

SECTION 6 HYDRAULIC

SECTION 6 HYDRAULIC

FIGURE 6-2.HYDRAULIC DIAGRAM - DRIVE & STEER (4WD/2WS)



C-FLUID 6 NO-TCS

SECTION 6 HYDRAULIC

FIGURE 6-2. HYDRAULIC DIAGRAM - DRIVE & STEER (4WD/2WS)

FIG & ITEM #	PART NUMBER	DESCRIPTION	QTY.	REV.
	2792186	DRIVE HYDRAULIC DIAGRAM - 4WD/2WS	Ref	8
1	2220465	Fitting, 90	4	
2	Not Used			
3	2220500	Fitting, 45	4	
4	2752398	Hose	2	
5	2220622	Fitting, Reducer	4	
6	Not Used			
7	2220435	Fitting, Straight	4	
8	Not Used			
9	2220377	Fitting, Straight	1	
10	2752322	Hose	1	
11	2220646	Fitting, 90	1	
12	2751016	Hose	1	
13	2220504	Fitting, Tee	4	
14	2751013	Hose	2	
15	2220466	Fitting, 90	6	
16	Not Used			
17	2220671	Fitting, 90	4	
18	2752807	Hose	2	
19	2220362	Fitting, Tee	2	
20	2752812	Hose	1	
21	2220375	Fitting, Straight	2	
22 to 23	Not Used			
24	2752584	Hose	1	
25	2220582	Fitting, Straight	4	
26	2752592	Hose	2	
27	Not Used			
28	2220833	Fitting, Reducer	6	
29	2752256	Hose	1	
30	2752888	Hose	1	
31	2752898	Hose	2	
32 to 33	Not Used			
34	2220472	Fitting, 90	2	
35	2752478	Hose	1	
36	2751021	Hose	1	
37	2752918	Hose	2	
38	2220502	Fitting, 45	2	
39	2752462	Hose	2	
40	2752963	Hose	4	
41	Not Used			
42	2752909	Hose	2	
43	2752889	Hose	2	
44	2220550	Fitting, Reducer	2	
45	2220738	Fitting, Tee	2	
46	2220596	Fitting, 90	2	
47	2752249	Hose	1	

SECTION 6 HYDRAULIC

SECTION 6 HYDRAULIC

FIGURE 6-2. HYDRAULIC DIAGRAM - DRIVE & STEER (4WD/2WS) (CONTINUED)

FIG & ITEM #	PART NUMBER	DESCRIPTION	QTY.	REV.
48	2220800	Fitting, Straight	2	
49	2752389	Hose	2	
50	2220914	Orifice (.043)	1	
51	2752443	Hose	1	
52	2220235	Plug #4	3	
53	2752893	Hose	1	
54	2220622	Fitting, Reducer	4	
55	2752810	Hose	1	
56	2752632	Hose	1	
57	2220582	Fitting, Straight	4	
58	2220363	Fitting, Tee	1	
59	2220472	Fitting, 90	2	
60 to 65	Not Required			
66	2220386	Fitting, 90	2	

SECTION 6 HYDRAULIC

SECTION 6 HYDRAULIC

FIGURE 6-2. HYDRAULIC DIAGRAM - DRIVE & STEER (4WD/2WS) (CONTINUED)

FIG & ITEM #	PART NUMBER	DESCRIPTION	QTY.	REV.

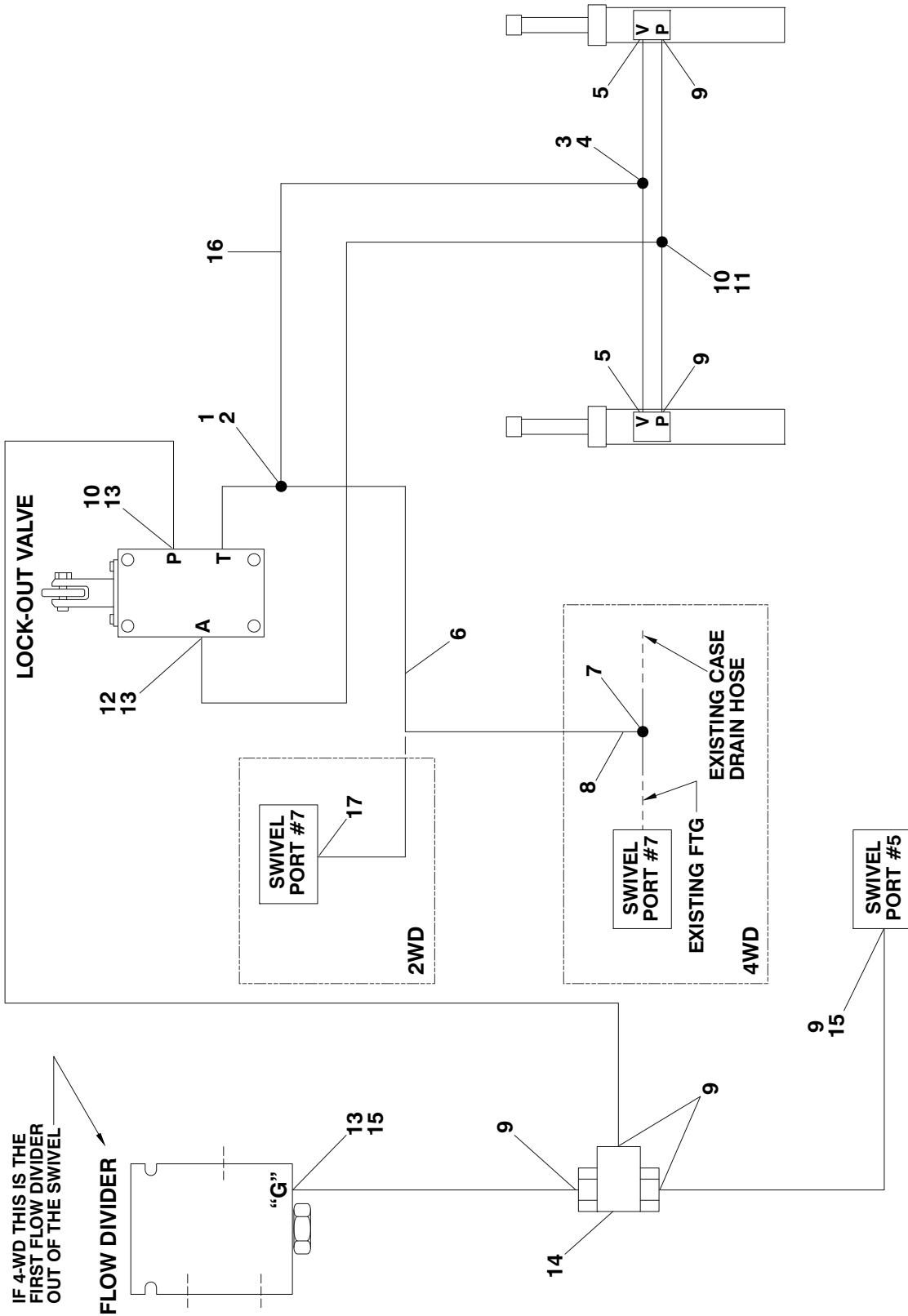
**S
E
C
T
I
O
N

6

H
Y
D
R
A
U
L
I
C**

SECTION 6 HYDRAULIC

FIGURE 6-3. HYDRAULIC DIAGRAM - OSCILLATING AXLE



SECTION 6 HYDRAULIC

SECTION 6 HYDRAULIC

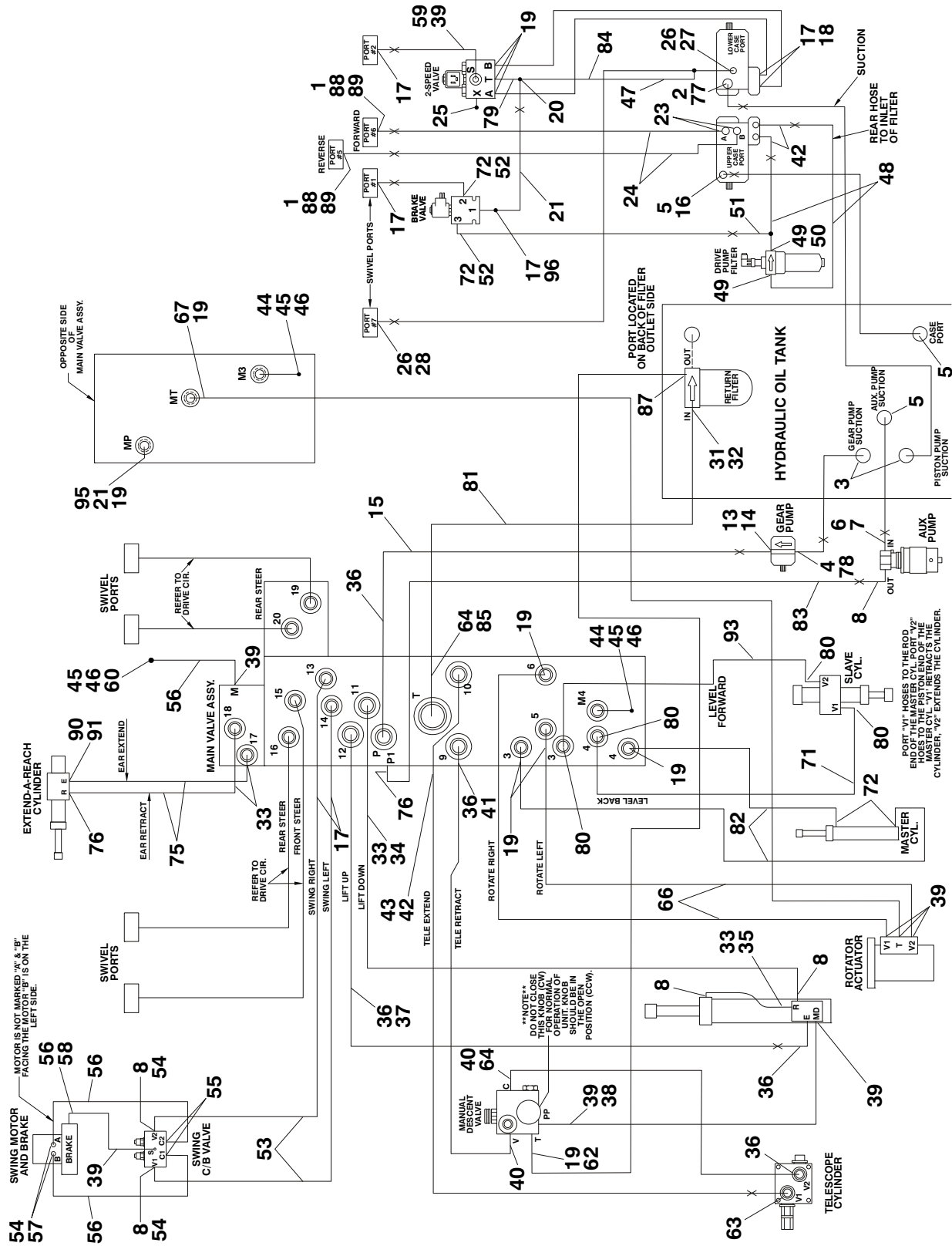
FIGURE 6-3. HYDRAULIC DIAGRAM - OSCILLATING AXLE

FIG & ITEM #	PART NUMBER	DESCRIPTION	QTY.	REV.
	2792204	AXLE LOCKOUT HYDRAULIC DIAGRAM - OSCILLATING AXLE	Ref	3
1	2220603	Fitting, Straight	1	
2	2220635	Fitting, Tee	1	
3	2752822	Hose	2	
4	2220490	Fitting, Tee	1	
5	2220371	Fitting, Straight	2	
6	2752823	Hose	1	
7	2220385	Fitting, Tee	1	
8	2220619	Fitting, Reducer	1	
9	2220582	Fitting, Straight	6	
10	2751397	Hose	3	
11	2220504	Fitting, Tee	1	
12	2751015	Hose	1	
13	2220415	Fitting, Straight	3	
14	4640939	Valve, Shuttle	1	
15	2751020	Hose	2	
16	2752824	Hose	1	
17	2220577	Fitting, Straight	1	

SECTION 6 HYDRAULIC

SECTION 6 HYDRAULIC

FIGURE 6-4. HYDRAULIC DIAGRAM - STANDARD



1282380 - REV. U

SECTION 6 HYDRAULIC

FIGURE 6-4. HYDRAULIC DIAGRAM - STANDARD

FIG & ITEM #	PART NUMBER	DESCRIPTION	QTY.	REV.
		STANDARD HYDRAULIC DIAGRAM	Ref	
	2792179	600S	Ref	17
	2792181	600SJ	Ref	16
	2792180	660SJ	Ref	18
1	2220377	Fitting, Straight	2	
2	2752752	Hose	1	
3	2220380	Fitting, Straight	2	
4	2220376	Fitting, Straight	1	
5	2220578	Fitting, 90	3	
6	2752653	Hose	1	
7	2220408	Fitting, Straight	1	
8	2220628	Fitting, 90	5	
9 to 12	Not Used			
13	2220810	Fitting, Reducer	1	
14	4640744	Fitting, Check Valve	1	
15	2752504	Hose	1	
16	2752654	Hose	1	
17	2220582	Fitting, Straight	7	
18	2751427	Hose	2	
19	2220415	Fitting, Straight	9	
20	2220605	Fitting, Tee	1	
21	2752573	Hose	1	
22	2752594	Hose	1	
23	2220646	Fitting, 90	2	
24	2752340	Hose	2	
25	2220235	Fitting, Plug	1	
26	2220375	Fitting, Straight	2	
27	2220385	Fitting, Tee	1	
28	2752514	Hose	1	
29 to 30	Not Used			
31	2220921	Fitting, Reducer	1	
32	2220498	Fitting, 45	1	
33	2220372	Fitting, Straight	AR	
34	2752631	Hose	1	
35	2752632	Hose	1	
36	2220373	Fitting, Straight	5	
37	2752515	Hose	1	
38	2752587	Hose	1	
39	2220466	Fitting, 90	AR	
40	2220596	Fitting, 90	2	
41	2752516	Hose	1	
42	2220947	Fitting, Straight	3	
43	2752762	Hose	1	
44	2220873	Fitting, Straight Nipple	AR	
45	2220428	Fitting, Quick Coupling	AR	
46	2220429	Fitting, Dust Cap	AR	

SECTION 6 HYDRAULIC

SECTION 6 HYDRAULIC

FIGURE 6-4. HYDRAULIC DIAGRAM - STANDARD (CONTINUED)

FIG & ITEM #	PART NUMBER	DESCRIPTION	QTY.	REV.
47	2220618	Fitting, Reducer	1	
48	2752763	Hose	2	
49	2220906	Fitting, 90	2	
50	2220948	Fitting, Tee	1	
51	2220618	Fitting, Reducer	1	
52	2752580	Hose	1	
53	2752588	Hose	2	
54	2220609	Fitting, Reducer	4	
55	2220468	Fitting, Straight	2	
56		Hose Options:	AR	
	2752444	Prior to SN 0300037634		
	2752981	SN 0300037634 to SN 0300068000		
57	2220497	Fitting, Straight	2	
58	2220502	Fitting, 45	1	
59	2751396	Hose	1	
60		Fitting, Straight Options:	AR	
	2220414	600S/660SJ		
	2220414	600SJ (Prior to SN 0300058648)		
	Not Required	600SJ (SN 0300058648 to SN 0300068000)		
61	2752433	Hose	1	
62	2220462	Fitting, 90	1	
63	2220950	Fitting, 45	1	
64	2752517	Hose	1	
65	2220974	Fitting, Long Straight	1	
66		Hose Options:	2	
	2752598	600S & 600SJ		
	2752596	660SJ		
67		Hose Options:	1	
	2752599	600S & 600SJ		
	2752597	660SJ		
68 to 70	Not Used			
71		Hose Options:	AR	
	2752633	600S & 660SJ		
	2751868	600SJ		
72	2220472	Fitting, 90	4	
73 to 74	Not Used			
75		Hose Options:	2	
	2752633	660SJ		
	2753048	600SJ		
76	2220473	Fitting, 90	AR	
77	2220479	Fitting, Straight	1	
78	2752753	Hose	1	
79	2220909	Fitting, Restrictor	1	
80	2220603	Fitting, Straight	4	
81	2752783	Hose	1	
82	2752591	Hose	2	
83	2752643	Hose	1	
84	2752981	Hose	1	

SECTION 6 HYDRAULIC

SECTION 6 HYDRAULIC

FIGURE 6-4. HYDRAULIC DIAGRAM - STANDARD (CONTINUED)

FIG & ITEM #	PART NUMBER	DESCRIPTION	QTY.	REV.
85	2220409	Fitting, 45	1	
86	Not Used			
87	2220574	Fitting, Straight	1	
88	0100011	Compound, Locking	AR	
89	0100038	Loctite, Primer	AR	
90	2180724	Fitting, 90 (600SJ & 660SJ Only)	1	
91	2180380	Fitting, Pipe Plug (600SJ & 660SJ Only)	1	
92	1703533	Decal - Hose Tags (Not Shown)	1	
93	2753083	Hose (600SJ & 660SJ Only)	1	
94	4240018	Tie-Strap (Not Shown)	7	
95	2220873	Fitting, Nipple (SN 0300058648 to SN 0300068000)	1	
96	2220914	Fitting, Restrictor (SN 0300061073 to SN 0300068000)	1	

SECTION 6 HYDRAULIC

SECTION 6 HYDRAULIC

FIGURE 6-5. HYDRAULIC DIAGRAM LIST

		Note: Diagrams with asterisk (*) are shown in the preceding pages. Information on diagrams not shown is available from JLG service/parts departments.	Ref
		Drive & Steer Hydraulic Diagrams:	Ref
	2792184*	2WD/2WS Machines	Ref
	2792185	2WD/4WS Machines	Ref
	2792186*	4WD/2WS Machines	Ref
	2792187	4WD/4WS Machines	Ref
	2792204*	Axle Lockout Hydraulic Diagram	Ref
		Oil Cooler Hydraulic Diagrams:	Ref
	0256779/1282668	Continental Engine	Ref
	0256762/1282665	Deutz Engine	Ref
	0256777/1282663	Ford Engine	Ref
		Standard Hydraulic Diagrams:	Ref
	2792179/1282380*	600S	Ref
	2792181/1282380*	600SJ	Ref
	2792180/1282380*	660SJ	Ref
	2792176	Standard Hydraulic Schematic	Ref
		Tool Hydraulic Diagrams:	Ref
	2792325	600S	Ref
	2792326	600SJ	Ref
	2792327	660SJ	Ref
		Tow Hydraulic Diagram	Ref
	2792266	2WS	Ref
	2792315	4WS	Ref

SECTION 6 HYDRAULIC

SECTION 7 ELECTRICAL

TABLE OF CONTENTS

FIGURE	DESCRIPTION	PAGE
7-1	ELECTRICAL DIAGRAM LIST	7-2
7-2	HARNESS COMPONENTS INSTALLATION (PRIOR TO SN 0300061927).....	7-6
7-3	HARNESS COMPONENTS INSTALLATION (ADE SYSTEM) (SN 0300061927 TO SN 0300063909).....	7-18
7-4	HARNESS COMPONENTS INSTALLATION (ADE SYSTEM) (SN 0300064499 TO SN 0300068000).....	7-28

SECTION 7 ELECTRICAL

FIGURE 7-1.ELECTRICAL DIAGRAM LIST

FIG & ITEM #	PART NUMBER	DESCRIPTION	QTY.	REV.
		Note: SN 0300063910 to SN 0300064498 use either p/n 0861388 or p/n 0861477 platform console box. See Note in ELECTRICAL SECTION Harness Components if further identification is required.	Ref	
		ALARM ELECTRICAL DIAGRAMS:	Ref	
	4932783/1282474	Alarm (Prior to SN 0300035129)	Ref	—/A
	4932903/1282685	Motion Alarm (SN 0300035129 to SN 0300037117)	Ref	2/D
	4933025/1282937	Motion Alarm (SN 0300037117 to SN 0300068000)	Ref	1/A
	4932902/1282685	Travel Alarm (SN 0300035129 to SN 0300037117)	Ref	1/D
	4933026/1282937	Travel Alarm (SN 0300037117 to SN 0300068000)	Ref	1/A
		DRIVE CUT-OUT ELECTRICAL DIAGRAMS:	Ref	
	4932894/1282672	Above Elevation (Prior to SN 0300035129)	Ref	1/—
	4932990/1282828	Above Elevation (SN 0300035129 to SN 0300068000)	Ref	2/B
	4932896/1282672	Above Elevation Tilt (Prior to SN 0300035129)	Ref	1/—
	4932993/1282828	Above Elevation Tilt (SN 0300035129 to SN 0300068000)	Ref	2/B
	3640493	Rail, Mounting	1	
	4460607	Stop, Terminal	2	
	4120013	Socket, Relay	1	
	3740058	Relay 4PDT	1	
	3740063	Spring, Relay	1	
		ENGINE LOW OIL SHUTDOWN ELECTRICAL DIAGRAMS:	Ref	
	4932977	Prior to SN 0300035129	Ref	1/A
	4932986	SN 0300035129 to SN 0300068000	Ref	2/B
		GENERATOR ELECTRICAL DIAGRAMS:	Ref	
		110Volt	Ref	
	4932828	Prior to SN 0300035129	Ref	2/C
	4932915	SN 0300035129 to SN 0300056089	Ref	2/C
	4933150	SN 0300056089 to SN 0300061927	Ref	2/B
		110Volt (ADE SYSTEM)	Ref	
	4933158	SN 0300061927 TO SN 0300063909	Ref	1/A
	See Note at Top	SN 0300063910 TO SN 0300064498	Ref	
	4933215	SN 0300063909 TO SN 0300068000	Ref	1/A
		220 Volt	Ref	
	4932940	Prior to SN 0300035129	Ref	—/—
	4932989	SN 0300035129 to SN 0300056089	Ref	1/A
	4933149	SN 0300056089 to SN 0300061927	Ref	2/B

SECTION 7 ELECTRICAL

SECTION 7 ELECTRICAL

FIGURE 7-1.ELECTRICAL DIAGRAM LIST

FIG & ITEM #	PART NUMBER	DESCRIPTION	QTY.	REV.
		220 Volt (ADE SYSTEM)	Ref	
	4933162	SN 0300061927 TO SN 0300063909	Ref	1/A
	See Note	SN 0300063910 TO SN 0300064498 (Note: See Note at Top)	Ref	
	4933216	SN 0300064499 TO SN 0300068000	Ref	1/A
		GLOW PLUG DIAGRAMS:	Ref	
	4933175	Glow Plug Diagram (Prior to SN 0300061927)	Ref	B
	4922542	Harness	1	
	4933189	Glow Plug Diagram (ADE System) (SN 0300061927 to SN 0300063909)	Ref	A
	See Note	Glow Plug Diagram (ADE System) (SN 0300063910 TO SN 0300064498) (Note: See Note at Top)	Ref	
	4933217	Glow Plug Diagram (ADE System) (SN 0300064499 to SN 0300068000)	Ref	B
		LIGHTS ELECTRICAL DIAGRAMS:	Ref	
	4932839	Headlight/Taillight (Prior to SN 0300035129)	Ref	1/A
	4932917	Headlight/Taillight (SN 0300035129 to SN 0300061927)	Ref	3/D
	4922095	Harness (Located in Platform Console Box)	1	
	3740049	Relay	1	
	4932917	Headlight/Taillight (ADE System) (SN 0300061927 to SN 0300063909)	Ref	3/D
	4922095	Harness (Located in Ground Console Box)	1	
	3740049	Relay	1	
	See Note	Headlight/Taillight (ADE System) (SN 0300063910 TO SN 0300064498) (Note: See Note at Top)	Ref	
	4933219	Headlight/Taillight (ADE System) (SN 0300064499 to SN 0300068000)	Ref	1/B
	4922643	Harness (Located in Ground Console Box)	1	
	3740049	Relay	1	
		OIL COOLER ELECTRICAL DIAGRAMS:	Ref	
	0256779/1282668	Continental Engine	Ref	
	0256762/1282665	Deutz Engine	Ref	
	0256777/1282663	Ford Engine	Ref	
		PLATFORM ELECTRICAL DIAGRAMS:	Ref	
	4932848	Prior to SN 0300029430	Ref	
	4932914	SN 0300029430 to SN 0300035129	Ref	
	4932905	SN 0300035129 to SN 0300061927	Ref	
	4922509	ADE System (SN 0300061927 to SN 0300068000)	Ref	

SECTION 7 ELECTRICAL

SECTION 7 ELECTRICAL

FIGURE 7-1.ELECTRICAL DIAGRAM LIST

FIG & ITEM #	PART NUMBER	DESCRIPTION	QTY.	REV.
		PLATFORM SOFT TOUCH SYSTEM ELECTRICAL DIAGRAMS:	Ref	
	4932815	Prior to SN 0300035129	Ref	—
	4932980	SN 0300035129 to SN 0300061927	Ref	2/C
	3740057	Relay (Located in Platform Console Box)	1	
	4120012	Socket, Relay (Located in Platform Console Box)	1	
	3740066	Spring, Relay (Located in Platform Console Box)	1	
	3740049	Relay (Located in Platform Console Box)	1	
	4460600	Block, Terminal (Located in Platform Console Box)	1	
		PLATFORM SOFT TOUCH SYSTEM ELECTRICAL DIAGRAMS: (ADE SYSTEM)	Ref	
	4933156	SN 0300061927 TO SN 0300063909	Ref	1/A
	See Note	SN 0300063910 TO SN 0300064498 (Note: See Note at Top)	Ref	
	4933218	SN 0300064499 TO SN 0300068000	Ref	1/B
		PLATFORM WORKLIGHTS ELECTRICAL DIAGRAMS:	Ref	
	0255392	Prior to SN 0300035129	Ref	2/B
	0258048	SN 0300035129 to SN 0300061927	Ref	2/E
	0270814	ADE System (SN 0300061927 to SN 0300068000)	Ref	3/D
		POWER TOOL ELECTRICAL DIAGRAMS	Ref	
	4932971	Prior to SN 0300066201	Ref	2/A
	4933263	SN 0300066201 to SN 0300068000	Ref	1/B
		REMOTE CONTROL ELECTRICAL DIAGRAMS:	Ref	
	4932958	Remote Control Box	Ref	2/B
	4932959	Junction Box	Ref	3/B
		STANDARD ELECTRICAL DIAGRAMS:	Ref	
		Continental Engine Options:	Ref	
	4932796	Prior to SN 0300035129	Ref	7/F
	4932906	SN 0300035129 to SN 0300068000	Ref	4/C
		Deutz Engine Options:	Ref	
	4932795	Prior to SN 0300035129	Ref	6/F
	4932910	SN 0300035129 to SN 0300061927	Ref	6/F
		Deutz Engine (ADE System) Options:	Ref	
	4933169	SN 0300061927 to SN 0300063909	Ref	5/G
	See Note	SN 0300063910 to SN 0300064498 (Note: See Note at Top)	Ref	
	4933222	SN 0300064499 to SN 0300068000	Ref	2/B
	4933062	Deutz Engine - UL (SN 0300039457 to SN 0300068000)	Ref	2/D

SECTION 7 ELECTRICAL

SECTION 7 ELECTRICAL

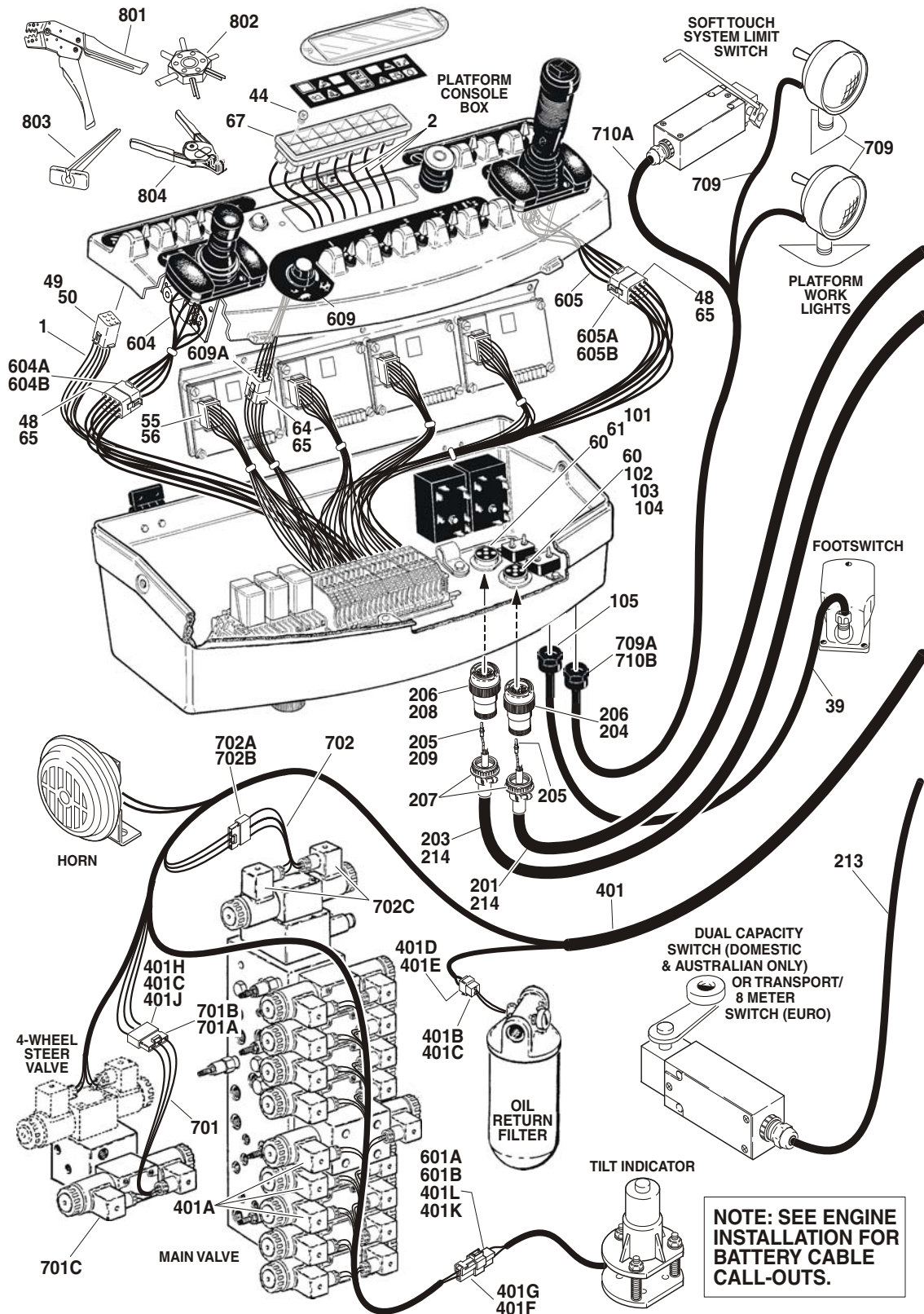
FIGURE 7-1.ELECTRICAL DIAGRAM LIST

FIG & ITEM #	PART NUMBER	DESCRIPTION	QTY.	REV.
		Ford Engine Options:	Ref	
	4932794	Prior to SN 0300030947	Ref	4/E
	4932961	SN 0300030947 to SN 0300035129	Ref	3/B
	4932908	SN 0300035129 to SN 0300048907	Ref	4/B
	4933113	SN 0300048907 to SN 0300061927	Ref	4/E
		Ford EFI Engine (ADE System) Options:	Ref	
	4933155	SN 0300061927 to SN 0300063909	Ref	5/G
	See Note	SN 0300063910 to SN 0300064498 (Note: See Note at Top)	Ref	
	4933221	SN 0300064499 to SN 0300068000	Ref	2/B
	4933054	Ford Engine - UL (SN 0300039457 to SN 0300068000)	Ref	2/E
	4933152	Isuzu Engine (SN 0300057373 to SN 0300068000)	Ref	1/A
		STANDARD ELECTRICAL SCHEMATICS:	Ref	
		Continental & Deutz Options:	Ref	
	1870039	Prior to SN 0300035129	Ref	E
	1870053	SN 0300035129 to SN 0300061927	Ref	E
	1870087	Deutz - UL (SN 0300039457 to SN 0300068000)	Ref	A
		Ford Options:	Ref	
	1870038	Prior to SN 0300035129	Ref	D
	1870052	SN 0300035129 to SN 0300052735	Ref	E
	1870075	Ford - UL (SN 0300039457 to SN 0300068000)	Ref	B
	1870089	Ford W/LP Gas - UL (SN 0300039457 to SN 0300068000)	Ref	B
	1870113	Ford EFI (SN 0300052735 to SN 0300061927)	Ref	A
	1870131	Isuzu (SN 0300057373 to SN 0300068000)	Ref	B
	1870132	Deutz/Ford EFI (ADE System) (SN 0300061927 to SN 0300068000)	Ref	C
		STROBE LIGHT ELECTRICAL DIAGRAMS:	Ref	
	4932812/1282474	Prior to SN 0300035129	Ref	—/—
	4932904/1282685	SN 0300035129 to SN 0300036477	Ref	2/D
	4933027/1282937	SN 0300036477 to SN 0300061927	Ref	1/A
	0270805/1283235	ADE System (SN 0300061927 to SN 0300068000)	Ref	1/B

SECTION 7 ELECTRICAL

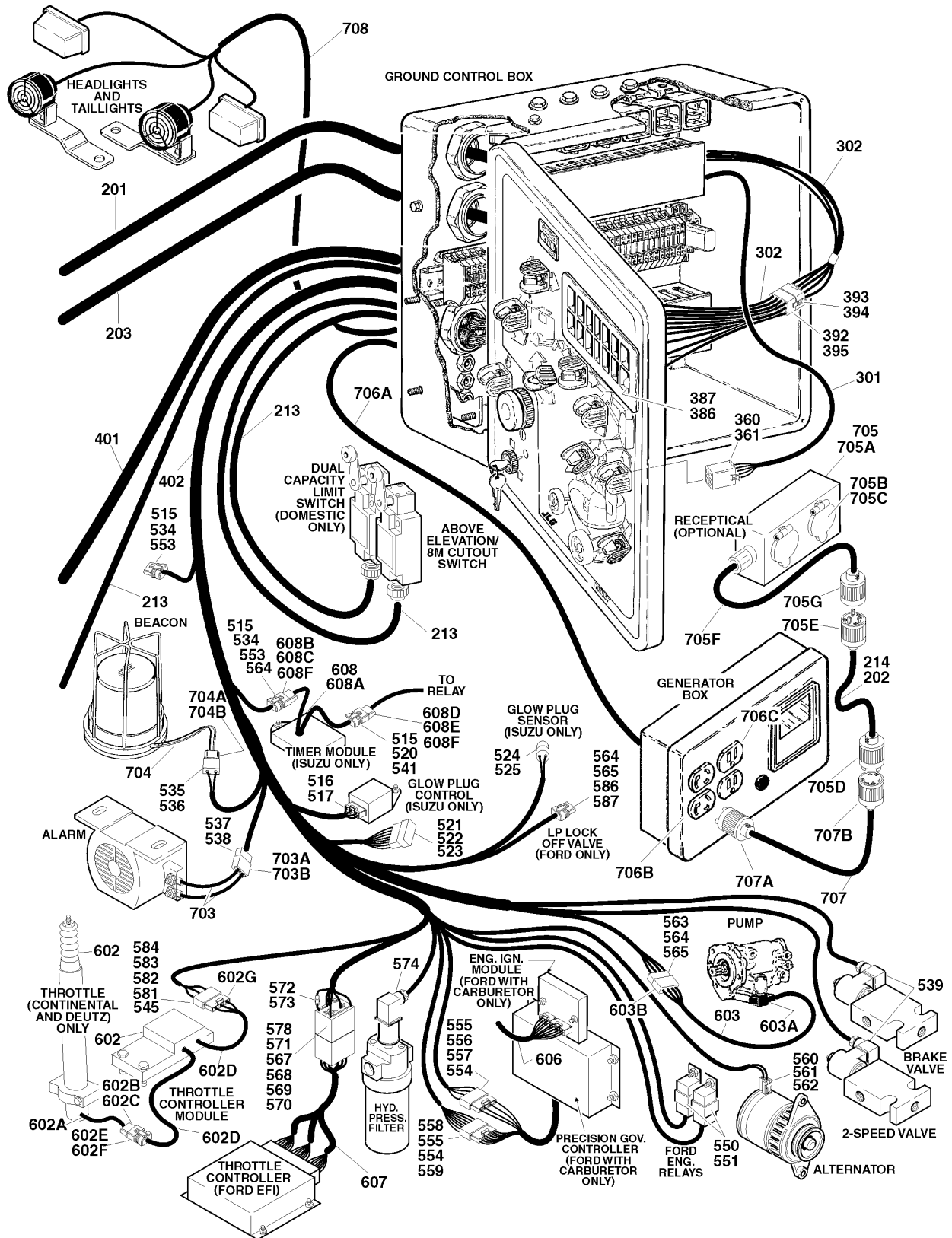
SECTION 7 ELECTRICAL

FIGURE 7-2. HARNESS COMPONENTS INSTALLATION (PRIOR TO SN 0300061927)



SECTION 7 ELECTRICAL

SECTION 7 ELECTRICAL



SECTION 7 ELECTRICAL

SECTION 7 ELECTRICAL

FIGURE 7-2. HARNESS COMPONENTS INSTALLATION (PRIOR TO SN 0300061927)

FIG & ITEM #	PART NUMBER	DESCRIPTION	QTY.	REV.
		HARNESS COMPONENTS INSTALLATION	Ref	
		PLATFORM BOX HARNESS ASSEMBLY	Ref	
	4932848	Prior to SN 0300029430 (Colored Wiring)	Ref	1/E
	4932914	SN 0300029430 to SN 0300035129 (Colored Wiring)	Ref	5/D
	4921991/4932905	SN 0300035129 to SN 0300061927 (Numbered Colored Wiring)	Ref	2/7
1	See Note	Harness, Switch (Made from individual Wires) (Note: Not Available for Purchase.)	AR	
2	See Note	Harness, Light Panel (Made from individual Wires) (Note: Not Available for Purchase.)	AR	
3 to 38	Not Used			
39		Cable, Electrical - 12/4 Options:	AR	
	1060012	Prior to SN 0300060641	7ft/2.13m	
	1060515	SN 0300060641 to SN 0300061927	7ft/2.13m	
40 to 43	Not Used			
44	2920129	Bulb, Light	12	
45 to 47	Not Used			
48	4460265	Plug, Male - 9 Position	2	
49	4460418	Connector - 6 Position	8	
50	4460419	Terminal, Female	AR	
51 to 54	Not Used			
55		Connector - 15 Position Options:	4	
	4460620	Prior to SN 0300035129		
	4460720	SN 0300035129 to SN 0300061927		
56		Socket, Female Options:	43	
	4460621	Prior to SN 0300035129		
	4460721	SN 0300035129 to SN 0300061927		
57 to 59	Not Used			
60	4460464	Pin, Male (16 Gauge)	40	
61	4460508	Pin, Male (12 Gauge)	4	
62	3990001	Diode - 3 Amp (Not Shown)	13	
63	Not Used			
64	4460225	Connector, Plug - 3 Position	1	
65	4460267	Pin, Male	21	
66	3990010	Diode - 6 Amp (Not Shown)	11	
67	Not Used			
68	4120035	Base, Light	12	
69 to 74	Not Used			
		PLATFORM BOX ASSEMBLY COMPONENTS	Ref	
101	4460613	Receptacle - 21Pin	1	
102	4460503	Receptacle - 3 Pin	1	
103	4460470	Nut, Conduit	2	
104	4460471	Washer	2	
105	4460428	Connector, Strain Relief	1	

SECTION 7 ELECTRICAL

SECTION 7 ELECTRICAL

FIGURE 7-2. HARNESS COMPONENTS INSTALLATION (PRIOR TO SN 0300061927)

FIG & ITEM #	PART NUMBER	DESCRIPTION	QTY.	REV.
		BOOM CABLES INSTALLATION	Ref	
	0255364	600S - 2WS	Ref	8
	0256935	600S - 4WS	Ref	5
	0255896	600SJ - 2WS	Ref	8
	0256939	600SJ - 4WS	Ref	5
	0255365	660SJ - 2WS	Ref	9
	0256936	660SJ - 4WS	Ref	4
201	1060516	Cable, Electrical - 16/30 Options: (Does not Include Terminals)	AR	
		600S	68.5ft/20.9m	
		600SJ	70ft/21.3m	
		660SJ	77ft/23.5m	
202	1060494	Cable, Electrical - 12/3 Options: (Does not Include Terminals)	AR	
		600S	69.5ft/21.2m	
		600SJ	71ft/21.6m	
		660SJ	77ft/23.5m	
203		Cable, Electrical Options: (Does not Include Terminals)	AR	
	1060602	600S - 2WS (12/4 & 16/4)	69.5ft/21.2m	
	1060603	600S - 4WS (12/4 & 16/10)	69.5ft/21.2m	
	1060602	600SJ - 2WS (12/4 & 16/4)	71ft/21.6m	
	1060603	600SJ - 4WS (12/4 & 16/10)	71ft/21.6m	
	1060602	660SJ - 2WS (12/4 & 16/4)	77ft/23.5m	
	1060603	660SJ - 4WS (12/4 & 16/10)	77ft/23.5m	
204	4460502	Connector - 31 Position	1	
205	4460465	Socket, Female - #16	AR	
206	4460466	Seal, Plug	14	
207	4460473	Clamp, Cable	2	
208	4460614	Plug, Connector (19 Pin)	1	
209	4460509	Socket, Female - #12	4	
210 to 212	Not Used			
213	1060016	Cable, Boom Length Options:	AR	
		600S - 2WS		
		Prior to SN 0300053733	25.5ft/9.1m	
		SN 0300053733 to SN 0300062050	40.5ft/12.1m	
		SN 0300062050 to SN 0300061927	55.5ft/16.9m	
		600S - 4WS		
		Prior to SN 0300062050	25.5ft/9.1m	
		SN 0300062050 to SN 0300061927	55.5ft/16.9m	
		600SJ/660SJ - 2WS		
		SN 0300053733 to SN 0300061927	15ft/4.5m	
	Not Required	600SJ/660SJ - 4WS		
214	4100026	Sleeve, Nylon (600S Only)	10ft/3m	

SECTION 7 ELECTRICAL

SECTION 7 ELECTRICAL

FIGURE 7-2. HARNESS COMPONENTS INSTALLATION (PRIOR TO SN 0300061927)

FIG & ITEM #	PART NUMBER	DESCRIPTION	QTY.	REV.
		GROUND CONTROL BOX DIAGRAMS	Ref	
		Note: Numbered Wiring Starts With SN 0300035129	Ref	
		Continental Engine	Ref	
	4932796	Prior to SN 0300035129	Ref	7/F
	4932906	SN 0300035129 to SN 0300061927	Ref	4/C
		Deutz Engine	Ref	
	4932795	Prior to SN 0300035129	Ref	6/F
	4932910	SN 0300035129 to SN 0300061927	Ref	4/D
		Deutz Engine - UL	Ref	
	4933062	SN 0300039457 to SN 0300061927	Ref	1/B
		Ford Engine	Ref	
	4932794	Prior to SN 0300030947	Ref	4/C
	4932961	SN 0300030947 to SN 0300035129	Ref	3/B
	4932908	SN 0300035129 to SN 0300048907	Ref	4/B
		Ford EFI Engine	Ref	
	4933113	SN 0300048907 to SN 0300061927	Ref	4/E
		Ford Engine - UL	Ref	
	4933054	SN 0300039457 to SN 0300061927	Ref	1/B
		Isuzu Engine	Ref	
	4933152	SN 0300057373 to SN 0300061927	Ref	1/A
301		Harness, Switch Options:	AR	
	See Note	Prior to SN 0300035129 (Made from Individual Wires) (Note: Not Available for Purchase.)		
	4921993	SN 0300035129 to SN 0300061927 (Includes Items 360 & 361)		3/C
	4922167	UL Machines (SN 0300035129 to SN 0300061927) (Includes Items 360 & 361)		1/A
302		Harness Assembly - Light Panel Options:	AR	
	4922145	Prior to SN 0300035129 (Made from Individual Wires) (Note: Not Available for Purchase.)		
	4922002	SN 0300035129 to SN 0300061927		
303		Sub-Harness - Start Options (Not Shown):	AR	
	See Note	Prior to SN 0300035129 (Made from Individual Wires) (Note: Not Available for Purchase.)		
	4922007	Continental Engine - SN 0300035129 to SN 0300061927		2/B
	4922008	Deutz Engine - SN 0300035129 to SN 0300061927		4/D
	4922006	Ford Engine - SN 0300035129 to SN 0300061927		2/B
	4922335	Ford Engine with EFI - SN 0300035129 to SN 0300061927		4/D
	4922008	Isuzu Engine - SN 0300057373 to SN 0300061927		4/D
304 to 359	Not Used			
360	4460418	Connector - 6 Position	AR	
361	4460419	Socket, Female	AR	

SECTION 7 ELECTRICAL

SECTION 7 ELECTRICAL

FIGURE 7-2. HARNESS COMPONENTS INSTALLATION (PRIOR TO SN 0300061927)

FIG & ITEM #	PART NUMBER	DESCRIPTION	QTY.	REV.
362 to 371	Not Used			
372	4460508	Pin, Deutsch (Not Shown - Ford Only)	4	
373 to 383	Not Used			
384	3990010	Diode 6 Amp (Not Shown)	AR	
385	Not Used			
386	4120035	Base, Light	AR	
	4460634	Insert, Terminal (Single Wire)	AR	
	4460635	Insert, Terminal (Double Wire)	AR	
387	2920129	Bulb, Light	AR	
388	3990001	Diode 3 Amp (Not Shown)	7	
389	3730099	Resistor 750 Ohm (Not Shown)	1	
390	Not Used			
391		Resistor 500 Ohm (Not Shown - Located at Alternator Light)	1	
	3730022	Prior to SN 0300036499		
	3730023	SN 0300036499 to SN 0300061927		
392	4460267	Pin, Male	6	
393	4460268	Socket, Female	6	
394	4460224	Connector, Female	1	
395	4460225	Connector, Male	1	
		GROUND CONTROL BOX ASSY COMPONENTS	Ref	
		Note: Numbered Wiring Starts With SN 0300035129	Ref	
401		Valve Harness Assembly Options:	1	
	4921735	Prior to SN 0300026233		3/D
	4921849	SN 0300026233 to SN 0300035129		-/A
	4921923	SN 0300035129 to SN 0300061927		3/E
	4922164	UL - SN 0300039457 to SN 0300061927		2/C
401A	4460499	DIN Connector with Diode	19	
401B	4460320	Plug, Male - 2 Position (Not Required on UL Machines)	2	
401C	4460267	Pin, Male	AR	
401D	4460424	Receptacle, Female - 2 Position (Not Required on UL Machines)	1	
401E	4460268	Socket, Female (Not Required on UL Machines)	5	
401F		Housing, Terminal - 6 Position Options:	1	
	4460539	Prior to SN 0300026233		
	4460225	SN 0300026233 to SN 0300061927		
401G	4460465	Socket, Female (Prior to SN 0300026233)	3	
	4460267	Pin, Male (SN 0300026233 to SN 0300061927)	3	
401H	4460326	Plug, Male - 3 Position	1	
401J	4460445	Connector, Female - 3 Position	1	
401K	4460536	Connector, Deutsch - 3 Position (Prior to SN 0300026233)	1	
	See Note:	Connector - 6 Position (SN 0300026233 to SN 0300061927)	AR	
401L	4460464	Pin, Male (Prior to SN 0300026233)	3	
	See Note:	Pin (SN 0300026233 to SN 0300061927)	AR	

SECTION 7 ELECTRICAL

SECTION 7 ELECTRICAL

FIGURE 7-2. HARNESS COMPONENTS INSTALLATION (PRIOR TO SN 0300061927)

FIG & ITEM #	PART NUMBER	DESCRIPTION	QTY.	REV.
		Note: After SN 0300026233, # 401K & 401L are no longer part of Valve Harness. See Tilt Indicator Harness.	Ref	
402		Engine Harness Assembly Options: (See Items 501-587 for Breakdown)	1	
		Continental Engine		
	4921738	Prior to SN 0300035129		4/D
	4921926	SN 0300035129 to SN 0300061927		3/D
		Deutz Engine		
	4921737	Prior to SN 0300035129		4/D
	4921925	SN 0300035129 to SN 0300061927		5/F
		Ford Engine		
	4921736	Prior to SN 0300030947		6/F
	4921970	SN 0300030947 to SN 0300035129		1/A
	4921924	SN 0300035129 to SN 0300048907		3/C
	4922329	SN 0300048907 to SN 0300061927		5/E
		Ford Engine - UL		
	4922166	SN 0300039457 to SN 0300061927		4/D
	4922077	ENGINE HARNESS ASSEMBLY - CONTINENTAL, DEUTZ & FORD ENGINE OPTIONS:	Ref	
		Note: Numbered Wiring Starts With SN 0300035129	Ref	
		Continental	Ref	
	4921738	Prior to SN 0300035129	Ref	4/E
	4921926	SN 0300035129 to SN 0300061927	Ref	3/D
		Deutz	Ref	
	4921737	Prior to SN 0300035129	Ref	4/E
	4921925	SN 0300035129 to SN 0300061927	Ref	6/G
		Deutz (UL)	Ref	
	4922185	SN 0300035129 to SN 0300061927	Ref	2/C
		Ford	Ref	
	4921736	Prior to SN 0300030947	Ref	4/F
	4921970	SN 0300030947 to SN 0300035129	Ref	1/A
	4921924	SN 0300035129 to SN 0300048907	Ref	3/C
		Ford EFI	Ref	
	4922329	SN 0300048907 to SN 0300061927	Ref	5/E
		Ford UL Machines	Ref	
	4922166	SN 0300035129 to SN 0300061927	Ref	4/D
		Isuzu Machines	Ref	
	4922380	SN 0300057373 to SN 0300061927	Ref	1/A
501 to 514	Not Used			
515	4460780	Seal, Terminal (Isuzu Engine Only)	8	
516	4460784	Housing, Terminal - 6 Position (Isuzu Engine Only)	1	
517	4460783	Terminal, Spade (Isuzu Engine Only)	AR	
518 to 519	Not Used			
520	4460850	Pin, Male (Isuzu Engine Only)	3	
521	4460465	Socket, Female - #16 (Isuzu Engine Only)	12	

SECTION 7 ELECTRICAL

FIGURE 7-2. HARNESS COMPONENTS INSTALLATION (PRIOR TO SN 0300061927)

FIG & ITEM #	PART NUMBER	DESCRIPTION	QTY.	REV.
522	4460836	Connector, Deutch - 12 Position (Isuzu Engine Only)	1	
523	4460837	Connector, Housing (Isuzu Engine Only)	1	
524	4460856	Connector, Glow Plug Sensor (Isuzu Engine Only)	1	
525	4460857	Terminal, Glow Plug Sensor (Isuzu Engine Only)	2	
526 to 527	Not Used			
528	4460268	Socket, Female (Continental & Deutz Only)	12	
529	4460267	Pin, Male (Continental & Deutz Only)	12	
530 to 533	Not Used			
534	4460790	Socket, Female (Isuzu Engine Only)	5	
535	4460424	Receptacle, Female - 2 Position	AR	
536	4460268	Socket, Female	AR	
537	4460320	Connector, Female - 2 Position	AR	
538	4460267	Pin, Male	AR	
539	4460499	DIN Connector with Diode	AR	
540	Not Used			
541	4460476	Housing (Isuzu Engine Only)	1	
542 to 544	Not Used			
545	4460445	Housing, Terminal - 3 Position (Continental & Deutz Only) (Prior to SN 0300044047)	1	
546	Not Used			
547	4460265	Plug, Male - 9 Position (Continental & Deutz Only)	1	
548	4460266	Connector, Female - 9 Position (Continental & Deutz Only)	1	
549	Not Used			
550	4460374	Plug, Sealed (Ford Engine Only)	AR	
551	4460375	Terminal (Ford Engine Only)	AR	
552	Not Used			
553	4460459	Housing (Isuzu Engine Only)	2	
554	4460608	Seal, Terminal (Ford Engine Only)	AR	
555	4460589	Terminal (Ford Engine Only)	AR	
556	4460590	Housing - 4 Position (Ford Engine Only)	AR	
557	4460591	Lock, Terminal (Ford Engine Only)	AR	
558	4460587	Housing - 8 Position (Ford Engine Only)	AR	
559	4460588	Lock, Terminal (Ford Engine Only)	AR	
560	4460582	Terminal (Ford Engine Only)	3	
561	4460580	Lock, Terminal (Ford Engine Only)	1	
562	4460579	Housing - 3 Position (Ford Engine Only)	1	
563	4460460	Connector, Male - 4 Position	1	
564	4460457	Terminal, Female	AR	
565	4460458	Seal, Terminal	AR	
566	Not Used			
567	4460713	Housing, Connector - 42 Position (Ford Engine Only)	1	
568	4460725	Lock, Wedge - Center (Ford Engine Only)	1	
569	4460726	Lock, Wedge - Side (Ford Engine Only)	2	
570	4460800	Plug, Hole (Ford Engine Only)	29	
571	4460799	Pin, Male (Ford Engine Only)	9	

SECTION 7 ELECTRICAL

SECTION 7 ELECTRICAL

FIGURE 7-2. HARNESS COMPONENTS INSTALLATION (PRIOR TO SN 0300061927)

FIG & ITEM #	PART NUMBER	DESCRIPTION	QTY.	REV.
572	2400061	Fuse (Ford Engine Only)	2	
573	2400060	Holder, Fuse (Ford Engine Only)	2	
574	4460449	DIN Connector without Diode	1	
575 to 577	Not Required			
578	4460418	Connector, 6 Position (Ford Engine - UL Machines Only)	1	
579	4460419	Terminal, Female (Ford Engine - UL Machines Only)	6	
580	3990010	Diode, 6 Amp (Ford Engine - UL Machines Only)	1	
581	4460777	Housing - 4 Position (Continental, Isuzu & Deutz Only) (SN 0300044047 to SN 0300061927)	1	
582	4460591	Terminal, Lock (Continental, Isuzu & Deutz Only) (SN 0300044047 to SN 0300061927)	1	
583	4460589	Socket (Continental, Isuzu & Deutz Only) (SN 0300044047 to SN 0300061927)	3	
584	4460608	Seal, Cable (Continental, Isuzu & Deutz Only) (SN 0300044047 to SN 0300061927)	3	
585	Not Used			
586	4460742	Connector, 2 Position (Ford Engine Only)	1	
587	See Note	Dual Fuel Shut-Off Filter Harness (Note: Not Available for Purchase.)	1	
	7023679	Electrical Connector Kit (Includes [1] 2 Position Connector, 2 Pins & 2 Seals)	1	
		STANDARD HARNESS COMPONENTS	Ref	
		Note: Numbered Wiring Starts With SN 0300035129	Ref	
601	See Note	Tilt Indicator Harness (Note: Not Available for Purchase.)	1	
601A	See Note	Pin (Prior to SN 0300026233)	AR	
	4460268	Socket, Female (SN 0300026233 to SN 0300061927)	6	
601B	See Note	Plug (Prior to SN 0300026233)	1	
	4460224	Connector, Female - 6 Position (SN 0300026233 to SN 0300061927)	1	
		Note: Prior to SN 0300026233, # 601A & 601B are part of Valve Harness. See Valve Harness.	Ref	
602	See Note	Throttle Actuator/Controller Harness (Continental, Isuzu & Deutz) (Note: Not Available for Purchase.)	1	
	Use 2910000	Throttle Actuator and Controller Assembly (Was p/n 0060033)	1	
	7008833	Mounting Clamp Kit (Not Shown)	1	
	7008836	Spring, Retract (Not Shown)	1	
602A	See Note	Throttle Actuator & Harness (Note: Not Available - Purchase p/n 2910000.)	1	
	7016336	Boot Kit	1	
602B	See Note	Pin, Male (Note: Not Available for Purchase.)	9	
602C	See Note	Connector, Male (Note: Not Available for Purchase.)	1	
602D	2910001	Controller & Harness (Purchase p/n 2910000)	1	

SECTION 7 ELECTRICAL

FIGURE 7-2. HARNESS COMPONENTS INSTALLATION (PRIOR TO SN 0300061927)

FIG & ITEM #	PART NUMBER	DESCRIPTION	QTY.	REV.
602E	See Note	Socket, Female (Note: Not Available for Purchase.)	9	
602F	See Note	Connector, Female (Note: Not Available for Purchase.)	1	
602G	See Note	Plug, Male - 4 Position (Note: Not Available for Purchase.)	1	
	4460693	Pin, Male	4	
	4460591	Clip	1	
	4460608	Seal, Terminal	4	
603	See Note	6 Pump Harness (Note: Not Available for Purchase.)	1	
603A	7007497	Plug (Pump End)	1	
603B	7007498	Plug (Engine Harness End)	1	
604	See Note	Controller Harness Assembly (Lift and Swing) (Note: Not Available for Purchase.)	1	
604A	4460266	Connector, Female - 9 Position	1	
604B	4460268	Socket, Female	7	
605	See Note	Controller Harness/Circuit Board Assembly (Drive and Steer) (Note: Not Available for Purchase.)	1	
605A	4460266	Connector, Female - 9 Position	1	
605B	4460268	Socket, Female	7	
606	7012682	Ford Engine Harness (For replacement parts refer to Ford engine dealer (Ford Engine Machines)	1	
607	See Note	Ford Engine Harness (For replacement parts refer to Ford engine dealer (Ford EFI Engine Machines) (Note: Not Available for Purchase.)	1	
608	0259198	Timer Module Assembly (Isuzu Engine Only)	1	2/B
608A	3740126	Relay, Timer Module	1	
608B	4460476	Housing, Receptacle	1	
608C	4460475	Pin, Male	3	
608D	4460459	Housing, Terminal	1	
608E	4460457	Socket, Female	3	
608F	4460458	Seal, Terminal	6	
609	See Note	Speed Controller Harness Assembly (Note: Not Available for Purchase.)	1	
609A	4460224	Connector, Female - 6 Position	1	
	4460268	Socket, Female	6	
		OPTIONAL HARNESS COMPONENTS	Ref	
		Note: Numbered Wiring Starts With SN 0300035129	Ref	
701		4WS Valve Harness Options:	1	
	4921772	Prior to SN 0300035129		
	4921928	SN 0300035129 to SN 0300061927		
701A	4460268	Socket, Female	3	
701B	4460445	Connector, Female - 3 Position	1	
701C	4460499	Connector, DIN with Diode	2	
702		Jib Valve Harness Options: (600SJ & 660SJ Only)	1	
	4921771	Prior to SN 0300035129		
	4921927	SN 0300035129 to SN 0300061927		

SECTION 7 ELECTRICAL

SECTION 7 ELECTRICAL

FIGURE 7-2. HARNESS COMPONENTS INSTALLATION (PRIOR TO SN 0300061927)

FIG & ITEM #	PART NUMBER	DESCRIPTION	QTY.	REV.
702A	4460326	Plug, Male - 3 Position	1	
702B	4460267	Pin, Male	3	
702C	4460499	Connector, DIN with Diode	2	
703		Alarm Harness Options: (Includes Alarm)	1	
	0255914	Prior to SN 0300035129		
	0257887	SN 0300035129 to SN 0300061927		
703A	4460424	Plug, Male - 2 Position	1	
703B	4460268	Socket, Female	2	
704	0255917	Strobe Light Harness (Includes Strobe Light)	1	
704A	4460320	Connector, Female - 2 Position	1	
704B	4460267	Pin, Male	2	
705		AC to Platform Receptacle Components Options:		
	0256113	110V GFI Receptacle	Ref	1/A
	0257175	220V GFI Receptacle	Ref	-/A
705A	0860038	Box, Switch	1	
705B		Receptacle Options:	1	
	4460346	110V GFI		
	4460125	220V GFI		
705C		Shield, Cover Options:	1	
	4060700	110V GFI		
	4060092	220V GFI		
705D		Plug, Male Options:	2	
	4460205	110V GFI		
	4460233	220V GFI		
705E		Connector, Female Options:	2	
	4460134	110V GFI		
	4460701	220V GFI		
705F		Harness-Receptacle Box to Boom Options:	1	
	4921801	110V		
	See Note	220V (Note: Not Available for Purchase.)		
	1060494	Cable, Electrical - 12/3	18in/47cm	
705G	4460205	Plug, Male (110V)	1	
	4460233	Plug, Male (220V)	1	
705H	0961127	Bushing, Snap (Not Shown)	1	
706		Generator Electrical Components		
	4932828	110V (Prior to SN 0300035129)	Ref	2/C
	4932915	110V (SN 0300035129 to SN 0300056089)	Ref	1/A
	4933150	110V (SN 0300056089 to SN 0300061927)	Ref	2/B
	4932940	220V (Prior to SN 0300035129)	Ref	1/A
	4932989	220V (SN 0300035129 to SN 0300056089)	Ref	1/A
	4933149	220V (SN 0300056089 to SN 0300061927)	Ref	2/B
	3990010	Diode - 6 Amp (Not Shown)	1	
706A		Harness - On/Off Switch Options: (Powermite Control Box to Ground Control Box)	1	
	4921828	Prior to SN 0300035129		
	4921938	SN 0300035129 to SN 0300061927		
706B	4460027	Receptacle, Electrical (Industrial) (110V)	1	
	4460125	Receptacle, Electrical (220V)	1	

SECTION 7 ELECTRICAL

SECTION 7 ELECTRICAL

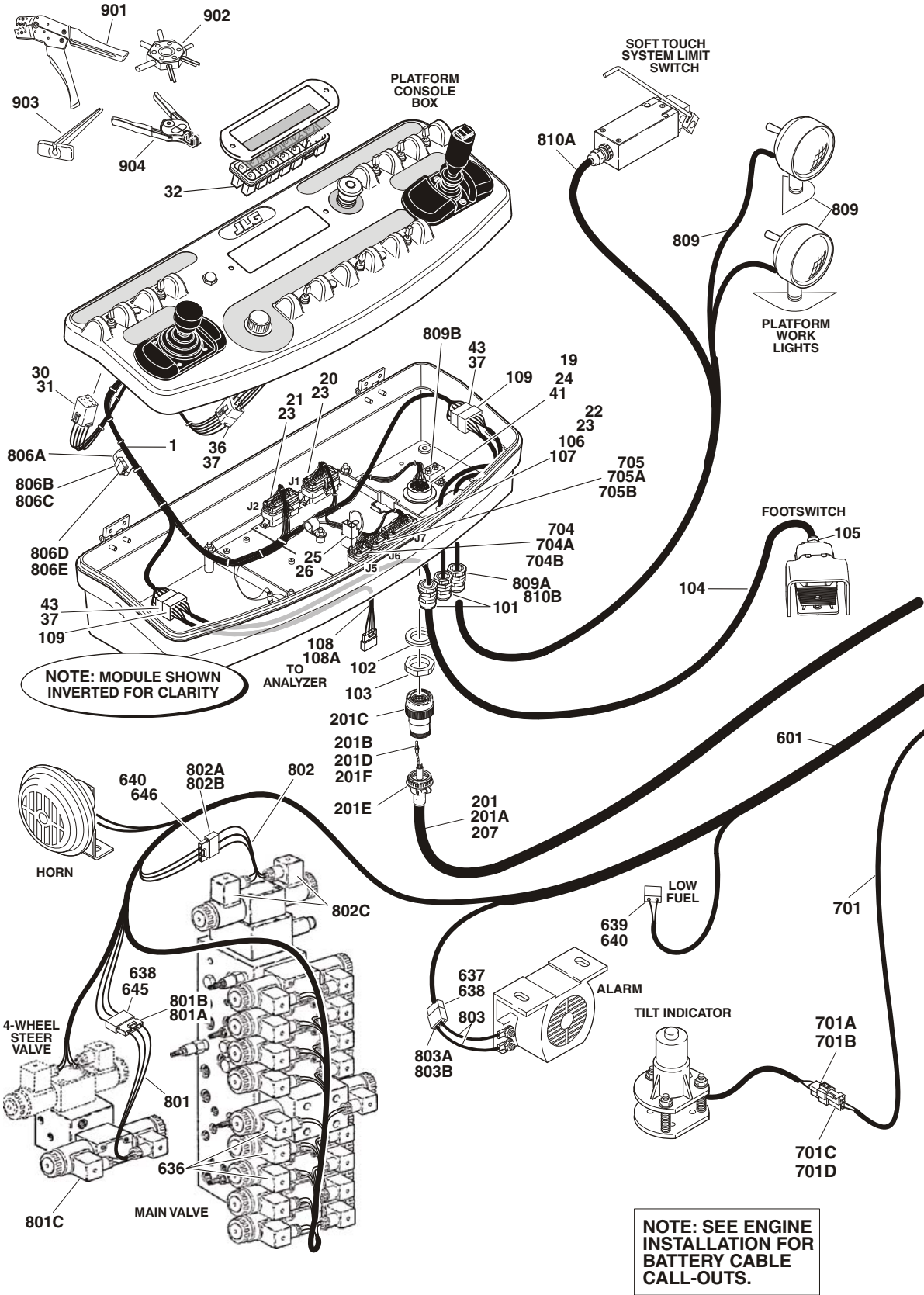
FIGURE 7-2. HARNESS COMPONENTS INSTALLATION (PRIOR TO SN 0300061927)

FIG & ITEM #	PART NUMBER	DESCRIPTION	QTY.	REV.
706C	4460190	Receptacle, Electrical (Standard) (110V)	1	
	4460125	Receptacle, Electrical (220V)	1	
707	4921827	Generator to Rear of Boom Harness (110V)	1	
	4921954	Generator to Rear of Boom Harness (220V)	1	
		Note: Harness used to connect AC at platform harness to generator receptacle to power platform receptacle.	Ref	
	1060494	Cable, Electrical - 12/3	26ft/8m	
707A	4460205	Plug, Male (110V)	1	
	4460233	Plug, Male (220V)	1	
707B	4460134	Receptacle, Female (110V)	1	
	4460701	Receptacle, Female (220V)	1	
708	See Note	Lights Harness (Note: Not Available for Purchase.)	1	
	3740049	Relay (Not Shown)	1	
	1060341	Cable, Electrical - 16/2	37ft/11.3m	
709	2920140	Platform Worklights Harness (Includes Light and Wire Only)	2	
	2820035	Loom, Vinyl	9ft/2.8m	
709A	4460598	Connector, Strain Relief	1	
	4460442	Terminal (Not Shown-Located in Platform Console)	2	
710	See Note	Soft-Touch System Harness (Note: Not Available for Purchase.)	1	
710A		Cable, Electrical Options:		
	1060330	Cable, Electrical - 16/2 (Prior to SN 0300029105)	16ft/4.9m	
	1060341	Cable, Electrical - 16/3 (SN 0300029105 to SN 0300061927)	16ft/4.9m	
710B		Connector, Strain Relief Options:	1	
	4460428	Prior to SN 0300029105		
	4460425	SN 0300029105 to SN 0300068000		
		TOOLS	Ref	
	4921850	Service Harness (For Setting Deutz Throttle Actuator)	1	
	4922012	Service Harness (For Setting Circuit Cards)	1	
801	7002821	Crimper (For Wire to Pin/Socket Connections)	1	
802	7002823	Extractor (For Removal of Pin/Socket from Connectors)	1	
803	4460467	Extractor, Pin (Blue 16-18 Gauge) (For Removal of Pin/Socket from Connectors)	1	
	4460510	Extractor, Pin (Yellow 12-14 Gauge) (For Removal of Pin/Socket from Connectors)	1	
804	7002828	Stripper, Wire	1	

SECTION 7 ELECTRICAL

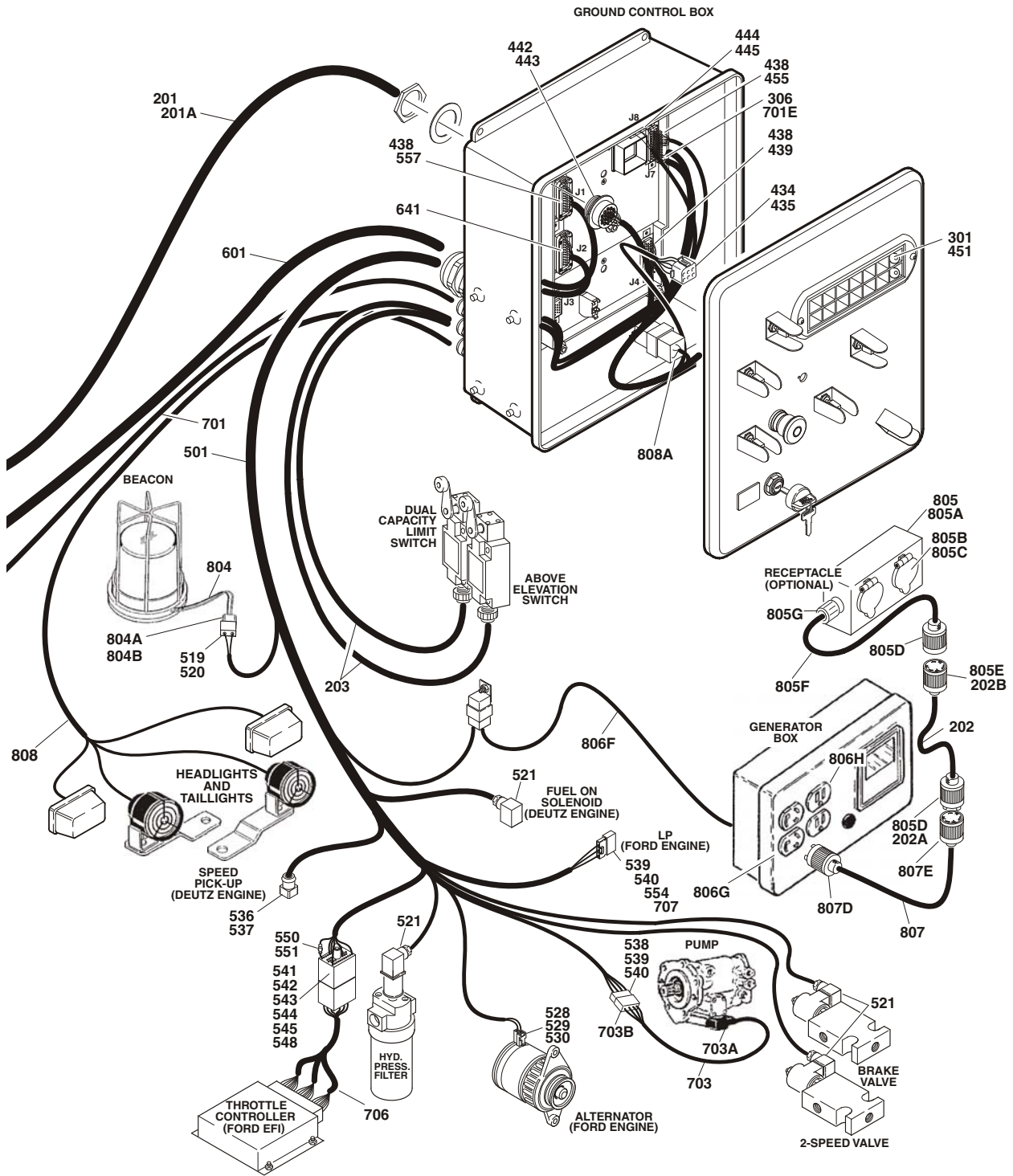
SECTION 7 ELECTRICAL

**FIGURE 7-3. HARNESS COMPONENTS INSTALLATION (ADE SYSTEM)
(SN 0300061927 TO SN 0300063909)**



SECTION 7 ELECTRICAL

SECTION 7 ELECTRICAL



SECTION 7 ELECTRICAL

SECTION 7 ELECTRICAL

FIGURE 7-3. HARNESS COMPONENTS INSTALLATION (ADE SYSTEM) (SN 0300061927 TO SN 0300063909)

FIG & ITEM #	PART NUMBER	DESCRIPTION	QTY.	REV.
		Note: SN 0300063910 to SN 0300064498 use either p/n 0861388 or p/n 0861477 platform console box. Determine appropriate console by the presence of (2) white 15 position connectors inside console box. If present, use Figure 7-13. If not present, use Figure 7-14.	Ref	
	4922509	PLATFORM BOX HARNESS ASSEMBLY	Ref	3/D
1	4922509	Harness, Console Box	1	
2 to 18	Not Used			
19	4460866	Terminal, 19 Pin Receptacle	1	
20	4460874	Connector - 35 Position (Natural)	1	
21	4460875	Connector - 35 Position (Gray)	1	
22	4460873	Connector - 35 Position (Black)	1	
23	4460871	Socket, Female	48	
24	4460464	Pin, Male (16 Gauge)	7	
25	4460879	Terminal, Housing 2 Position	1	
26	4460887	Terminal, (12 Gauge)	2	
27 to 29	Not Used			
30	4460418	Connector - 6 Position	4	
31	4460419	Terminal, Female	12	
32	4120035	Base, Light	7	
33 to 35	Not Used			
36	4460225	Connector - 6 Position	1	
37	4460227	Pin, Male	6	
38 to 40	Not Used			
41	4460508	Pin, Male (12 Gauge)	3	
42	Not Used			
		PLATFORM BOX ASSEMBLY COMPONENTS	Ref	
101	4460428	Connector, Strain Relief	2	
102	4460470	Nut, Conduit	1	
103	4460471	Washer	1	
104	1060330	Cable, Electrical - 16/3	7ft/2.1m	
105	4460071	Connector, Strain Relief	1	
106	4460226	Socket, Female	2	
107	4922485	Harness, Analyzer Cable (Not Shown - Located on bottom front of console box)	1	
	4460871	Terminal, Socket	4	
	4460761	Housing - 4 Position	1	
	4460227	Pin	4	

SECTION 7 ELECTRICAL

SECTION 7 ELECTRICAL

FIGURE 7-3. HARNESS COMPONENTS INSTALLATION (ADE SYSTEM) (SN 0300061927 TO SN 0300063909) (CONTINUED)

FIG & ITEM #	PART NUMBER	DESCRIPTION	QTY.	REV.
		BOOM CABLES INSTALLATION	Ref	
	0270733	600S - 2WS	Ref	3
	0270738	600SJ - 2WS	Ref	2
	0270736	660SJ - 2WS	Ref	2
201		Harness, Main Boom Options:	1	
	4922468	600S - 2WS		
	4922466	600SJ - 2WS		
	4922467	660SJ - 2WS		
201A	1060896	Cable Options:	AR	
		600S - 2WS	67ft/20.4m	
		600SJ - 2WS	69ft/21m	
		660SJ - 2WS	75ft/22.8m	
201B	4460465	Socket, Female - #16	22	
201C	4460865	Connector (19 Pin)	1	
201D	4460509	Socket, Female - #12	8	
201E	4460473	Clamp, Cable	1	
201F	4460466	Seal, Plug	4	
202	1060494	Cable, Electrical - 12/3 Options: (Does not include plug ends)	AR	
		600S - 2WS	69.5ft/21.8m	
		600SJ - 2WS	71ft/21.6m	
		660SJ - 2WS	77ft/23.5m	
202A	4460205	Plug, Male (110V)	1	
202B	4460134	Connector, Female (110V)	1	
203	1060680	Cable, Electrical - 18/2 Boom Length	AR	
		600S - 2WS	55.5ft/16.9m	
		600SJ/660SJ - 2WS	15ft/4.6m	
204 to 206	Not Used			
207		Sleeve, Nylon Options:	AR	
	4100026	600S - 2WS	10ft/3.0m	
	Not Required	600SJ/660SJ - 2WS		
		GROUND CONTROL BOX DIAGRAMS	Ref	
	4933169	Deutz Engine	Ref	5/G
	4933155	Ford EFI Engine	Ref	5/G
301	2920129	Bulb, Light	6	
302 to 305	Not Used			
306	4460871	Socket, Female	AR	
307	2400065	Fuse, 30Amp (Not Shown)	1	
308	2400066	Fuse, Holder W/Cover (Not Shown)	1	
	4922475	GROUND CONTROL HARNESS ASSEMBLY	Ref	5/F
401 to 433	Not Used			
434	4460419	Terminal, Female	21	
435	4460418	Connector - 6 Position	7	

SECTION 7 ELECTRICAL

SECTION 7 ELECTRICAL

FIGURE 7-3. HARNESS COMPONENTS INSTALLATION (ADE SYSTEM) (SN 0300061927 TO SN 0300063909) (CONTINUED)

FIG & ITEM #	PART NUMBER	DESCRIPTION	QTY.	REV.
436 to 437	Not Used			
438	4460871	Socket, Female	34	
439	4460876	Connector - 35 Position (Blue)	1	
440 to 441	Not Used			
442	4460464	Pin, Male (16 Gauge)	7	
443	4460866	Terminal, 19 Pin Receptacle	1	
444	4460878	Housing, Terminal - 4 Position	1	
445	4460887	Terminal	3	
446 to 450	Not Used			
451	4120035	Base, Light	6	
452 to 453	Not Used			
454	4460508	Pin, Male (12 Gauge)	3	
455	4460873	Connector - 35 Position (Black)	1	
		ENGINE HARNESS ASSEMBLY	Ref	
	4922515	DEUTZ ENGINE	Ref	4/D
	4922514	FORD ENGINE - LRG425 With EFI	Ref	4/D
501		Harness, Assembly Options:	1	
	4922515	Deutz Engine		
	4922514	Ford Engine - LRG425 With EFI		
502 to 518	Not Used			
519	4460424	Receptacle, Female - 2 Position	1	
520	4460268	Socket, Female	2	
521	4460880	DIN Connector without Diode	AR	
522 to 527	Not Used			
528	4460582	Terminal (Ford Engine Only)	3	
529	4460580	Lock, Terminal (Ford Engine Only)	1	
530	4460579	Housing - 3 Position (Ford Engine Only)	1	
531 to 535	Not Used			
536	4460890	Housing - 2 Position (Deutz Engine Only)	1	
537	4460889	Terminal (Deutz Engine Only)	2	
538	4460460	Connector, Male - 4 Position	1	
539	4460457	Terminal, Female	AR	
540	4460458	Seal, Terminal	AR	
541	4460713	Connector, Housing 42 Position (LRG425 With EFI Only)	1	
542	4460725	Connector Wedge Lock, Center (LRG425 With EFI Only)	1	
543	4460726	Connector Wedge Lock, Side (LRG425 With EFI Only)	2	
544	4460800	Connector, Plug (LRG425 With EFI Only)	29	
545	4460799	Pin, Male (LRG425 With EFI Only)	7	
546 to 547	Not Used			
548	4460728	Pin, Male (LRG425 With EFI Only)	3	
549	Not Used			
550	2400061	Fuse (LRG425 With EFI Only)	2	
551	2400060	Holder, Fuse (LRG425 With EFI Only)	2	

SECTION 7 ELECTRICAL

FIGURE 7-3. HARNESS COMPONENTS INSTALLATION (ADE SYSTEM) (SN 0300061927 TO SN 0300063909) (CONTINUED)

FIG & ITEM #	PART NUMBER	DESCRIPTION	QTY.	REV.
552 to 553	Not Used			
554	4460742	Connector, Male - 2 Position (LRG425 With EFI Only)	1	
555 to 556	Not Used			
557	4460871	Socket, Female	AR	
558 to 566	Not Used			
	4922513	VALVE HARNESS ASSEMBLY	Ref	3/D
601	4922513	Harness, Assembly	1	
602 to 635	Not Used			
636	4460880	DIN Connector	15	
637	4460320	Connector, Female - 2 Position	2	
638	4460267	Pin, Male	5	
639	4460424	Connector, Male - 2 Position	1	
640	4460268	Pin, Female	5	
641	4460871	Socket, Female	28	
642 to 644	Not Used			
645	4460326	Connector, Male - 3 Position	1	
646	4460445	Connector, Female - 3 Position	1	
647 to 651	Not Used			
		STANDARD HARNESS COMPONENTS	Ref	
701	4922621	Tilt Indicator Harness	1	
701A	4460226	Pin	4	
701B	4460224	Connector, Female - 6 Position	1	
701C	4460227	Pin	4	
701D	4460225	Connector, Female - 6 Position	1	
701E	4460871	Socket, Female	4	
702	Not Used			
703	See Note	Pump Harness (Note: Not Available for Purchase.)	1	
703A	7007497	Plug (Pump End)	1	
703B	7007498	Plug (Engine Harness End)	1	
704	See Note	Controller Harness Assembly (Lift and Swing) (Note: Not Available for Purchase.)	1	
704A	7022819	Plug, Male - 8 Position (Natural)	1	
704B	4460871	Socket, Female	8	
705	See Note	Controller Harness/Circuit Board Assembly (Drive and Steer) (Note: Not Available for Purchase.)	1	
705A	7022825	Plug, Male - 8 Position (Black)	1	
705B	4460871	Socket, Female	7	
706	See Note	Ford Engine Harness (For replacement parts refer to Ford engine dealer (Ford EFI Engine Machines) (Note: Not Available for Purchase.)	1	

SECTION 7 ELECTRICAL

SECTION 7 ELECTRICAL

FIGURE 7-3. HARNESS COMPONENTS INSTALLATION (ADE SYSTEM) (SN 0300061927 TO SN 0300063909) (CONTINUED)

FIG & ITEM #	PART NUMBER	DESCRIPTION	QTY.	REV.
707	See Note	Dual Fuel Shut-Off Filter Harness (Note: Not Available for Purchase.)	1	
707A	7023679	Electrical Connector Kit (Includes [1] 2 Position Connector, 2 Pins & 2 Seals)	1	
		OPTIONAL HARNESS COMPONENTS	Ref	
801	4921928	4WS Valve Harness	1	
801A	4460268	Socket, Female	3	
801B	4460445	Connector, Female - 3 Position	1	
801C	4460499	Connector, DIN with Diode	2	
802	4921927	Jib Valve Harness (600SJ & 660SJ Only)	1	
802A	4460326	Plug, Male - 3 Position	1	
802B	4460267	Pin, Male	3	
802C	4460499	Connector, DIN with Diode	2	
803	0257887	Alarm Harness (Includes Alarm)	1	
803A	4460424	Plug, Male - 2 Position	1	
803B	4460268	Socket, Female	2	
804	0255917	Strobe Light Harness (Includes Strobe Light)	1	
804A	4460320	Connector, Female - 2 Position	1	
804B	4460267	Pin, Male	2	
805		AC to Platform Receptacle Components Options:		
	0256113	110V GFI Receptacle	Ref	1/A
	0257175	220V Receptacle	Ref	-/A
805A	0860038	Box, Switch	1	
805B		Receptacle Options:	1	
	4460346	110V GFI		
	4460125	220V		
805C		Shield, Cover Options:	1	
	4060700	110V GFI		
	4060092	220V		
805D		Plug, Male Options:	2	
	4460205	110V GFI		
	4460233	220V		
805E		Connector, Female Options:	2	
	4460134	110V GFI		
	4460701	220V		
805F		Harness-Receptacle Box to Boom Options:	1	
	4921801	110V		
	See Note	220V (Note: Not Available for Purchase.)		
	1060494	Cable, Electrical - 12/3	18in/47cm	
805G	4460071	Connector, Strain Relief	1	
806		Generator Electrical Components		
	4933158	110V	Ref	1/A
	4933162	220V	Ref	1/A
	3990010	Diode - 6 Amp (Not Shown)	1	
806A	4922483	Harness - On/Off Switch	1	
806B	4460320	Connector, Female - 2 Position	1	

SECTION 7 ELECTRICAL

SECTION 7 ELECTRICAL

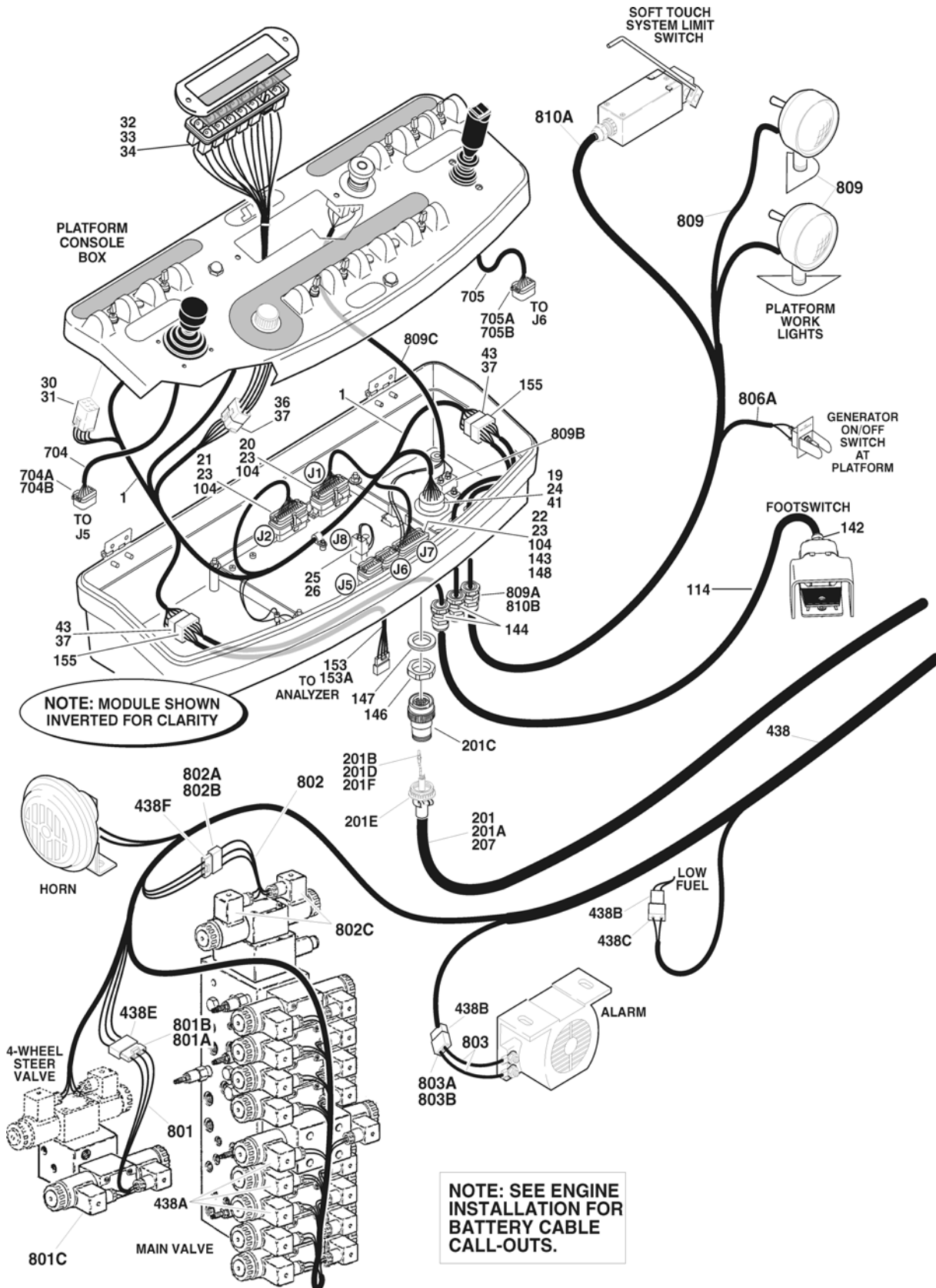
FIGURE 7-3. HARNESS COMPONENTS INSTALLATION (ADE SYSTEM) (SN 0300061927 TO SN 0300063909) (CONTINUED)

FIG & ITEM #	PART NUMBER	DESCRIPTION	QTY.	REV.
806C	4460267	Pin, Male	2	
806D	4460424	Plug, Male - 2 Position	1	
806E	4460268	Socket, Female	2	
806F	4922482	Powermite Control Box to Relay	1	
806G	4460027	Receptacle, Electrical (Industrial) (110V)	1	
	4460125	Receptacle, Electrical (220V)	1	
806H	4460190	Receptacle, Electrical (Standard) (110V)	1	
	4460125	Receptacle, Electrical (220V)	1	
807	4921827	Generator to Rear of Boom Harness (110V)	1	
	4921954	Generator to Rear of Boom Harness (220V)	1	
		Note: Harness used to connect AC at platform harness to generator receptacle to power platform receptacle.	Ref	
	1060494	Cable, Electrical - 12/3	26ft/8m	
807A	4460205	Plug, Male (110V)	1	
	4460233	Plug, Male (220V)	1	
807B	4460134	Receptacle, Female (110V)	1	
	4460701	Receptacle, Female (220V)	1	
808	See Note	Lights Harness (Note: Not Available for Purchase.)	1	
	1060341	Cable, Electrical - 16/2	37ft/11.3m	
808A	3740049	Relay	1	
808B	4922484	Harness, Bag (Located at Ground Control Box) (Not Shown)	1	
809	2920140	Platform Worklights Harness (Includes Light and Wire Only)	2	
	2820035	Loom, Vinyl	9ft/2.8m	
809A	4460598	Connector, Strain Relief	1	
809B	4360232	Circuit Breaker, 15Amp	1	
810	See Note	Soft-Touch System Harness (Note: Not Available for Purchase.)	1	
810A	1060341	Cable, Electrical - 16/3	16ft/4.9m	
810B	4460425	Connector, Strain Relief	1	
		TOOLS	Ref	
901	7002821	Crimper (For Wire to Pin/Socket Connections)	1	
902	7002823	Extractor (For Removal of Pin/Socket from Connectors)	1	
903	4460467	Extractor, Pin (Blue 16-18 Gauge) (For Removal of Pin/Socket from Connectors)	1	
	4460510	Extractor, Pin (Yellow 12-14 Gauge) (For Removal of Pin/Socket from Connectors)	1	
904	7002828	Stripper, Wire	1	
905	2901443	Analyzer Kit (Not Shown)	1	

SECTION 7 ELECTRICAL

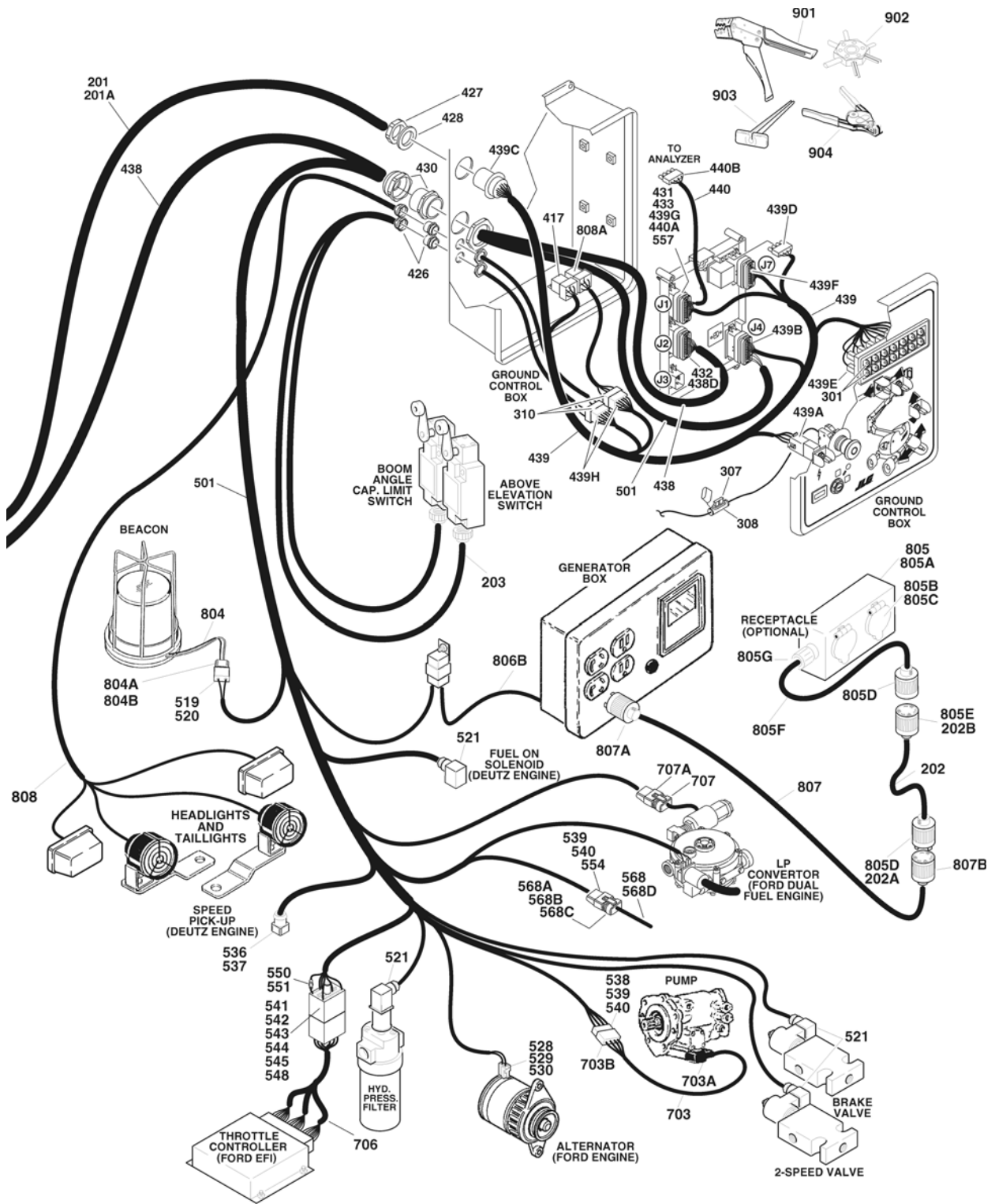
SECTION 7 ELECTRICAL

**FIGURE 7-4. HARNESS COMPONENTS INSTALLATION (ADE SYSTEM)
(SN 0300064499 TO SN 0300068000)**



SECTION 7 ELECTRICAL

SECTION 7 ELECTRICAL



SECTION 7 ELECTRICAL

SECTION 7 ELECTRICAL

FIGURE 7-4. HARNESS COMPONENTS INSTALLATION (ADE SYSTEM) (SN 0300064499 TO SN 0300068000)

FIG & ITEM #	PART NUMBER	DESCRIPTION	QTY.	REV.
		Note: SN 0300063910 to SN 0300064498 use either p/n 0861388 or p/n 0861477 platform console box. Determine appropriate console by the presence of (2) white 15 position connectors inside console box. If present, use Figure 7-13. If not present, use Figure 7-14.	Ref	
	4922639	PLATFORM BOX HARNESS ASSEMBLY	Ref	2/A
1	4922639	Harness, Console Box	1	
2 to 18	Not Used			
19	4460866	Terminal, 19 Pin Receptacle	1	
20	4460874	Connector - 35 Position (Natural)	1	
21	4460875	Connector - 35 Position (Gray)	1	
22	4460873	Connector - 35 Position (Black)	1	
23	4460871	Socket, Female	70	
24	4460464	Pin, Male (16 Gauge)	7	
25	4460879	Terminal, Housing 2 Position	1	
26	4460887	Terminal, (12 Gauge)	2	
27 to 29	Not Used			
30	4460418	Connector - 6 Position	8	
31	4460419	Terminal, Female	24	
32	4120035	Base, Light	12	
33 to 35	Not Used			
36	4460225	Connector - 6 Position	1	
37	4460227	Pin, Male	28	
38 to 40	Not Used			
41	4460508	Pin, Male (12 Gauge)	3	
42	Not Used			
43	4460434	Connector - 15 Position	2	
		PLATFORM BOX ASSEMBLY COMPONENTS	Ref	
101 to 103	Not Used			
104	0100048	Grease, Dielectric	AR	
105 to 113	Not Used			
114		Cable, Electrical - 18/3	8ft/2.4m	
115 to 141	Not Used			
142	4460071	Connector, Strain Relief	1	
143	4460226	Socket, Female	2	
144	4460428	Connector, Strain Relief	2	
145	Not Used			
146	4460470	Nut, Terminal	1	
147	4460471	Lockwasher, Terminal	1	
148	4460905	Seal, Plug	5	
149 to 152	Not Used			

SECTION 7 ELECTRICAL

SECTION 7 ELECTRICAL

FIGURE 7-4. HARNESS COMPONENTS INSTALLATION (ADE SYSTEM) (SN 0300064499 TO SN 0300068000) (CONTINUED)

FIG & ITEM #	PART NUMBER	DESCRIPTION	QTY.	REV.
153	4922666	Harness, Analyzer Cable	1	1/A
	4460226	Socket, Female (Not Shown - Located at J2)	4	
153A	4460761	Connector, Female - 4 Position	1	
	4460227	Pin, Male	4	
154	Not Used			
155	4460708	Terminal, 15 Pin Mate-N-Loc	2	
		BOOM CABLES INSTALLATION	Ref	
	0270733	600S - 2WS	Ref	3
	0270738	600SJ - 2WS	Ref	2
	0270736	660SJ - 2WS	Ref	2
	0272483	600S - 2WS (Sky Power) (7500W 60HZ)	Ref	1
	0272488	600SJ - 2WS (Sky Power) (7500W 60HZ)	Ref	1
	0272485	660SJ - 2WS (Sky Power) (7500W 60HZ)	Ref	1
201		Harness, Main Boom Options:	1	
	4922468	600S - 2WS		
	4922466	600SJ - 2WS		
	4922467	660SJ - 2WS		
201A	1060896	Cable Options:	AR	
		600S - 2WS	67ft/20.4m	
		600SJ - 2WS	69ft/21m	
		660SJ - 2WS	75ft/22.8m	
201B	4460465	Socket, Female - #16	22	
201C	4460865	Connector (19 Pin)	1	
201D	4460509	Socket, Female - #12	8	
201E	4460473	Clamp, Cable	1	
201F	4460466	Seal, Plug	4	
202		Cable, Electrical - 12/3 Options: (Does not include plug ends)	AR	
	1060494	600S - 2WS	69.5ft/21.2m	
	1060494	600SJ - 2WS	71ft/21.6m	
	1060494	660SJ - 2WS	77ft/23.5m	
	4922792	600S - 2WS (Sky Power) (7500W 60HZ)	1	
	4922790	600SJ - 2WS (Sky Power) (7500W 60HZ)	1	
	4922791	660SJ - 2WS (Sky Power) (7500W 60HZ)	1	
202A	4460205	Plug, Male (110V)	1	
202B	4460134	Connector, Female (110V)	1	
203	1060680	Cable, Electrical - 18/2 Boom Length	AR	
		600S - 2WS	55.5ft/16.9m	
		600SJ/660SJ - 2WS	15ft/4.6m	
204 to 206	Not Used			
207		Sleeve, Nylon Options: (Not Shown)	AR	
	4100026	600S - 2WS	10ft/3.0m	
	Not Required	600SJ/660SJ - 2WS		

SECTION 7 ELECTRICAL

SECTION 7 ELECTRICAL

FIGURE 7-4. HARNESS COMPONENTS INSTALLATION (ADE SYSTEM) (SN 0300064499 TO SN 0300068000) (CONTINUED)

FIG & ITEM #	PART NUMBER	DESCRIPTION	QTY.	REV.
		GROUND CONTROL BOX DIAGRAMS	Ref	
	4933222	Deutz Engine	Ref	2/B
	4933221	Ford EFI Engine	Ref	2/B
301	2920129	Bulb, Light	6	
302 to 306	Not Used			
307	2400065	Fuse, 30Amp	1	
308	2400066	Fuse, Holder W/Cover	1	
309	Not Used			
310	4460708	Receptacle, Female - 15 Position	2	
	4460226	Socket, Female	13	
	4922637	Harness, Jumper (Not Shown)	1	
	4922636	Harness, Jumper (Not Shown)	1	
		GROUND CONTROL BOX COMPONENTS	Ref	
401 to 416	Not Used			
417	3740049	Relay	1	
418 to 425	Not Used			
426	4460426	Connector, Strain Relief	2	
427	4460470	Nut, Terminal	1	
428	4460471	Lockwasher, Terminal	1	
429	Not Used			
430	4460526	Connector, Strain Relief	1	
431	4460874	Connector (Natural)	1	
432	4460875	Connector (Gray)	1	
433	4460905	Connector, Amp Seal Plug	4	
434 to 436	Not Used			
437		Engine Harness Assembly (Not Shown - See 501 to 568 for Breakdown)		
	4922515	Deutz Engine Machines	1	
	4922514	Ford Engine Machines with EFI	1	
438	4922513	Valve Harness Assembly	1	3/D
438A	4460880	Connector, DIN	15	
438B	4460320	Connector, Female- 2 Position	2	
	4460267	Pin, Male	5	
438C	4460424	Connector, Male- 2 Position	1	
	4460268	Pin, Female	5	
438D	4460871	Socket, Female	AR	
438E	4460326	Connector, Male - 3 Position	1	
	4460267	Pin, Male	7	
438F	4460445	Connector, Female - 3 Position	1	
	4460268	Pin, Female	5	
439	4922648	Ground Control Box Harness Assembly	1	2/B
439A	4460418	Connector, Female- 6 Position	7	
	4460419	Socket, Female	21	

SECTION 7 ELECTRICAL

SECTION 7 ELECTRICAL

FIGURE 7-4. HARNESS COMPONENTS INSTALLATION (ADE SYSTEM) (SN 0300064499 TO SN 0300068000) (CONTINUED)

FIG & ITEM #	PART NUMBER	DESCRIPTION	QTY.	REV.
439B	4460876	Connector, 35- Position	1	
	4460871	Socket, Female	AR	
	4460905	Seal, Plug	2	
439C	4460866	Connector - 19 Pin	1	
	4460464	Pin, Male Deutsch (16 Gauge)	7	
439D	4460878	Housing, Terminal- 4 Position	1	
	4460887	Terminal (12 Gauge)	3	
439E	4120035	Base, Light	6	
	4460634	Terminal (16 Gauge)	7	
439F	4460873	Connector, 35- Position (Black)	1	
	4460871	Socket, Female	AR	
	4460635	Terminal (12 Gauge)	5	
439G	4460871	Socket, Female	AR	
439H	4460434	Plug, Male 15- Position	2	
	4460227	Pin	AR	
439I	3990010	Diode - 6 Amp (Not Shown)	2	
440	4922666	Cable, Analyzer	1	1/A
440A	4460226	Socket, Female	4	
440B	4460761	Connector, Female 4- Position	1	
	4460227	Pin, Male	4	
441		Ground Control Box Wiring Diagram (Not Shown - See Items 301 to 310 for Breakdown)	1	
	4933222	Deutz Engine		
	4933221	Ford Engine with EFI		
		ENGINE HARNESS ASSEMBLY	Ref	
	4922515	DEUTZ ENGINE	Ref	5/E
	4922514	FORD ENGINE - LRG425 With EFI	Ref	6/F
501		Harness, Assembly Options:	1	
	4922515	Deutz Engine		
	4922514	Ford Engine - LRG425 With EFI		
502 to 518	Not Used			
519	4460424	Receptacle, Female - 2 Position	1	
520	4460268	Socket, Female	2	
521	4460880	DIN Connector without Diode	AR	
522 to 527	Not Used			
528	4460582	Terminal (Ford Engine Only)	3	
529	4460580	Lock, Terminal (Ford Engine Only)	1	
530	4460579	Housing - 3 Position (Ford Engine Only)	1	
531 to 535	Not Used			
536	4460890	Housing - 2 Position (Deutz Engine Only)	1	
537	4460889	Terminal (Deutz Engine Only)	2	
538	4460460	Connector, Male - 4 Position	1	
539	4460457	Terminal, Female	AR	
540	4460458	Seal, Terminal	AR	
541	4460713	Connector, Housing 42 Position (LRG425 With EFI Only)	1	

SECTION 7 ELECTRICAL

SECTION 7 ELECTRICAL

FIGURE 7-4. HARNESS COMPONENTS INSTALLATION (ADE SYSTEM) (SN 0300064499 TO SN 0300068000) (CONTINUED)

FIG & ITEM #	PART NUMBER	DESCRIPTION	QTY.	REV.
542	4460725	Connector Wedge Lock, Center (LRG425 With EFI Only)	1	
543	4460726	Connector Wedge Lock, Side (LRG425 With EFI Only)	2	
544	4460800	Connector, Plug (LRG425 With EFI Only)	29	
545	4460799	Pin, Male (LRG425 With EFI Only)	7	
546 to 547	Not Used			
548	4460728	Pin, Male (LRG425 With EFI Only)	3	
549	Not Used			
550	2400061	Fuse (LRG425 With EFI Only)	2	
551	2400060	Holder, Fuse (LRG425 With EFI Only)	2	
552 to 553	Not Used			
554	4460742	Connector, Male - 2 Position (LRG425 With EFI Only)	1	
555 to 556	Not Used			
557	4460871	Socket, Female	AR	
558 to 566	Not Used			
567	2400065	Fuse, 30Amp (SN 0300073350 to Present) (Ford Engine Only)	1	
568	3730120	Resistor Assembly (SN 0300073350 to Present) (Ford Engine Only)	1	
568A	4460978	Receptacle, Male - 2 Position	1	
568B	4460979	Pin, Male	2	
568C	4460458	Seal, Terminal	2	
568D	3730121	Resistor	1	
	4922513	VALVE HARNESS ASSEMBLY	Ref	3/D
601	4922513	Harness, Assembly	1	
602 to 635	Not Used			
636	4460880	DIN Connector	15	
637	4460320	Connector, Female - 2 Position	2	
638	4460267	Pin, Male	5	
639	4460424	Connector, Male - 2 Position	1	
640	4460268	Pin, Female	5	
641	4460871	Socket, Female	28	
642 to 644	Not Used			
645	4460326	Connector, Male - 3 Position	1	
646	4460445	Connector, Female - 3 Position	1	
647 to 651	Not Used			
		STANDARD HARNESS COMPONENTS	Ref	
701 to 702	Not Used			
703	See Note	Pump Harness (Note: Not Available for Purchase.)	1	
703A	7007497	Plug (Pump End)	1	
703B	7007498	Plug (Engine Harness End)	1	

SECTION 7 ELECTRICAL

SECTION 7 ELECTRICAL

FIGURE 7-4. HARNESS COMPONENTS INSTALLATION (ADE SYSTEM) (SN 0300064499 TO SN 0300068000) (CONTINUED)

FIG & ITEM #	PART NUMBER	DESCRIPTION	QTY.	REV.
704	See Note	Controller Harness Assembly (Lift and Swing) (Note: Not Available for Purchase.)	1	
704A	7022819	Connector, Male - 9 Position	1	
704B	7022820	Socket, Female	8	
705	Not Available	Controller Harness/Circuit Board Assembly (Drive and Steer)	1	
705A	7022825	Connector, Female - 9 Position	1	
705B	7022820	Socket, Female	7	
706	See Note	Ford Engine Harness (For replacement parts refer to Ford engine dealer (Ford EFI Engine Machines) (Note: Not Available for Purchase.)	1	
707	See Note	Dual Fuel Shut-Off Filter Harness (Note: Not Available for Purchase.)	1	
707A	7023679	Electrical Connector Kit (Includes [1] 2 Position Connector, 2 Pins & 2 Seals)	1	
OPTIONAL HARNESS COMPONENTS			Ref	
801	4921928	4WS Valve Harness	1	
801A	4460268	Socket, Female	3	
801B	4460445	Connector, Female - 3 Position	1	
801C	4460499	Connector, DIN with Diode	2	
802	4921927	Jib Valve Harness (600SJ & 660SJ Only)	1	
802A	4460326	Plug, Male - 3 Position	1	
802B	4460267	Pin, Male	3	
802C	4460499	Connector, DIN with Diode	2	
803	0257887	Alarm Harness (Includes Alarm)	1	
803A	4460424	Plug, Male - 2 Position	1	
803B	4460268	Socket, Female	2	
804	0255917	Strobe Light Harness (Includes Strobe Light)	1	
804A	4460320	Connector, Female - 2 Position	1	
804B	4460267	Pin, Male	2	
805		AC to Platform Receptacle Components Options:		
	0256113	110V GFI Receptacle	Ref	2
	0257175	220V Receptacle	Ref	2
805A	0860038	Box, Switch	1	
805B		Receptacle Options:	1	
	4460346	110V GFI		
	4460125	220V		
805C		Shield, Cover Options:	1	
	4060700	110V GFI		
	4060092	220V		
805D		Plug, Male Options:	2	
	4460205	110V GFI		
	4460233	220V		
805E		Connector, Female Options:	2	
	4460134	110V GFI (Prior to SN 0300065780)		
	4460701	220V		

SECTION 7 ELECTRICAL

SECTION 7 ELECTRICAL

FIGURE 7-4. HARNESS COMPONENTS INSTALLATION (ADE SYSTEM) (SN 0300064499 TO SN 0300068000) (CONTINUED)

FIG & ITEM #	PART NUMBER	DESCRIPTION	QTY.	REV.
805F	4921801	Harness-Receptacle Box to Boom Options:	1	
	See Note	110V (Prior to SN 0300065780)		
	1060494	220V (Note: Not Available for Purchase.)		
		Cable, Electrical - 12/3	18in/47cm	
805G	4460071	Connector, Strain Relief	1	
806		Generator Electrical Components		
	4933215	110V	Ref	1/A
	4933216	220V	Ref	1/A
	3990010	Diode - 6 Amp (Not Shown)	1	
806A	4922641	Harness - On/Off Switch	1	
806B	4922482	Harness - Powermite Control Box to Relay	1	
807	4921827	Generator to Rear of Boom Harness (110V)	1	
	4921954	Generator to Rear of Boom Harness (220V)	1	
		Note: Harness used to connect AC at platform harness to generator receptacle to power platform receptacle.	Ref	
	1060494	Cable, Electrical - 12/3	26ft/8m	
807A	4460205	Plug, Male (110V)	1	
	4460233	Plug, Male (220V)	1	
807B	4460134	Receptacle, Female (110V)	1	
	4460701	Receptacle, Female (220V)	1	
808	See Note	Lights Harness (Note: Not Available for Purchase.)	1	
	1060341	Cable, Electrical - 16/2	37ft/11.3m	
808A	3740049	Relay	1	
808B	4922643	Harness, Bag (Located at Ground Control Box) (Not Shown)	1	
809	2920140	Platform Worklights Harness (External) (Includes Light and Wire Only)	2	
	2820035	Loom, Vinyl	9ft/2.8m	
809A	4460598	Connector, Strain Relief	1	
809B	4360232	Circuit Breaker, 15Amp	1	
809C	4922498	Platform Worklights Harness (Internal)	1	
809D	4460871	Socket, Female	3	
810	See Note	Soft-Touch System Harness (Note: Not Available for Purchase.)	1	
810A	1060341	Cable, Electrical - 16/3	16ft/4.9m	
810B	4460425	Connector, Strain Relief	1	
		TOOLS	Ref	
901	7002821	Crimper (For Wire to Pin/Socket Connections)	1	
902	7002823	Extractor (For Removal of Pin/Socket from Connectors)	1	
903	4460467	Extractor, Pin (Blue 16-18 Gauge) (For Removal of Pin/Socket from Connectors)	1	
	4460510	Extractor, Pin (Yellow 12-14 Gauge) (For Removal of Pin/Socket from Connectors)	1	
904	7002828	Stripper, Wire	1	
905	2901443	Analyzer Kit (Not Shown)	1	

SECTION 8 DECALS

TABLE OF CONTENTS		
FIGURE	DESCRIPTION	PAGE
8-1	DECALS INSTALLATION - STANDARD	8-2
8-2	DECALS INSTALLATION - COUNTRY SPEC	8-6

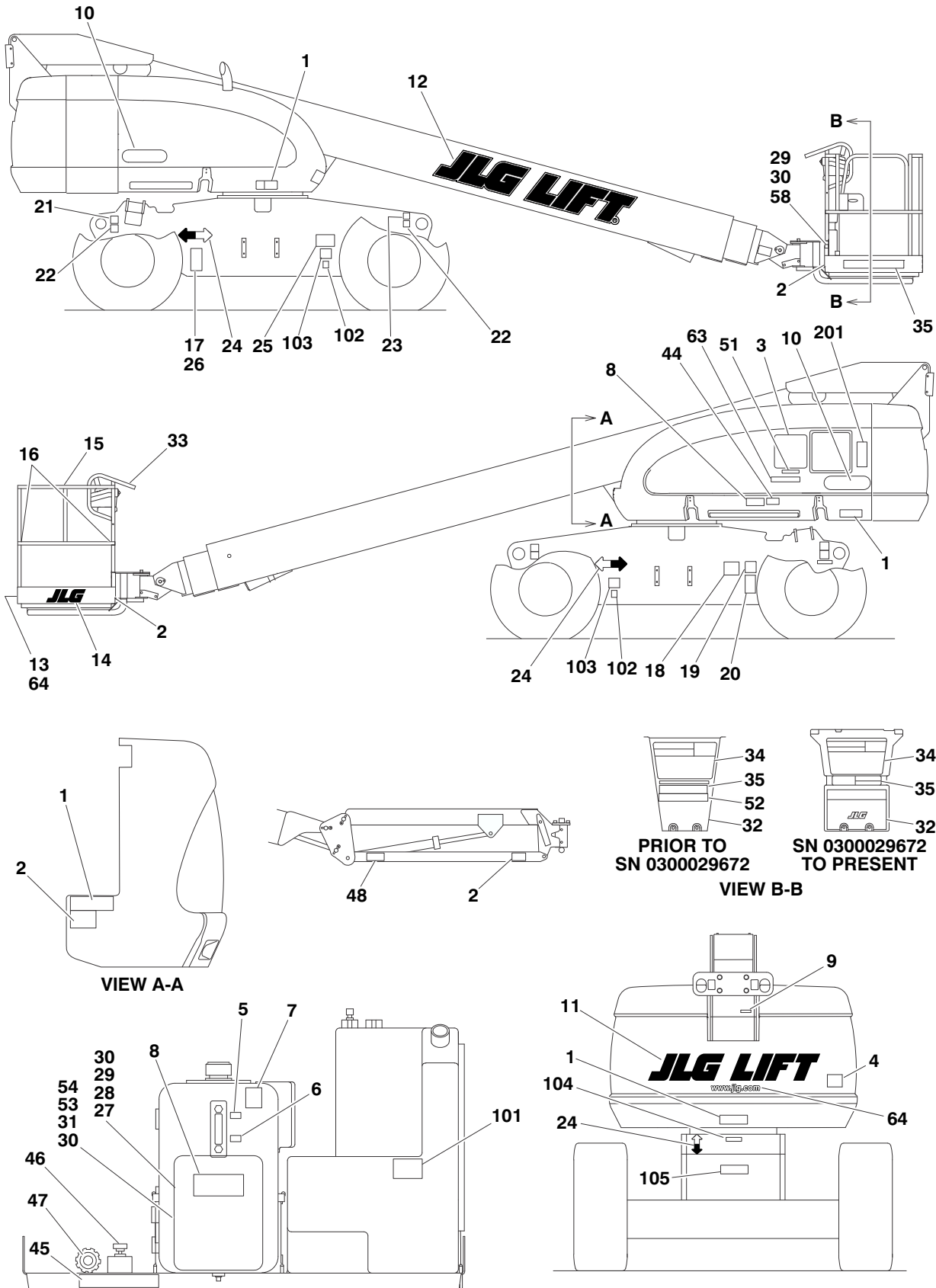
**S
E
C
T
I
O
N

8

D
E
C
A
L
S**

SECTION 8 DECALS

FIGURE 8-1.DECALS INSTALLATION - STANDARD



SECTION 8 DECALS

SECTION 8 DECALS

FIGURE 8-1. DECALS INSTALLATION - STANDARD

FIG & ITEM #	PART NUMBER	DESCRIPTION	QTY.	REV.
		STANDARD DECAL INSTALLATIONS	Ref	
	0271014	Decal - JLG	Ref	1
	0255329	Standard - 600S	Ref	11
	0255333	Standard - 600SJ	Ref	11
	0255331	Standard - 660SJ	Ref	11
	0259328	CSA - 600S (SN 0300044571 to SN 0300068000)	Ref	6
	0259329	CSA - 600SJ (SN 0300044571 to SN 0300068000)	Ref	6
	0259330	CSA - 660SJ (SN 0300044571 to SN 0300068000)	Ref	7
1		Decal - Danger/Electrocution Options:	4	
	1702292*+	Standard (Prior to SN 0300041296)		
	1703805	Standard (SN 0300041296 to SN 0300068000)		
	1703936	CSA		
2		Decal - Warning/Crushing Options:	3	
	1702284*+	Standard (Prior to SN 0300041296)		
	1703804	Standard (SN 0300041296 to SN 0300068000)		
	1703948	CSA		
3		Decal - Danger/Warning Options:	1	
	1702783*+	Standard (Prior to SN 0300041296)		
	1703798	Standard (SN 0300041296 to SN 0300068000)		
	1703930	CSA		
4	3251813*+	Decal - USA	1	
5	1701502*+	Decal - High Oil Level	1	
6	1701503*+	Decal - Low Oil Level	1	
7	1701504*+	Decal - Hydraulic Oil	1	
8	1701509*+	Decal - Manual	2	
9		Nameplate Options:	1	
	3251243*+	120V-60Hz		
	3252507	220V-50/60Hz		
10		Decal - Model Options:	2	
	1702815*	600S		
	1702816	600SJ		
	1702817+	660SJ		
11	1702861*+	Decal - JLG Lift (8in)	1	
12	1702862*+	Decal - JLG Lift (12in)	1	
13	1702774*+	Decal - JLG Lift (3-1/2in)	1	
14	1702773*+	Decal - JLG (5in)	2	
15		Decal - No Hands Options:	2	
	1702868*+	Standard		
	1704000	CSA		
16		Decal - Attach Lanyard Here Options:	4	
	1702612*+	Standard (Prior to SN 0300061066)		
	1704277	Standard (SN 0300061066 to SN 0300068000)		
	1704003	CSA (Prior to SN 0300061066)		
	1704277	CSA (SN 0300061066 to SN 0300068000)		
17	See Note	Nameplate - Serial Number (Note: Not Available for Purchase.)	1	

SECTION 8 DECALS

FIGURE 8-1. DECALS INSTALLATION - STANDARD (CONTINUED)

FIG & ITEM #	PART NUMBER	DESCRIPTION	QTY.	REV.
18		Decal - Inspection Options:	1	
	1702153*+	Standard		
	1704006	CSA	1	
19	See Note	Decal - Bar Code (Note: Not Available for Purchase.)	1	
20	1700584*+	Decal - Patent	1	
21	1701499*+	Decal - No Tie Down /Lift	2	
22	1702300*+	Decal - Tie Down /Lift	4	
23	1701500*+	Decal - Tie Down /Lift	2	
24	1701529*+	Decal- Arrow	4	
25	1702282*+	Decal - Warning (Prior to SN 0300041296)	1	
26	3820001	Rivet	4	
27	0641408	Bolt 1/4in-20NC x 1in	4	
28	1060279	Cable, Lanyard	1	
29	3311405	Locknut 1/4in-20NC	7	
30	4751400	Flatwasher 1/4in	10	
31	0860520	Box, Manual Storage	1	
32		Panel, Pedestal Options:	1	
	See Note	Metal - Prior to SN 0300029672 (Note: Replace original p/n 3380423 with p/n 3380434)		
	3380434	Poly - SN 0300029672 to SN 0300068000		
33		Decal - Legend Options:	1	
	1702784*+	Standard		
	1702784	CSA		
34		Decal - Danger/Warning Options:	1	
	1702785*+	Standard (Prior to SN 0300041296)		
	1703797	Standard (SN 0300041296 to SN 0300068000)		
	1703924	CSA		
35		Decal - 500LBS Max Capacity Options:	2	
	1702786	Standard - 600S (Prior to SN 0300029672)		
	1703181*	Standard - 600S (SN 0300029672 to SN 0300068000)		
	1701645+	Standard - 600SJ & 660SJ		
	1704099	CSA (600S)		
	1703996	CSA (600SJ & 660SJ)		
36 to 43	Not Used			
44		Decal - Manual Descent Options:	1	
	1702901*+	Standard		
	1704116	CSA		
45		Decal - Manual Descent Options:	1	
	1702902*+	Standard		
	1704269	CSA		
46	1702903*+	Decal - Manual Descent	1	
47	1702904*+	Decal - Manual Descent	1	
48		Decal - Manual Descent Options:	1	
	1702908	Standard		
	1704270	CSA		
49 to 50	Not Used			

SECTION 8 DECALS

SECTION 8 DECALS

FIGURE 8-1. DECALS INSTALLATION - STANDARD (CONTINUED)

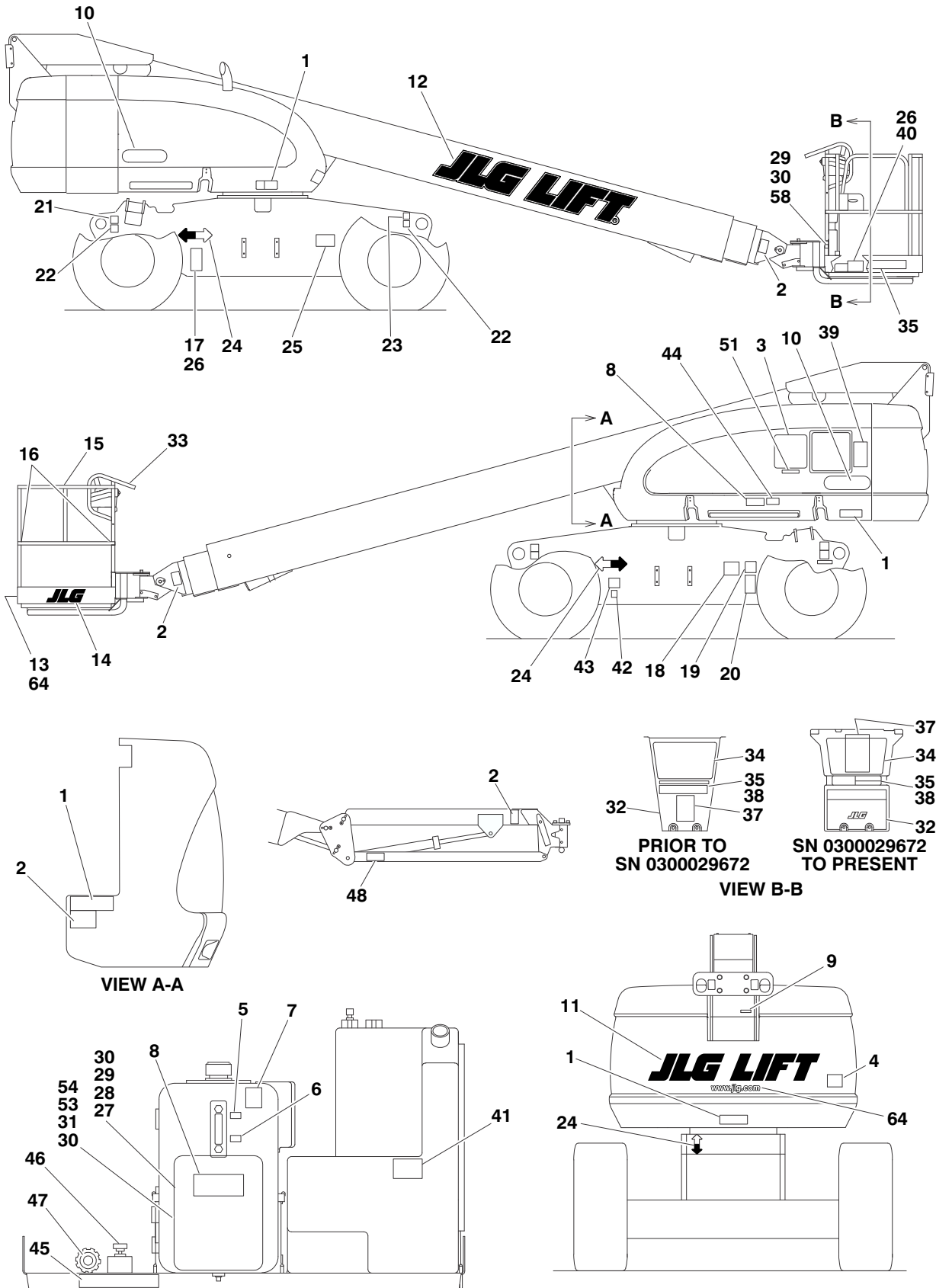
FIG & ITEM #	PART NUMBER	DESCRIPTION	QTY.	REV.
51	1702966*	Decal - 500LBS Max Capacity Options: Standard (600S)	1	
	1702688+	Standard (600SJ & 660SJ)		
	1704107	CSA (600S)	1	
	1702688	CSA (600SJ & 660SJ)	1	
52	1702965	Decal - 500LBS Max Capacity Options: 600S (Prior to SN 0300029672 Only)	1	
	Not Required	600S (SN 0300029672 to SN 0300068000)		
	Not Required	600SJ & 660SJ		
53	0641406	Bolt 1/4in-20NC x 3/4in	4	
54	0100011	Compound, Locking	AR	
55 to 57	Not Used			
58	0641414	Bolt 1/4in-20NC x 1-3/4in	2	
59 to 62	Not Used			
63	1703808	Decal - Legend (SN 0300041296 to SN 0300068000)	1	
64	1704885	Decal - Website (SN 0300057135 to SN 0300068000)	2	
	2900967*	Decal Kit - 600S (Includes Items with *artrisk)	1	
	2900970+	Decal Kit - 660SJ (Includes Items with +plus)	1	

		DECAL INSTALLATION (OPTIONAL PARTS)	Ref	
101		Decal - Fuel	1	
	1701542	Ford Engine Machines		
	1701505	Deutz & Isuzu Engine Machines		
102		Decal - LP Gas Options (Gas Machines Only):	1	
	1701543	ANSI Dual Fuel Machines		
	1704271	CSA LP Gas Machines		
	1703911	UL Machines with LP Only		
103	1700818	Decal - LP Gas Liquid Withdrawal System (Dual Fuel Machines Only)	1	
104		Nameplate - Steer/Tow Selection (Machines with Tow Package Only) Options:	1	
	3250872	Standard	1	
	1704272	CSA		
105		Decal - Tow Instructions Options: (Machines with Tow Package Only)	1	
	1702305	Standard - 2WD		
	1704273	CSA - 2WD		
	1703403	Standard - 4WD		
	1704276	CSA - 4WD)		
	0272341	DECAL INSTALLATION TIRE SEALANT	Ref	1
201	1705363	Decal - Tire Sealant Large	1	

SECTION 8 DECALS

SECTION 8 DECALS

FIGURE 8-2.DECAL INSTALLATION - COUNTRY SPEC



SECTION 8 DECALS

SECTION 8 DECALS

FIGURE 8-2. DECAL INSTALLATION - COUNTRY SPEC

FIG & ITEM #	PART NUMBER	DESCRIPTION	QTY.	REV.
		DECAL INSTALLATIONS	Ref	
	0255330	600S Common Parts	Ref	8
	0255334	600SJ Common Parts	Ref	7
	0255332	660SJ Common Parts	Ref	8
	0257493	600S Brazilian Spec Parts	Ref	3
	0257494	600SJ & 660SJ Brazilian Spec Common Parts	Ref	3
	0256258	600S Japanese Spec Parts	Ref	1
	0256575	600SJ & 660SJ Japanese Spec Common Parts	Ref	1
	0256673	600S Latin American Spanish Spec Parts	Ref	10
	0256663	600SJ Latin American Spanish Spec Parts	Ref	5
	0256672	660SJ Latin American Spanish Spec Parts	Ref	6
1	Not Required	Decal - Electrocutation Options: Brazilian Spec & Japanese Spec	AR 0	
	1702585	Latin American Spec	4	
2	1701518	Decal - Crushing Options: Brazilian Spec & Japanese Spec	3	
	1702583	Latin American Spec		
3	Not Required	Decal - Danger/Warning Options: Brazilian Spec & Japanese Spec	AR 0	
	1702971	Latin American Spec	1	
4	Not Required	Decal - USA Options: Brazilian Spec & Japanese Spec	AR 0	
	3251813	Latin American Spec	1	
5	1701502	Decal - High Oil Level	1	
6	1701503	Decal - Low Oil Level	1	
7	1701504	Decal - Hydraulic Oil	1	
8	1701509	Decal - Manual	2	
9	Not Required	Decal - AC to Platform Options: Brazilian Spec & Japanese Spec	AR 0	
	1703453	Latin American Spec	1	
10	1702815	Decal - Model Designation Options: 600S	2	
	1702816	600SJ		
	1702817	660SJ		
11	1702861	Decal - JLG Lift (8in)	1	
12	1702862	Decal - JLG Lift (12in)	1	
13	1702774	Decal - JLG Lift (3-1/2in)	1	
14	1702773	Decal - JLG (5in)	2	
15	1703899	Decal - No Hands Options: Brazilian Spec (SN 0300037925 to SN 0300068000)	AR 2	
	Not Required	Japanese Spec	0	
	1702975	Latin American Spec	1	

SECTION 8 DECALS

SECTION 8 DECALS

FIGURE 8-2. DECAL INSTALLATION - COUNTRY SPEC (CONTINUED)

FIG & ITEM #	PART NUMBER	DESCRIPTION	QTY.	REV.
16		Decal - Attach Lanyard Here Options:	AR	
	1703900	Brazilian Spec (SN 0300037925 to SN 0300061066)	4	
	1704277	Latin American Spec (SN 0300061066 to SN 0300068000)	4	
	Not Required	Japanese Spec	0	
	1702690	Latin American Spec (Prior to SN 0300061066)	1	
	1704277	Latin American Spec (SN 0300061066 to SN 0300068000)	1	
17	See Note	Nameplate - Serial Number (Note: Not Available for Purchase.)	1	
18		Decal - Inspection Options:	AR	
	See Note	Brazilian Spec & Japanese Spec (Note: Not Available for Purchase.)	0	
	1702552	Latin American Spec	1	
19	See Note	Decal - Bar Code (Note: Not Available for Purchase.)	1	
20		Decal - Patent Options:	1	
	1700584	Brazilian Spec & Japanese Spec		
	1702573	Latin American Spec		
21	1701499	Decal - No Tie Down /Lift	2	
22	1702300	Decal - Tie Down /Lift	4	
23	1701500	Decal - Tie Down /Lift	2	
24	1701529	Decal- Arrow	4	
25		Decal - Warning Options:	AR	
	Not Required	Brazilian Spec & Japanese Spec	0	
	1702581	Latin American Spec	1	
26	3820001	Rivet	AR	
27	0641408	Bolt 1/4in-20NC x 1in	1	
28	1060279	Cable, Lanyard	1	
29	3311405	Locknut 1/4in-20NC	7	
30	4751400	Flatwasher 1/4in	10	
31	0860520	Box, Manual Storage	1	
32		Panel, Pedestal Options:	1	
	See Note	Metal - Prior to SN 0300029672 (Note: Replace original p/n 3380423 with p/n 3380434)		
	3380434	Poly - SN 0300029672 to SN 0300068000		
33		Decal - Legend Options:	AR	
	Not Required	Brazilian Spec & Japanese Spec	0	
	1702972	Latin American Spec	1	
34		Decal - Danger/Warning Options:	AR	
	Not Required	Brazilian Spec & Japanese Spec	0	
	1702973	Latin American Spec	1	

SECTION 8 DECALS

SECTION 8 DECALS

FIGURE 8-2. DECAL INSTALLATION - COUNTRY SPEC (CONTINUED)

FIG & ITEM #	PART NUMBER	DESCRIPTION	QTY.	REV.
35	Not Required	Decal - Maximum Capacity Options:	AR	
	1702974	Brazilian Spec & Japanese Spec	0	
	1702974	Latin American Spec - 600SJ/660SJ	2	
	1704100	Latin American Spec - 600S (Prior to SN 0300053547) Latin American Spec - 600S (SN 0300053547 to SN 0300068000)	1 2	
36	Not Used			
37	Not Required	Nameplate - Capacity Options:	AR	
	1703536	Brazilian Spec	1	
	1701924	Japanese Spec	1	
	Not Required	Latin American Spec	0	
38	Not Required	Nameplate - Caution Options:	AR	
	1703538	Brazilian Spec	1	
	1703188	Japanese Spec	1	
	Not Required	Latin American Spec	0	
39	Not Required	Nameplate - Caution Options:	AR	
	1703548	Brazilian Spec	1	
	1701923	Japanese Spec	1	
	Not Required	Latin American Spec	0	
40	Not Required	Decal - Footswitch Options:	1	
	3252540	Brazilian Spec		
	3252220	Japanese Spec		
	3252489	Latin American Spec		
41	Not Required	Decal - Fuel Options:	1	
	1701505	Diesel		
	1701542	Gas		
42	1701543	Decal - LP Gas (Dual Fuel Machines Only)	1	
43	Not Required	Decal - Liquid Withdrawal System Options: (Dual Fuel Machines Only)	AR	
	Not Required	Brazilian Spec & Japanese Spec	0	
	1702720	Latin American Spec	1	
44	Not Required	Decal - Manual Descent Options:	1	
	1703543	Brazilian Spec		
	1703004	Japanese Spec		
	1702976	Latin American Spec		
45	Not Required	Decal - Manual Descent Options:	1	
	1703542	Brazilian Spec		
	1703005	Japanese Spec		
	1702977	Latin American Spec		
46	1702903	Decal - Manual Descent #1	1	
47	1702904	Decal - Manual Descent #2	1	
48	Not Required	Decal - No Hands Options: (600SJ & 660SJ Only)	1	
	1703541	Brazilian Spec		
	1703006	Japanese Spec		
	1702978	Latin American Spec		
49 to 50	Not Used			

SECTION 8 DECALS

SECTION 8 DECALS

FIGURE 8-2. DECAL INSTALLATION - COUNTRY SPEC (CONTINUED)

FIG & ITEM #	PART NUMBER	DESCRIPTION	QTY.	REV.
51	Not Required	Decal - Capacity Options:	AR	
	1703097	Brazilian Spec & Japanese Spec	0	
	1704108	Latin American Spec (Prior to SN 0300053547)	1	
		Latin American Spec (SN 0300053547 to SN 0300068000)	1	
52	Not Used			
53	0641406	Bolt 1/4in-20NC x 3/4in	4	
54	0100011	Compound, Locking	AR	
55 to 57	Not Used			
58	0641414	Bolt 1/4in-20NC x 1-3/4in	2	
59 to 63	Not Used			
64	1704885	Decal - Website (SN 0300057135 to SN 0300068000)	2	
	2900937	----- Decal Kit - Brazilian Spec & Japanese Spec (Includes Items 1-16, 20-24, 46,47 & 57)	1	
	2910045	Decal Kit - Brazilian Spec with Ear (Includes Items 15,16, 37-40, 44,45 & 48)	1	

SECTION 8 DECALS

SECTION 9 RECOMMENDED SERVICE PARTS STOCK

MODELS 600S/600SJ/660SJ

The following list will service fleets of machines (built to current production per date on the front cover) with emergency repair parts which can be installed in the field. Parts from the list should be replaced when inventory is depleted to keep service parts stock supplied. For further information, contact your JLG dealer or the JLG Industries Parts Department.

JLG PART NUMBER	DESCRIPTION	QTY PER FLEET		
		1-10	10-20	20 OR MORE
STANDARD PARTS				
7012944	Coil	1	1	1
2120150	Element Filter	4	8	12
7016312	Switch, Indicator	1	1	1
2120149	Element, Filter	1	1	1
7016313	Switch, Indicator	1	1	1
7012772	Coil	1	1	1
70000580	Coil	1	1	1
7012664	Element, Air Cleaner	1 Dozen	1 Dozen	1 Dozen
3740067	Relay	1	1	1
4360392	Switch, Indicator	1	1	1
4360294	Breaker, Circuit	1	1	1
7014811	Breather, Hydraulic Tank	1	2	3
4360328	Switch, Toggle	1	1	1
4360469	Switch, Key	1	1	1
2860030	Key, Replacement	1	1	1
4360475	Switch, Mushroom	1	1	1
3740049	Relay	1	1	1
4360331	Switch, Toggle	1	1	1
4360387	Switch, Push Button	1	1	1
4360336	Switch, Toggle	1	1	1
4360232	Breaker, Circuit	1	1	1
1001129555	Controller (Lift and Swing)	1	1	1
1001118416	Controller (Drive and Steer)	1	1	1
2400065	Fuse, 30Amp	2	2	2
3990010	Diode	2	2	2
VARIABLE PARTS				
7016324	Filter, Fuel (Continental Engine Machines)	1 Dozen	1 Dozen	1 Dozen
7016340	Filter, Oil (Continental Engine Machines)	1 Dozen	1 Dozen	1 Dozen
7016328	Filter, Fuel (Deutz Engine Machines)	1 Dozen	1 Dozen	1 Dozen
7016331	Filter, Oil (Deutz Engine Machines)	1 Dozen	1 Dozen	1 Dozen
7016601	Filter, Fuel (Ford Engine Machines)	1 Dozen	1 Dozen	1 Dozen
7022135	Filter, Fuel (Ford Engine Machines)	1 Dozen	1 Dozen	1 Dozen
7021869	Filter, Oil (Ford Engine Machines)	1 Dozen	1 Dozen	1 Dozen
7023641	Filter, Fuel (Isuzu Engine Machines)	1 Dozen	1 Dozen	1 Dozen
7023634	Filter, Oil (Isuzu Engine Machines)	1 Dozen	1 Dozen	1 Dozen
70002005	Powertrack Repair Section (Gortrac Brand)	1	1	1
7016530	Power Track - Repair Section (Gemco Brand)	2	2	2
7006138	Power Track - Pin Kit (Gemco Brand)	24	24	24
2940074	Latch	1	1	1

SECTION 9 RECOMMENDED SERVICE PARTS STOCK

MODELS 600S/600SJ/660SJ

The following list will service fleets of machines (built to current production per date on the front cover) with emergency repair parts which can be installed in the field. Parts from the list should be replaced when inventory is depleted to keep service parts stock supplied. For further information, contact your JLG dealer or the JLG Industries Parts Department.

JLG PART NUMBER	DESCRIPTION	QTY PER FLEET		
		1-10	10-20	20 OR MORE

SECTION 10 SPECIAL OPTIONS

Note: This list is to accommodate machines ordered with special equipment. Options may not be applicable to all models. For more specific parts information contact JLG Parts Department.

FIG & ITEM #	PART NUMBER	DESCRIPTION	QTY.	REV.
10-1		MISCELLANEOUS SPECIAL OPTIONS	Ref	
		Airline to Platform Installation Options:	Ref	
	0255388	1/2in 600S & 600SJ	Ref	
	0255389	1/2in 660SJ	Ref	
	0255400	Alternator Installation - Enclosed	Ref	
	0270723	Beacon Light Installation (On Platform)	Ref	
	0270425	Boom & Cylinders - 600S (Laser Cut/Pressure Fit)	Ref	
	0270449	Boom & Cylinders - 660SJ (Laser Cut/Pressure Fit) (Prior to SN 0300061927)	Ref	
	0271321	Boom & Cylinders - 660SJ (Laser Cut/Pressure Fit) (SN 0300061927 to SN 0300068000)	Ref	
		Note: For laser cut/pressure fit boom replacement parts see standard boom parts in BOOM SECTION	Ref	
	0256273	Boom Wipers Installation (Brush Type)	Ref	
	0256789	Camera Mount Assembly	Ref	
		ClearSky Telematics Kit (Dealer Installed)	Ref	
	1001102841	ANSI Spec	Ref	
	1001102842	ANSI Export/CE/Japanese Specs	Ref	
	1001139132	Australian Spec	Ref	
	1001104985	CSA Spec	Ref	
		Note: Refer to ClearSky (Telematics) Manual p/n 3128499 for Service Parts.	Ref	
		Cold Weather Package Installation Options:	Ref	
	0256059	Continental	Ref	
	0256060	Deutz	Ref	
	0258927	Deutz (With Glow/Plugs) (Prior to SN 0300061927)	Ref	
	0271326	Deutz (With Glow/Plugs) (SN 0300061927 to SN 0300063909)	Ref	
	0271548	Deutz (With Glow/Plugs) (SN 0300063909 to SN 0300068000)	Ref	
	0255386	Ford	Ref	
		Container - Tray Storage Options:	Ref	
	1580012	Center	1	
	1580013	Rail	1	

SECTION 10 SPECIAL OPTIONS

SECTION 10 SPECIAL OPTIONS

Note: This list is to accommodate machines ordered with special equipment. Options may not be applicable to all models. For more specific parts information contact JLG Parts Department.

SECTION 10 SPECIAL OPTIONS

FIG & ITEM #	PART NUMBER	DESCRIPTION	QTY.	REV.
		Decal Installations Options:	Ref	
	1702788	Decal - Biodegradable Hydraulic Fluid	1	
	1704174	Decal - Syn Biodegradable Hydraulic Fluid	1	
	0253550	Decal Installation - CSA	Ref	
	0256957	Decal Installation - Lanyard Attach (GM K-1 Spec)	Ref	
	0256487	Decal Installation - Prop 65 Warning (Diesel Machines) (California Spec)	Ref	
	0256488	Decal Installation - Prop 65 Warning (Gasoline Machines) (California Spec)	Ref	
	0257195	Government Warranty Decal Installation	Ref	
	0271107	Sunbelt Decals Installation	Ref	
	0270957	United Decals Installation	Ref	
		Electrical Connector Kits	Ref	
	1001148902	Amp/Tyco Electrical Connector Kit	Ref	
	1001148903	Deutsch DT Electrical Connector Kit	Ref	
	1001148904	Deutsch HD Electrical Connector Kit	Ref	
	1001148905	Packard Electrical Connector Kit	Ref	
	1001148906	Various Electrical Connectors Kit	Ref	
	0258696	Engine Block Heater Installation (Ford Engine Machines)	Ref	
	0257157	Ether Start Installation (Deutz Engine Machines)	Ref	
		Filter Kits:	Ref	
		Combined Filter Kit (Hydraulic/Air & Fuel/Engine Oil)	1	
		Deutz Engines		
	2910931	W/Noise Reduction (Prior to SN 0300064249)		
	1001114043	Without Noise Reduction (Prior to SN 0300030041) (was p/n 2910464)		
	1001110993	Without Noise Reduction (SN 0300030041 to SN 0300068000) (was p/n 2910463)		
		Ford Engines		
	1001114038	Ford LRG-423 (Prior to SN 0300037117)		
	2910462	Ford LRG-425 W/Carb (SN 0300037117 to SN 0300048907)		
	1001114039	Ford LRG-425 W/EFI (SN 0300048907 to SN 0300068000) (was p/n 2910460)		
	1001109692	Hydraulic/Air Filter (was p/n 2910924)	1	
	1001110133	Fuel/Engine Oil Filter (Deutz Engines Only)	1	
	4060959	Footswitch Shield (Note: Move Decal to Shield)	Ref	
	0272255	Generator 7500W 60Hz Installation (Deutz Engine Machines) (Refer to Accessories Book #3124242 for Service Parts)	Ref	

SECTION 10 SPECIAL OPTIONS

Note: This list is to accommodate machines ordered with special equipment. Options may not be applicable to all models. For more specific parts information contact JLG Parts Department.

FIG & ITEM #	PART NUMBER	DESCRIPTION	QTY.	REV.
	2902232	Glazier Tray Kit (9K Helac) (Refer to Accessories Book #3124242 for Service Parts)	Ref	
		Glow Plugs Installation (Deutz Engine Machines)	Ref	
	0258928	Prior to SN 0300061927	Ref	
	0271333	SN 0300061927 to SN 0300068000	Ref	
	2901691	Glow Plugs at Intake Kit (Deutz Engine Machines)	Ref	
		Hood (Steel) Replacement Kit	Ref	
	Not Available	Continental, Ford & Isuzu Engine Machines	Ref	
	1001126286	Deutz Engine Machines	Ref	
	0255439	Intercom Communication System Installation	Ref	
	1001147699	Manual Storage Box Relocation Kit	Ref	
		Oil Cooler Installations	Ref	
	0256779/1282668	Continental Engine Machines	Ref	
	0256762/1282665	Deutz Engine Machines	Ref	
	0256777/1282663	Ford Engine Machines (Prior to SN 0300067083)	Ref	
	0272041/1283309	Ford Engine Machines (SN 0300067083 to SN 0300068000)	Ref	
		Oxy-Acetylene Lines to Platform Installation Options:	Ref	
	0255390	600S & 600SJ	Ref	
	0255391	660SJ	Ref	
	0258703	Platform Console Cover Installation	Ref	
		Platform Entry Kit (Side Entry Platforms Only)	Ref	
	1001142504	Kit, Replace Swing Gate with Drop Bar	Ref	
	1001142505	Kit, Replace Drop Bar with Swing Gate	Ref	
		Platform Huck Fasteners Replacement Hardware	Ref	
	0641416	Bolt 1/4in-20NC x 2in	AR	
	3311405	Locknut 1/4in-20NC	AR	
	4711400	Flatwasher 1/4in	AR	
	3300151	Acorn Nut 1/4in-20NC	AR	
		Platform Top Rail Extension Installations	Ref	
	0270511	Top Rail Extension Installation (6ft/1.83m)	Ref	
	0271771	Top Rail Extension Installation (8ft/2.44m)	Ref	

SECTION 10 SPECIAL OPTIONS

SECTION 10 SPECIAL OPTIONS

Note: This list is to accommodate machines ordered with special equipment. Options may not be applicable to all models. For more specific parts information contact JLG Parts Department.

SECTION 10 SPECIAL OPTIONS

FIG & ITEM #	PART NUMBER	DESCRIPTION	QTY.	REV.
	2910073	Power Track Hose & Clamp Kit	Ref	
	1320247	Clamp, Nylon	1	
	0641522	Bolt 5/16in-18NC x 2-3/4in	1	
	3311505	Locknut 5/16in-18NC	1	
	4711500	Flatwasher 5/16in	2	
	2753084	Hose	1	
		SkyGuard Component Options:	Ref	
	1001149560	SkyGuard Complete Add-On Kit (Non-UGM Machines)	Ref	
	1001137672	SkyGuard Platform Sensor Kit	Ref	
	1001143256	SkyGuard Blue Beacon Kit	Ref	
	4400275	Tank Aluminum - LP (43.5 Lbs.)	1	
	4400420	Tank Steel - LP (43.5 Lbs.)	1	
	0272302	Tire Sealant Installation	Ref	
	0272312	Tire Sealant Decal Installation	Ref	
	2902203	Kit, Tire Sealant Decal	1	
		Tools for Service	Ref	
	7002840	Antirotation Pin Removal Tool	1	
	8896941	Wire Stripper	1	
	7002821	Wire Crimper (To install wire ends to wires)	1	
	7002823	Pin/Socket Extractor - Universal (To Remove Pins/Sockets from Connectors)	1	
	4460467	Extractor - 16-18 Gauge (For Removal of Pin/Sockets from Deutsch Connectors)	1	
	4460510	Extractor - 12-14 Gauge (For Removal of Pin/Sockets from Deutsch Connectors)	1	
	7002822	Screwdriver, Potentiometer (To Adjust Drive Controllers)	1	
	7016654	Screwdriver, Magnetic	1	
	7004275	Seal Installation Tool - 1in	1	
	7004276	Seal Installation Tool - 1-1/2in	1	
	7002826	Seal Installation Tool - 2in	1	
	7016655	Wire Rope Sheave Gauge	1	
	7016652	Huck Bolt Faster (For Small Huck Bolts Only)	1	
	4921850	Throttle Service Harness	1	
	4922012	Rexroth Card Service Harness	1	

SECTION 10 SPECIAL OPTIONS

Note: This list is to accommodate machines ordered with special equipment. Options may not be applicable to all models. For more specific parts information contact JLG Parts Department.

FIG & ITEM #	PART NUMBER	DESCRIPTION	QTY.	REV.
		Tool (Hydraulic) Installations Options:	Ref	
	0257415	600S (Prior to SN 0300066201)	Ref	
	0272347	600S (SN 0300066201 to SN 0300068000)	Ref	
	0257434	600SJ (Prior to SN 0300066201)	Ref	
	0272348	600SJ (SN 0300066201 to SN 0300068000)	Ref	
	0257435	660SJ (Prior to SN 0300066201)	Ref	
	0272349	660SJ (SN 0300066201 to SN 0300068000)	Ref	
	0257728	Tube Rack Installation	Ref	
		Weld Leads to Platform Installation Options:	Ref	
	0255399	600S & 600SJ	Ref	
	0255895	660SJ	Ref	
	0272254	Welder Installation (Stick 250A) (Refer to Accessories Book #3124242 for Service Parts)	Ref	

SECTION 10 SPECIAL OPTIONS

SECTION 10 SPECIAL OPTIONS

Note: This list is to accommodate machines ordered with special equipment. Options may not be applicable to all models. For more specific parts information contact JLG Parts Department.

**S
E
C
T
I
O
N

1
0

S
P
E
C
I
A
L

O
P
T
I
O
N
S**

FIG & ITEM #	PART NUMBER	DESCRIPTION	QTY.	REV.

SECTION 11 PARTS NUMBER INDEX

Part Number	Page	Part Number	Page	Part Number	Page	Part Number	Page
0060031	3-8, 3-17	0140001	2-4	0255353	5-23	0256487	10-2
0060033	2-28, 2-38, 2-45, 2-89, 7-14	0140011	4-17	0255354	5-23	0256488	10-2
0060034	3-3, 3-17	0140026	4-12	0255355	5-23	0256575	8-7
0060066	3-8, 3-21	0160020	2-46, 2-68	0255356	5-23	0256620	1-8
0060067	3-3, 3-21	0181727	2-27, 2-37, 2-43, 2-58, 2-66, 2-74, 2-89	0255363	1-33	0256621	1-3
0060074	3-8, 3-17			0255364	7-9	0256631	4-20
0060075	3-3, 3-17	0181942	2-68	0255365	3-11, 7-9	0256663	8-7
0080091	2-58, 2-66	0181949	2-103	0255368	2-117	0256672	8-7
0080124	2-81	0200530	2-34, 2-54	0255386	10-1	0256673	8-7
0080163	2-39, 2-50	0200547	2-86	0255387	2-118	0256685	2-62
0080177	2-38	0200550	4-44	0255388	10-1	0256686	2-62
0080181	2-27, 2-89	0200555	2-54	0255389	10-1	0256687	2-30
0080201	2-28, 2-60, 2-67, 2-75, 2-89	0200741	2-54	0255390	10-3	0256688	2-30
0080214	2-58, 2-66, 2-74	0200742	2-54	0255391	10-3	0256689	2-47
0080215	2-27	0236631	4-14	0255392	4-4, 7-4	0256690	2-47
0080216	2-28	0239585	2-13	0255393	2-118	0256752	2-58
0080220	5-9	0253550	10-2	0255394	2-85	0256753	2-43
0080230	2-89	0254798	2-13	0255395	2-33	0256754	2-27
0080241	2-118	0254817	1-3	0255396	2-53	0256755	2-58
0100009	2-110, 4-18	0254818	1-7	0255399	10-5	0256762	6-14, 7-3, 10-3
0100011	1-3, 1-4, 1-7, 1-9, 1-11, 1-15, 1-17, 1-31, 2-4, 2-13, 2-29, 2-34, 2-38, 2-44, 2-47, 2-54, 2-57, 2-59, 2-65, 2-67, 2-73, 2-75, 2-86, 2-90, 2-101, 2-102, 2-105, 2-109, 2-113, 2-118, 2-121, 2-124, 2-129, 2-130, 3-4, 3-5, 3-9, 3-11, 3-14, 3-24, 3-27, 4-13, 4-19, 5-3, 5-5, 5-7, 5-9, 5-13, 5-15, 5-21, 6-13, 8-5, 8-10	0254845	1-3	0255400	10-1	0256777	6-14, 7-3, 10-3
		0254846	1-8	0255439	10-3	0256779	6-14, 7-3, 10-3
		0254849	2-101	0255445	2-3	0256789	10-1
		0254856	1-31	0255446	2-3	0256809	2-57
		0254857	1-31	0255447	2-3	0256810	2-57
		0254942	1-8, 1-11	0255628	2-57	0256823	2-130
		0254943	1-11	0255629	2-57	0256830	2-128
		0254944	1-4	0255698	2-117	0256847	2-50
		0254945	1-11	0255864	2-62	0256895	2-33
		0254975	1-15, 1-31	0255865	2-62	0256935	7-9
		0254976	1-15, 1-31	0255873	2-30	0256936	3-11, 7-9
		0255025	2-13	0255874	2-30	0256939	3-11, 7-9
		0255223	3-3	0255875	2-39	0256957	10-2
		0255224	3-8	0255876	2-39	0257157	10-2
		0255262	2-105	0255881	2-121	0257159	2-85
		0255289	3-8	0255885	4-43	0257160	2-53
		0255293	3-23	0255886	4-43	0257175	7-16, 7-24, 7-33
		0255294	2-105	0255895	10-5	0257195	10-2
		0255296	2-124	0255896	3-11, 7-9	0257340	2-101
		0255297	1-16	0255914	2-117, 7-16	0257415	10-5
		0255298	1-16	0255917	2-118, 7-16, 7-24, 7-33	0257434	10-5
		0255299	1-16			0257435	10-5
		0255300	1-16	0255929	5-23	0257483	2-101
		0255301	1-16	0255930	5-23	0257493	8-7
		0255302	1-16	0256059	10-1	0257494	8-7
		0255303	3-23	0256060	10-1	0257702	2-43
		0255315	2-3	0256113	7-16, 7-24, 7-33	0257705	2-102
		0255316	2-14	0256122	2-125, 2-129	0257727	2-66
		0255325	2-58	0256191	2-39	0257728	10-5
		0255326	2-37	0256196	1-17	0257731	1-8, 1-11
		0255327	2-27	0256212	5-9	0257732	1-4
		0255328	2-58	0256258	8-7	0257743	1-11
		0255329	8-3	0256273	10-1	0257744	1-11
		0255330	8-7	0256318	3-3	0257747	1-7
		0255331	8-3	0256319	3-8	0257748	1-8
		0255332	8-7	0256320	3-8	0257749	1-7
		0255333	8-3	0256375	2-117	0257750	1-8
		0255334	8-7	0256394	1-3	0257849	4-43
		0255335	2-117	0256396	1-7	0257850	4-43

SECTION 11 PARTS NUMBER INDEX

Part Number	Page	Part Number	Page	Part Number	Page	Part Number	Page
0257851	2-85	0270764	2-74, 2-83, 4-20	0272317	1-16	0630536	5-9
0257852	2-33	0270765	2-73	0272318	1-16	0630548	2-114
0257853	2-53	0270766	2-74	0272341	8-5	0641403	2-117, 3-15
0257855	2-33	0270767	2-73	0272347	10-5	0641404	2-57, 3-28, 4-12, 4-18, 4-19
0257856	2-85	0270795	4-20, 4-43	0272348	10-5	0641406	2-28, 2-38, 2-59, 2-67, 2-75, 2-90, 2-117, 2-118, 2-129, 4-5, 4-7, 4-12, 4-13, 4-19, 4-44, 8-5, 8-10
0257857	2-53	0270796	4-20, 4-43	0272349	10-5	0641407	2-29, 2-44, 3-4, 3-10
0257864	1-16	0270801	2-53, 4-20	0272480	2-53	0641408	2-57, 2-59, 2-65, 2-66, 2-75, 2-81, 4-5, 4-7, 4-12, 4-17, 5-10, 8-4, 8-8
0257865	1-16	0270802	2-118, 4-20	0272481	2-53	0641410	2-76
0257866	1-16	0270804	3-27	0272483	7-29	0641412	2-102
0257867	1-16	0270805	2-118, 7-5	0272485	7-29	0641414	1-3, 1-7, 4-4, 4-8, 8-5, 8-10
0257874	1-16	0270808	2-85, 4-20	0272488	7-29	0641416	2-4, 2-81, 3-11, 4-4, 4-18, 10-3
0257875	1-16	0270809	2-85, 4-20	0272507	2-118	0641418	4-18
0257884	2-118	0270810	2-53, 4-20	0272970	4-7	0641424	2-76
0257885	2-118	0270814	4-4, 4-8, 4-21, 7-4	0340002	2-60	0641505	1-33, 1-34
0257886	2-117	0270833	2-117	0340041	2-27, 2-30, 2-37, 2-39, 2-43, 2-60, 2-62, 2-67, 2-75, 2-89	0641506	2-109, 2-113, 2-129, 2-130
0257887	2-117, 7-16, 7-24, 7-33	0270868	1-8, 1-11	0340046	2-30, 2-47, 2-63, 2-70, 2-78, 2-91	0641507	2-47, 2-63, 2-67, 2-70, 2-91
0257988	3-27	0270957	10-2	0362519	1-33, 1-34, 2-103	0641508	2-4, 2-30, 2-34, 2-39, 2-45, 2-55, 2-61, 2-62, 2-66, 2-76, 2-78, 2-86, 2-90, 2-102
0257992	2-65	0271003	1-7	0362528	2-117	0641510	2-38, 2-45
0257995	2-66	0271004	1-8	0400075	2-27, 2-37, 2-43, 2-58, 2-66, 2-74, 2-89	0641512	2-124, 2-129
0257998	2-66	0271005	1-11	0440091	1-5	0641514	2-61, 2-67, 2-76
0258048	4-4, 7-4	0271014	8-3	0440170	1-5	0641520	1-31
0258390	2-70, 2-78	0271107	10-2	0440171	1-5	0641522	1-31, 3-24, 3-28, 10-4
0258391	2-70, 2-78	02711242	3-27	0440207	2-13	0641524	4-4
0258568	2-47	0271243	3-27	0460150	5-23	0641550	1-17
0258570	2-70	0271250	2-101	0460151	5-23	0641604	3-4, 3-10
0258578	2-128	0271319	3-8	0460152	5-23	0641605	3-14, 3-24
0258605	2-66	0271320	3-8	0460153	5-23	0641606	2-38, 2-45, 2-61, 2-68, 2-74, 2-103, 3-10, 3-24, 4-12
0258607	2-102	0271321	10-1	0460158	5-23	0641607	3-14
0258696	10-2	0271326	10-1	0460160	5-23	0641608	1-3, 1-4, 1-7, 1-8, 1-9, 1-11, 1-31, 1-33, 2-4, 2-29, 2-59, 2-66, 2-75, 2-90, 2-102, 2-124, 2-128, 3-4, 3-9, 3-14, 3-24, 3-27
0258703	10-3	0271333	10-3	0460161	5-23	0641609	2-121, 2-129
0258886	1-33	0271372	3-27	0480050	2-34, 2-54, 2-86		
0258927	10-1	0271502	2-117	0480111	2-54, 2-86		
0258928	10-3	0271544	2-53, 4-20	0480119	2-54		
0258932	2-91	0271545	2-85, 4-20	0561076	3-14		
0259198	2-91, 7-15	0271546	2-85, 4-20	0561138	1-4, 1-9, 1-11		
0259328	8-3	0271547	2-53, 4-20	0561139	1-4, 1-9, 1-11		
0259329	8-3	0271548	10-1	0561183	3-14		
0259330	8-3	0271550	4-20, 4-43	0561184	3-14		
0259424	1-33	0271551	4-20, 4-43	0561185	3-14		
0259425	1-33	0271552	2-118, 4-20	0561237	3-11		
0259759	2-73	0271614	1-16	0630078	1-4		
0259760	2-73	0271615	1-16	0630458	3-4, 3-10, 3-23, 3-27		
0259765	2-74	0271616	1-16	0630462	4-43		
0259766	2-74, 2-83	0271617	1-16	0630464	4-12, 4-17		
0270016	2-89	0271618	1-16	0630491	2-118		
0270120	1-15, 1-31	0271619	1-16	0630493	3-23		
0270121	1-15, 1-31	0271619	1-16	0630498	2-27, 2-37, 2-43, 2-58, 2-66, 2-74, 2-89		
0270329	2-13	0271771	10-3	0630507	2-124, 2-128		
0270394	2-101	0271940	4-5, 4-7	0630518	2-110, 2-113		
0270425	10-1	0272041	10-3	0630534	5-5, 5-13, 5-16		
0270449	10-1	0272070	3-5, 3-11	0630535	5-3, 5-7, 5-16, 5-21		
0270511	10-3	0272133	3-3				
0270529	2-128	0272137	3-8				
0270723	10-1	0272139	3-8				
0270733	7-21, 7-29	0272254	10-5				
0270736	3-11, 7-21, 7-29	0272255	10-2				
0270738	3-11, 7-21, 7-29	0272297	1-16				
0270763	2-43	0272298	4-5, 4-7				
		0272302	10-4				
		0272312	10-4				

SECTION 11 PARTS NUMBER INDEX

Part Number	Page	Part Number	Page	Part Number	Page	Part Number	Page
0641610	2-28, 2-38, 2-44, 2-54, 2-59, 2-66, 2-75, 2-90, 3-14, 4-5, 4-7, 4-12, 4-17	0700810	2-38, 2-39, 2-50, 2-57, 2-65, 2-73	0861124	2-107	0902511	2-44
0641611	2-105, 3-10	0700812	2-46	0861125	2-107	0902520	2-105
0641612	1-3, 1-9, 1-11, 2-29, 2-125, 4-44	0700819	2-28, 2-54, 2-60, 2-68, 2-76	0861126	2-107	0902527	2-90
0641613	2-4, 3-14	0701004	2-75	0861129	2-107	0902539	2-73
0641614	2-101, 2-102, 3-9	0701010	2-68	0861130	2-107	0902572	2-76
0641618	3-9, 3-14	0701011	2-90	0861132	2-107	0902751	4-19
0641624	2-68	0701012	2-39, 2-45, 2-59, 2-67, 2-75, 2-90	0861133	4-11	0902756	2-86
0641634	3-14	0701014	2-57, 2-65, 2-73	0861230	2-107	0920083	2-13, 2-19
0641640	3-15	0701015	2-34, 2-39, 2-45, 2-58, 2-86, 2-91	0861231	2-107	0920084	1-15, 1-25
0641644	3-24	0701022	2-57, 2-65, 2-73	0861242	2-107	0920109	2-13, 2-19
0641648	3-28	0701414	2-28, 2-38, 2-44	0861243	2-107	0920110	1-15, 1-25
0641676	3-23	0711414	2-54	0861249	2-107	0920117	1-15, 1-26
0641712	2-29	0721003	1-5, 4-13, 4-14, 4-21	0861250	2-107	0920119	1-15, 1-26, 2-13, 2-20
0641772	2-54, 2-86	0721004	2-28, 2-34, 2-38, 2-60, 2-68, 2-109, 4-13	0861303	2-107	0940038	4-43
0641807	3-24, 3-27	0721005	2-44, 2-109	0861328	2-107	0940049	2-124
0641808	2-29, 2-39, 2-46, 2-75, 2-90	0721006	2-34, 2-55, 2-67, 2-73, 2-81, 2-86, 2-90, 2-124, 2-129	0861329	2-107	0940070	2-28, 2-37, 2-44, 2-59, 2-67, 2-75, 2-89
0641810	2-57, 3-4, 3-9	0721010	4-13	0861382	2-107	0940071	2-124, 2-128
0641811	2-13	0721014	2-59, 2-73	0861383	2-107	0940088	2-129
0641812	2-28, 2-38, 2-44, 2-65, 2-73, 2-90, 3-5, 3-11	0731005	4-44	0861388	4-17, 7-28	0961127	7-16
0641814	1-3, 1-7	0741606	2-118	0861389	2-113	0961816	5-3
0641816	2-38	0741607	3-4, 3-9	0861390	2-113	0961850	1-9, 1-12
0641818	2-28, 2-44, 2-90, 2-121	0741612	3-14	0861391	2-113	0961883	1-5
0641820	1-4, 1-8, 2-105, 3-4, 3-10	0801009	3-3, 3-13	0861394	2-113	0961893	5-5, 5-13, 5-15
0641824	3-14	0801010	3-8, 3-13	0861395	2-113	0961894	5-7, 5-15
0641826	2-29, 2-46	0801011	3-13	0861414	4-17, 4-19	0961895	5-3
0641828	2-59, 2-66, 2-75, 2-90	0801012	3-13	0861477	4-17, 7-28	0961897	5-21
0642010	2-29, 2-39, 2-45, 2-60, 2-68, 2-76, 2-91	0801014	3-13	0861478	2-113	0961898	5-9
0642012	1-3, 1-4, 1-7, 1-8, 3-4, 3-9	0801035	3-8, 3-13	0861479	2-113	0961947	3-10, 5-5, 5-13, 5-15
0642018	2-13	0801036	3-13	0861480	2-113	0961950	1-3, 1-4, 1-7, 1-8, 3-4, 3-10, 3-13, 5-9
0642612	2-118, 3-27	0801037	3-13	0861481	2-113	0961951	3-4, 3-10, 3-13, 5-7, 5-15
0642682	3-5, 3-11	0801038	3-13	0861511	4-17	0961977	1-5, 1-9, 1-12, 5-19
0651406	2-4	0801065	3-13	0861537	4-17, 4-19	0961986	2-29, 2-38, 2-45, 2-60, 2-68, 2-76, 2-90
0681606	2-28, 2-90	0801167	3-13	0902087	2-57	0962006	3-4, 3-10
0681608	3-5, 3-11, 3-15	0840026	2-66	0902088	2-57, 2-65	0962031	2-29, 2-90
0681610	1-5, 1-9, 1-11, 3-4, 3-10	0860038	7-16, 7-24, 7-33	0902109	2-105	0962036	1-5
0681612	2-34, 2-54, 2-86, 3-14	0860520	8-4, 8-8	0902132	2-81	0962051	2-121
0681836	2-13	0860978	2-107	0902138	2-128	0962057	3-4, 3-10
0682012	1-5	0860984	4-11, 4-13	0902139	2-124	0962131	1-9, 1-12
0682014	1-4, 1-9, 1-12, 2-125, 2-129	0860999	2-107	0902143	2-124, 2-128	0962335	3-10
0682016	1-9, 1-12, 1-15, 2-13	0861000	2-107	0902159	2-28	0962336	5-13
0700605	2-29	0861001	2-107	0902161	2-124, 2-128	0962496	5-3
0700808	2-45, 2-91	0861002	2-107	0902206	2-118	1001094043	3-3, 3-8
		0861003	2-107	0902210	2-86	1001100321	2-33, 2-53, 2-85
		0861004	2-107	0902212	2-62	1001102841	10-1
		0861041	4-11, 4-14	0902216	2-30	1001102842	10-1
		0861082	4-11, 4-14	0902217	2-39	1001103095	3-8, 3-17
		0861100	2-107	0902219	2-125, 2-129	1001104985	10-1
		0861101	2-107	0902222	2-124	1001109692	10-2
		0861123	2-107	0902223	2-124, 2-128	1001110133	10-2
				0902243	2-37, 2-44	1001110169	2-13, 2-23, 2-24
				0902309	2-63, 2-70, 2-78	1001110993	10-2
				0902310	2-30		
				0902351	2-128		
				0902358	2-128		
				0902384	2-129		
				0902416	2-128		
				0902417	2-46		
				0902472	2-47, 2-70		
				0902491	2-128		

SECTION 11 PARTS NUMBER INDEX

Part Number	Page	Part Number	Page	Part Number	Page	Part Number	Page
1001112467	5-9	1220042	3-13	1580012	4-8, 10-1	1683055	5-7, 5-15
1001113961	4-39, 4-40	1220078	3-13	1580013	4-8, 10-1	1683057	5-21
1001114038	10-2	1260017	2-13	1600211	2-58, 2-66	1683059	5-3
1001114039	10-2	1260136	4-44	1600218	4-12	1683067	5-9
1001114043	10-2	1282380	6-14	1600239	4-11	1683078	1-3, 1-7, 5-3
1001117320	4-7	1282474	7-2, 7-5	1600242	4-11, 4-23	1683079	5-3
1001118416	4-18, 4-39, 4-40, 9-1	1282663	6-14, 7-3, 10-3	1600283	4-11, 4-33, 4-37	1683081	5-3
1001118417	4-18, 4-29	1282665	6-14, 7-3, 10-3	1600284	4-11, 4-23, 4-27	1683208	1-4, 1-8, 1-11, 5-19
1001119562	4-13, 4-19	1282668	6-14, 7-3, 10-3	1600298	2-74	1683248	3-13, 5-21
1001121592	4-44	1282672	7-2	1600312	2-113	1683249	5-21
1001121593	4-44	1282685	7-2, 7-5	1600313	4-17	1683250	5-21
1001126286	2-128, 10-3	1282828	7-2	1600314	2-74	1683253	3-8, 5-7
1001129555	4-18, 4-29, 4-30, 9-1	1282937	7-2, 7-5	1600317	4-18, 4-29	1683254	5-7
1001137672	10-4	1283235	7-5	1600318	4-18, 4-39	1683256	5-15
1001139132	10-1	1283309	10-3	1600327	2-113	1683258	3-8, 5-13
1001142504	10-3	1300019	1-17	1641808	2-60, 2-68	1683259	5-13
1001142505	10-3	1320012	2-28, 2-59, 2-66, 2-74, 2-89	1660157	2-57, 2-65	1683261	5-13
1001143256	10-4	1320016	2-28, 2-37, 2-44, 2-60, 2-67, 2-75, 2-89	1660183	2-27	1683263	3-8, 5-15
1001144023	4-7	1320017	2-67, 2-81	1660184	2-39	1683264	5-15
1001144024	4-7	1320019	2-29, 2-30, 2-39, 2-60, 2-62, 2-73	1660218	2-62	1683266	3-3, 5-15
1001147699	10-3	1320022	2-28, 2-38, 2-44, 2-57, 2-59, 2-65, 2-66, 2-73, 2-75, 2-90	1660219	2-105	1683267	5-15
1001148902	10-2	1320031	2-29, 2-46	1660220	2-28, 2-89	1683269	5-15
1001148903	10-2	1320032	2-60, 2-76	1660222	2-28	1683271	3-3, 5-5
1001148904	10-2	1320040	4-44	1660223	2-105	1683272	5-5
1001148905	10-2	1320060	2-39, 2-46, 2-59, 2-61, 2-66, 2-74, 4-12	1660233	2-27	1683274	5-5
1001148906	10-2	1320061	2-60	1660234	2-39, 2-50	1683275	3-3, 3-8, 5-9
1001149560	10-4	1320070	2-59, 5-10	1660239	2-89	1683276	5-9
1060012	7-8	1320095	4-12	1660249	2-62	1683278	5-9
1060016	7-9	1320127	2-103	1660250	2-62, 2-69, 2-77	1683333	5-7
1060279	8-4, 8-8	1320131	2-46	1670749	3-23	1683357	3-13, 5-21
1060330	4-18, 4-44, 7-17, 7-20	1320176	2-47	1670750	3-23	1683358	5-21
1060341	4-44, 7-17, 7-25, 7-34	1320218	2-103	1670769	3-11	1683359	5-21
1060494	7-9, 7-16, 7-17, 7-21, 7-24, 7-25, 7-29, 7-34	1320220	2-103	1670771	2-124, 2-129	1683415	3-3, 5-5
1060515	7-8	1320222	2-29, 2-38, 2-45, 2-58, 2-60, 2-65, 2-68, 2-91	1670776	1-17	1683416	5-5
1060516	7-9	1320223	2-29, 2-38, 2-45, 2-58, 2-60, 2-65, 2-68, 2-75, 2-91	1670779	2-125, 2-129	1683418	3-8, 5-7
1060602	7-9	1320235	3-4, 3-10	1670780	2-125	1683419	5-7
1060603	7-9	1320244	2-46, 2-69	1670785	4-43	1683618	3-13, 5-21
1060617	5-9	1320245	2-46, 2-69, 2-102	1670786	4-43	1683619	5-21
1060637	2-29, 2-39, 2-46, 2-60, 2-68, 2-76, 2-91	1320247	3-24, 3-28, 10-4	1670787	4-43	1683620	3-13, 5-21
1060680	7-21, 7-29	1340050	2-43, 2-67	1670788	4-43	1683621	5-21
1060896	7-21, 7-29	1340056	2-27, 2-37, 2-59	1670789	4-43	1683949	5-15
1060918	4-7, 4-18	1340060	2-27, 2-43, 2-59, 2-67, 2-75, 2-89	1670791	4-43	1683952	5-7
1100086	1-3, 1-7	1380147	2-121	1670793	4-43	1683954	5-9
1120304	1-5	1580011	2-27, 2-58, 2-66, 2-74, 2-89	1670795	4-43	1683955	5-9
1120484	2-101			1670796	4-43	1683962	5-15
1120487	2-101			1670797	4-43	1683963	5-7
1120552	1-17			1670798	4-43	1683972	5-15
1180340	3-23			1670799	4-43	1683973	5-15
1180341	3-23			1670801	4-43	1683976	5-5
1180345	3-27			1670803	4-43	1683977	5-5
1180359	3-27			1670804	4-43	1683986	5-3
				1670818	2-117	1683987	5-3
				1670824	2-117	1684090	5-13
				1670829	2-110, 2-113, 4-12, 4-17	1684092	5-13
				1670836	3-15	1684191	5-3
				1671037	4-19	1700584	8-4, 8-8
				1671055	3-4, 3-10	1700818	2-81, 8-5
				1683053	5-5, 5-13, 5-15	1701499	8-4, 8-8

SECTION 11 PARTS NUMBER INDEX

Part Number	Page	Part Number	Page	Part Number	Page	Part Number	Page
1701500	2-125, 2-129, 8-4, 8-8	1702938	4-20, 4-44	1704006	8-4	2120169	2-69
1701502	8-3, 8-7	1702965	8-5	1704099	8-4	2160002	1-4, 1-9, 1-12
1701503	8-3, 8-7	1702966	8-5	1704100	8-9	2160003	2-14
1701504	8-3, 8-7	1702968	1-33	1704107	8-5	2180104	2-81
1701505	2-29, 2-39, 2-45, 2-91, 8-5, 8-9	1702971	8-7	1704108	8-10	2180125	2-103
1701509	8-3, 8-7	1702972	8-8	1704116	8-4	2180344	2-14
1701518	8-7	1702973	8-8	1704174	10-2	2180360	2-81
1701529	8-4, 8-8	1702974	8-9	1704260	4-13, 4-17	2180380	6-13
1701542	2-60, 2-68, 8-5, 8-9	1702975	8-7	1704269	8-4	2180387	2-103
1701543	2-81, 8-5, 8-9	1702976	8-9	1704270	8-4	2180388	2-103
1701643	1-17	1702977	8-9	1704271	8-5	2180389	2-103
1701645	8-4	1702978	8-9	1704272	1-33, 1-34, 8-5	2180418	2-81, 2-83, 2-103
1701923	8-9	1703004	8-9	1704273	1-33, 8-5	2180467	2-59, 2-69, 2-75
1701924	8-9	1703005	8-9	1704274	1-34	2180536	2-28, 2-38, 2-44, 2-57, 2-65
1702153	8-4	1703006	8-9	1704276	1-34, 8-5	2180703	2-46, 2-69
1702282	8-4	1703090	4-12	1704277	8-3, 8-8	2180724	6-13
1702284	8-3	1703091	4-12	1704885	8-5, 8-10	2180798	2-27, 2-37, 2-43, 2-60, 2-67, 2-75, 2-89
1702292	8-3	1703092	4-12	1705132	2-114, 4-19		
1702300	8-4, 8-8	1703093	4-12	1705363	8-5		
1702305	8-5	1703097	8-10	1705364	1-17		
1702387	4-14, 4-20	1703162	2-28, 2-37, 2-44, 2-59, 2-66, 2-74, 2-89	1840012	2-108	2180800	2-103
1702536	2-108	1703181	8-4	1840013	2-108	2200204	2-81
1702552	8-8	1703188	8-9	1840014	2-108	2200221	2-60, 2-90
1702564	4-11, 4-18	1703403	1-34, 8-5	1840015	2-108	2200222	2-17, 2-101, 2-102
1702565	4-11, 4-18	1703404	1-34	1870038	7-5	2200233	2-59, 2-69, 2-101
1702566	4-11, 4-18	1703444	1-34	1870039	7-5	2220005	2-81, 2-83
1702567	4-11, 4-18	1703450	1-34	1870052	7-5	2220063	2-14
1702573	8-8	1703453	8-7	1870053	7-5	2220064	2-81, 2-83
1702581	8-8	1703465	2-108, 2-113	1870075	7-5	2220082	2-81
1702583	8-7	1703466	2-108, 2-113	1870087	7-5	2220235	6-3, 6-6, 6-11
1702585	8-7	1703476	2-46, 2-67	1870089	7-5	2220237	6-3
1702610	2-109, 2-113	1703504	1-17	1870113	7-5	2220240	6-3
1702612	8-3	1703533	6-13	1870131	7-5	2220242	6-3
1702632	2-108	1703536	8-9	1870132	7-5	2220250	2-28, 2-38, 2-44, 2-58, 2-60, 2-65, 2-75
1702676	4-5, 4-8, 4-11, 4-18	1703538	8-9	2000126	2-57, 2-61		
1702688	8-5	1703541	8-9	2000131	2-27, 2-30	2220251	2-81
1702690	8-8	1703542	8-9	2000132	2-37, 2-40	2220261	2-103
1702701	1-17	1703543	8-9	2000146	2-37, 2-43, 2-47	2220270	2-59, 2-69
1702720	8-9	1703548	8-9	2000149	2-57, 2-61	2220273	2-28, 2-38, 2-44, 2-57, 2-60, 2-65, 2-69
1702773	8-3, 8-7	1703622	2-110	2000151	2-89		
1702774	8-3, 8-7	1703631	2-67	2000156	2-65, 2-69		
1702783	8-3	1703662	8-4	2000160	2-65, 2-69		
1702784	8-4	1703797	8-4	2000164	2-73, 2-76	2220313	2-28, 2-38, 2-44, 2-90
1702785	8-4	1703798	8-3	2000166	2-73, 2-76, 2-83		
1702786	8-4	1703804	8-3	2000172	2-73, 2-76	2220315	2-57, 2-69
1702788	10-2	1703805	8-3	2000173	2-43, 2-48	2220362	6-3, 6-5
1702815	8-3, 8-7	1703808	8-5	2000174	2-73, 2-76, 2-83	2220363	6-3, 6-6
1702816	8-3, 8-7	1703808	8-5	2000189	2-43, 2-48	2220365	6-3
1702817	8-3, 8-7	1703899	8-7	2060025	2-27, 2-37, 2-43, 2-58, 2-66, 2-74, 2-89	2220371	6-3, 6-9
1702861	8-3, 8-7	1703900	8-8			2220372	6-11
1702862	8-3, 8-7	1703909	2-81	2080040	4-4, 4-7	2220373	6-11
1702868	8-3	1703911	2-81, 8-5	2080043	3-4, 3-10	2220375	6-3, 6-5, 6-11
1702901	8-4	1703924	8-4	2080044	3-10	2220376	6-11
1702902	8-4	1703930	8-3	2120077	2-81	2220377	6-3, 6-5, 6-11
1702903	8-4, 8-9	1703936	8-3	2120145	2-4	2220380	6-11
1702904	8-4, 8-9	1703948	8-3	2120146	2-3	2220385	6-9, 6-11
1702908	8-4	1703996	8-4	2120149	2-4, 9-1	2220386	6-6
		1704000	8-3	2120150	2-3, 9-1	2220408	6-11
		1704003	8-3			2220409	6-13

SECTION 11 PARTS NUMBER INDEX

Part Number	Page	Part Number	Page	Part Number	Page	Part Number	Page
2220414	6-12	2220909	6-12	2720392	2-81, 2-83	2752598	6-12
2220415	6-9, 6-11	2220914	6-6, 6-13	2720393	2-58	2752599	6-12
2220418	2-103	2220921	6-11	2720394	2-60	2752631	6-11
2220428	6-11	2220947	6-11	2720395	2-28	2752632	6-3, 6-6, 6-11
2220429	6-11	2220948	6-12	2720396	2-28	2752633	6-12
2220430	2-74	2220950	6-12	2720397	2-37, 2-44	2752643	6-12
2220435	6-5	2220974	6-12	2720398	2-37, 2-44	2752653	6-11
2220437	2-58, 2-65	2220994	2-58, 2-65	2720423	2-46	2752654	6-11
2220451	2-37, 2-44	2221018	2-103	2720434	2-45	2752752	6-11
2220459	2-28, 2-38, 2-44	2221019	2-83, 2-103	2720435	2-58, 2-66, 2-74	2752753	6-12
2220462	6-12	2221023	2-46, 2-69	2720436	2-60, 2-67, 2-75	2752762	6-11
2220465	6-3, 6-5	2221024	2-103	2720441	2-89	2752763	6-12
2220466	6-3, 6-5, 6-11	2221028	2-46, 2-69	2720442	2-89	2752783	6-12
2220467	2-76	2400057	2-110	2720449	2-45	2752807	6-3, 6-5
2220468	6-12	2400060	7-14, 7-22, 7-32	2720472	2-75	2752810	6-6
2220472	6-5, 6-6, 6-12	2400061	7-14, 7-22, 7-32	2750532	2-28, 2-38, 2-44, 2-57, 2-59, 2-65, 2-69, 2-73, 2-74, 2-90	2752812	6-3, 6-5
2220473	6-3, 6-12	2400065	7-21, 7-30, 7-32, 9-1			2752822	6-9
2220479	6-12	2400066	7-21, 7-30			2752823	6-9
2220490	6-3, 6-9	2420109	2-58			2752824	6-9
2220497	6-12	2420172	2-109, 2-113	2751013	6-3, 6-5	2752888	6-5
2220498	6-11	2420187	2-65, 2-77	2751015	6-9	2752889	6-5
2220500	6-5	2420203	2-33, 2-54, 2-86	2751016	6-3, 6-5	2752893	6-6
2220502	6-3, 6-5, 6-12	2460011	2-33, 2-53, 2-85	2751020	6-9	2752898	6-5
2220504	6-3, 6-5, 6-9	2460013	2-33, 2-53, 2-85	2751021	6-5	2752909	6-5
2220550	6-5	2460032	2-53, 2-85	2751032	2-14	2752918	6-5
2220568	6-3	2460034	2-53, 2-85	2751095	2-14	2752963	6-3, 6-5
2220574	6-13	2460056	2-33	2751396	6-12	2752981	6-12
2220577	6-9	2500005	2-57, 2-65	2751397	6-9	2753048	6-12
2220578	6-11	2560136	4-11, 4-17	2751427	6-11	2753083	6-13
2220582	6-3, 6-5, 6-6, 6-9, 6-11	2560144	5-9	2751868	6-12	2753084	10-4
2220596	6-5, 6-11	2600209	2-128	2752245	6-3	2760105	2-109, 2-113, 4-11, 4-17
2220599	2-103	2600211	4-13, 4-19	2752249	6-5	2780114	1-15, 1-19
2220603	6-9, 6-12	2600216	4-4	2752256	6-5	2780136	1-15, 1-19
2220605	6-11	2600219	4-4	2752258	6-3	2780188	1-4
2220609	6-12	2600233	2-128	2752322	6-3, 6-5	2780205	2-13, 2-17
2220618	6-12	2600281	4-7	2752340	6-11	2780261	1-15, 1-23
2220619	6-9	2600287	4-4	2752345	6-3	2792176	6-14
2220622	6-5, 6-6	2680420	2-124, 2-128	2752389	6-6	2792179	6-11, 6-14
2220628	6-11	2680421	2-128	2752398	6-5	2792180	6-11, 6-14
2220635	6-9	2680422	2-124	2752433	6-12	2792181	6-11, 6-14
2220646	6-3, 6-5, 6-11	2680435	2-128	2752443	6-6	2792184	6-3, 6-14
2220671	6-3, 6-5	2680437	2-128	2752444	6-12	2792185	6-14
2220675	2-81	2680443	2-128	2752462	6-3, 6-5	2792186	6-5, 6-14
2220710	6-3	2680448	2-128	2752478	6-3, 6-5	2792187	6-14
2220720	2-29, 2-58, 2-66	2680449	2-128	2752504	6-11	2792204	6-9, 6-14
2220738	6-5	2680450	2-128	2752514	6-11	2792266	6-14
2220794	2-39, 2-45	2720042	2-81	2752515	6-11	2792315	6-14
2220800	6-6	2720058	2-28, 2-39, 2-45, 2-46, 2-57, 2-58, 2-60, 2-68, 2-75, 2-90	2752516	6-11	2792325	6-14
2220805	2-74			2752517	6-12	2792326	6-14
2220810	6-11			2752573	6-11	2792327	6-14
2220833	6-5	2720112	2-81	2752580	6-12	2820031	2-34, 2-55, 2-87
2220873	6-11, 6-13	2720144	2-81, 2-103	2752584	6-3, 6-5	2820035	4-4, 4-8, 7-17, 7-25, 7-34
2220883	5-5, 5-7, 5-9, 5-13	2720160	2-60	2752587	6-11		
2220885	5-3, 5-5, 5-7, 5-13, 5-16, 5-21	2720271	2-28, 2-38, 2-44, 2-59, 2-67, 2-69	2752588	6-12	2820078	2-130
2220886	5-3	2720339	2-46	2752591	6-12	2820079	2-130
2220893	2-4	2720341	2-77	2752592	6-3, 6-5	2820080	2-130
2220906	6-12	2720351	2-38, 2-45	2752594	6-11	2820081	2-130
				2752596	6-12	2840016	2-121
				2752597	6-12		

SECTION 11 PARTS NUMBER INDEX

Part Number	Page	Part Number	Page	Part Number	Page	Part Number	Page
28600122-34, 2-54, 2-86	2940088 2-124, 2-128	3311401	2-89, 2-113, 3-4, 4-12	3340756 3-14
2860030	...2-108, 2-113, 9-1	3010088 4-44			3340757 3-14
2900138 1-19, 1-20	3020021 2-39, 2-50	3311402 3-4, 3-10, 5-10	3340758 3-14
2900202 1-20	3100076 2-46	3311405	. 2-4, 2-28, 2-38, 2-44, 2-57, 2-59, 2-65, 2-67, 2-75, 2-81, 2-90, 2-102, 2-117, 2-129, 3-23, 3-28, 4-4, 4-5, 4-8, 4-12, 4-17, 4-44, 5-10, 8-4, 8-8, 10-3	3340759 3-13, 3-15
29007522-94, 2-95, 2-96	3124114 2-78			3340763 3-23
29007661-25, 1-26, 2-20	3160200 2-13, 2-23			3340764 3-23, 3-27
29007671-26, 2-19, 2-20	3160204 1-15, 1-29			3340800 3-4, 3-10
29007681-25, 1-26, 2-20	3160273 2-13, 2-23			3340844 3-13, 3-15
29007702-3, 3-18, 5-3	3200362	2-27, 2-46, 2-58, 2-66, 2-74, 2-91			3340871 3-14
2900788 1-29					3340881 3-14
2900792	. 5-5, 5-7, 5-9, 5-13	3200377 2-57			3340900 3-15
2900826 2-95, 2-96	3200378 2-27, 2-37, 2-43			3380429	2-46, 2-61, 2-67, 2-74, 2-90
29008272-94, 2-95, 2-96	3200401 2-89			33804344-5, 4-8, 8-4, 8-8
2900937 8-10	3220097 2-30, 2-62	3311501	2-4, 2-124, 2-129, 4-43	3420592 1-33
2900967 8-5	3220098 2-62			3421453 1-33
2900970 8-5	3220099 2-30	3311505	1-31, 2-30, 2-38, 2-39, 2-45, 2-47, 2-61, 2-62, 2-63, 2-70, 2-76, 2-78, 2-90, 2-91, 2-102, 2-124, 2-129, 3-24, 3-28, 4-4, 10-4	3421565 2-13
2901271 5-3	3220100 2-39			3421627 2-13
2901284 5-21	3220101 2-39			34223251-3, 1-4, 1-7, 1-8
2901285 5-9	3220103 2-47			3422326 1-4, 1-9, 1-11
2901301 5-7, 5-16	3220104 2-47			3422327 1-9, 1-11
2901303 5-5, 5-13, 5-16	3220105 2-30, 2-62			3422328 1-9, 1-12
2901358 2-38, 2-45	3220106 2-62			3422330 1-9, 1-11
2901362 2-60, 2-67, 2-75	3220107 2-30			3422332 1-3, 1-7
2901363 2-29	3220111 2-47, 2-70	3311601	2-47, 2-70, 2-101, 2-102, 2-125, 2-129, 4-13, 4-19	3422333 1-3, 1-7
2901392 2-37, 2-44	3220113	2-47, 2-70, 2-78, 2-91			3422335 1-5
2901443 7-25, 7-34			3311605	. 1-9, 1-11, 2-28, 2-38, 2-44, 2-54, 2-59, 2-66, 2-75, 2-86, 2-90, 2-121, 2-124, 2-129, 3-9, 3-14, 3-24, 3-27, 4-5, 4-8, 4-13, 4-17, 4-44	3422351 1-4
2901539 2-68	3220114 2-70, 2-78			3422352 1-4
2901540 2-45	3250872 1-33, 1-34, 8-5			3422417 3-14
2901691 10-3	3250914 2-28, 2-37, 2-59			3422418 3-3, 3-9
2901763 2-9	3251102	2-34, 2-55, 2-87, 4-20			3422419 3-9
2901959 2-90					3422420 3-9
2901986 3-15	3251243 8-3			3422421 3-9
2902114 3-23	3251813 8-3, 8-7			3422422 3-9
2902115 3-23	3252220 8-9			3422424 3-14
2902203 10-4	3252489 8-9			3422425 3-3
2902232 10-3	3252507 8-3	3311608 2-28	3422432 3-9
2910000	2-28, 2-38, 2-45, 7-14	3252540 8-9	3311705 2-29, 2-54, 2-87	3422433 3-3, 3-8
		3272605 3-5, 3-11, 3-17	3311801	1-15, 2-29, 2-39, 2-46, 2-61, 2-68, 2-75, 2-90	3422434 3-3
2910001 7-14	3290801 2-38			3422435 3-3, 3-9
2910045 8-10	3300007 1-5, 1-15			3422436 3-3
2910073 10-4	3300151 4-4, 10-3			3422437 3-3, 3-9
2910460 10-2	3300205 2-109, 2-114	3311805	2-38, 2-44, 2-59, 2-66, 2-75, 2-90, 2-105, 2-121, 2-124, 2-129, 3-4, 3-5, 3-10, 3-11	3422438 3-4
2910462 10-2	3300229 1-4, 1-9, 1-11			3422440 3-9
2910463 10-2	3300241 3-14			3422445 3-9
2910464 10-2	3300353 4-19			3422446	2-27, 2-37, 2-43, 2-59, 2-66, 2-74, 2-89
2910869 4-13, 4-19	3300390 2-110	3312002 1-4, 1-9, 1-12		
2910924 10-2	3300393 4-4	3312201 3-14		
2910931 10-2	3300408	. 2-110, 2-113, 4-18	3312602 3-23		
2915014 2-113	3300505 2-67	3321001 2-28	3422448 2-74
2920110 2-118	3310601 2-109, 2-121	3321005 2-44	3422489 3-4
2920113 2-118	3310805 2-103, 2-117	3321401 2-57, 2-65	3422530 2-121
2920129	4-13, 4-14, 4-18, 7-8, 7-11, 7-21, 7-30	3311001	2-90, 2-109, 2-124, 2-129, 4-7, 4-13, 4-21	3321402 2-29	3422532	2-29, 2-38, 2-45, 2-60, 2-68, 2-75, 2-91
2920140	4-4, 4-8, 7-17, 7-25, 7-34	3311005	2-34, 2-38, 2-55, 2-59, 2-67, 2-73, 2-81, 2-86, 2-119, 4-4, 4-13, 4-14	3321501 2-129		
2920162 2-33, 2-54, 2-86			3321602 2-29, 2-90		
2920215 2-118			3323002 1-4, 1-9, 1-11	3422533 2-45
2940074 4-4, 4-7, 9-1			3323403 1-5	3422552 1-33
				3324203 1-5	3422553 1-33
				3340705 3-14	3422557 3-3, 3-9
				3340755 3-14	3422558 3-9

SECTION 11 PARTS NUMBER INDEX

Part Number	Page	Part Number	Page	Part Number	Page	Part Number	Page
3422559	3-9	3537288	2-59, 2-61	3580249	3-13	3790152	2-29, 2-38, 2-45, 2-58, 2-65, 2-73, 2-91
3422560	3-9	3537290	2-27	3580250	2-85	3820001	1-33, 1-34, 2-119, 8-4, 8-8
3422561	3-9	3537318	2-13	3580255	2-33	3841013	3-28
3422562	3-3	3537416	2-37, 2-43	3580259	2-46	3841143	1-3, 1-4, 1-7, 1-9, 1-11, 2-28, 2-37, 2-43, 2-59, 2-66, 2-74, 2-89, 3-4, 3-9, 3-14
3422563	3-9	3537417	2-37, 2-43	3580260	2-68	3841234	1-9, 1-11
3422564	3-3, 3-8	3537420	2-37, 2-43	3580276	2-54, 2-86	3841236	1-4
3422565	3-3	3537445	2-121	3600164	2-27, 2-37, 2-57, 2-65, 2-94	3841255	2-57, 2-65
3422566	3-3, 3-9	3537446	2-121	3600242	2-27, 2-37, 2-43, 2-57, 2-65, 2-73, 2-89, 2-99	3841258	1-3, 1-4, 1-7, 1-8, 3-4, 3-9
3422567	3-3	3537691	2-27, 2-37	3600243	2-3	3841264	3-23
3422568	3-3, 3-9	3538047	1-3, 1-4, 1-7, 1-8	3600260	2-27, 2-43, 2-57, 2-65, 2-73, 2-89, 2-94	3841288	2-28
3422569	3-4	3538724	2-27, 2-37, 2-58	3600377	2-76	3841322	1-34
3422574	3-9	3538749	3-23	3620030	2-27	3841329	1-34
3422580	3-4	3538758	3-23, 3-27	3620032	2-58	3841340	3-4, 3-10
3422583	3-9	3538819	4-11	3620033	2-37, 2-43	3841510	1-9, 1-11
3422591	1-3, 1-4, 1-7, 1-8	3538873	2-58, 2-66	3620040	2-66, 2-74, 2-89	3841516	2-89
3422753	1-9, 1-11	3539139	2-28	3640493	7-2	3860050	3-28
3422860	3-9	3539219	2-109, 2-113	3640970	2-109, 4-14	3890005	3-13
3422861	3-9	3539275	4-13, 4-14	3641182	4-14	3890006	3-13
3422867	3-9	3539281	2-118	3700010	2-109, 4-12	3890007	3-13
3422902	1-9, 1-11	3539475	3-4, 3-10	3730022	7-11	3890008	3-13
3422903	1-9, 1-12	3539476	3-4, 3-10	3730023	7-11	3900141	5-13
3422904	1-7	3539476	3-4, 3-10	3730099	7-11	3900207	4-3, 4-4
3430816	2-121	3539504	2-34	3730120	7-32	3900217	2-29, 2-90
3450304	4-19	3539563	3-4, 3-10	3730121	7-32	3900224	4-13, 4-19
3450404	2-121	3539590	2-125, 2-129	3740049	2-109, 2-114, 4-13, 4-14, 7-3, 7-4, 7-17, 7-25, 7-30, 7-34, 9-1	3900230	5-9
3450806	3-28	3539622	3-15	3740057	2-110, 7-4	3900232	2-47, 2-70, 2-124, 2-129
3451010	1-5	3539662	1-33, 1-34	3740058	4-12, 7-2	3900268	2-109, 2-114
3451012	1-5	3539685	4-4	3740063	4-12, 7-2	3900272	2-45, 2-90
3480176	5-3	3539719	4-43	3740066	2-110, 7-4	3910608	2-108, 2-121
3480188	5-7, 5-15	3539872	2-27, 2-43, 2-66, 2-89	3740067	2-27, 2-37, 2-43, 2-58, 2-66, 2-74, 2-89, 9-1	3910610	2-121, 4-11
3480205	5-21	3539877	1-3, 1-8	3740080	2-34, 2-54, 2-58, 2-66, 2-74, 2-87	3910804	2-110, 2-113
3480206	5-9	3539878	1-3, 1-8	3740112	2-109	3910808	2-103
3480210	5-5, 5-13, 5-15	3539934	2-128	3740113	2-110, 4-12	3911008	4-4, 4-7
3510488	4-3	3539955	2-130	3740115	4-12	3911024	2-110
3510497	4-3	3539957	2-46, 2-61, 2-67, 2-74, 2-90	3740126	2-91, 7-15	3911040	2-119
3510542	4-3	3539971	2-43	3740132	2-110	3930816	2-117
3510543	4-3	3539972	2-57, 2-65, 2-73	3760170	2-13	3930828	2-117
3510545	4-3	3539979	2-129	3760367	5-3	3931408	2-46, 2-69, 2-117
3510546	4-3	3570103	2-59, 2-66, 2-74	3760368	5-5, 5-13, 5-15	3931448	5-21
3510565	4-3	3570104	2-61, 2-67	3760369	5-7, 5-15, 5-21	3931508	5-21
3510566	4-3	3570133	2-61, 2-68, 2-75	3760372	5-9	3931516	5-5, 5-13, 5-15
3510728	4-3	3570238	2-46, 2-68	3780187	1-5, 1-9, 1-12	3931620	2-28, 2-37, 2-44, 2-57, 2-65, 2-73, 2-89, 5-7, 5-15, 5-21
3510760	4-3	3570283	2-89	3790012	2-68, 2-76, 2-119, 4-5, 4-8, 4-12, 4-14, 4-18, 4-20, 4-21	3931672	4-13, 4-19
3510822	4-7	3570288	2-91	3790109	4-13	3931720	5-3
3510833	4-7	3570752	2-81	3790110	3-18	3931840	1-4, 1-8
3520026	2-110	3570754	2-47			3931860	2-13
3520028	2-33, 2-34, 2-54, 2-55, 2-86, 4-12, 4-17	3571421	2-43, 2-66			3932032	5-9
3520033	2-124, 2-128	3571498	2-73				
3520035	2-114	3571692	2-74				
3520054	2-110	3572414	2-75				
3520072	4-4, 4-7	3572423	2-102				
3520173	4-13	3572601	2-89				
3520174	2-110, 4-19	3580134	2-33, 2-54, 2-86				
3530072	4-43	3580158	2-53				
3530168	2-110	3580241	3-13				
3536089	4-4, 4-8	3580243	3-13				
3537287	2-27	3580244	3-13				
		3580248	3-13				

SECTION 11 PARTS NUMBER INDEX

Part Number	Page	Part Number	Page	Part Number	Page	Part Number	Page
3932224	2-13	4070944	1-3, 1-8	4360265	2-67	4460205	7-16, 7-17, 7-21, 7-24, 7-25, 7-29, 7-33, 7-34
3950803	5-9	4070945	1-3, 1-8	4360282	2-109, 4-12	4460224	7-11, 7-14, 7-15, 7-23
3951608	3-14	4070975	3-14	4360289	2-107, 4-11	4460225	7-8, 7-11, 7-20, 7-23, 7-28
3960343	1-5	4070976	3-14	4360294	2-29, 2-34, 2-38, 2-45, 2-55, 2-60, 2-68, 2-75, 2-87, 2-91, 9-1	4460226	4-18, 4-19, 7-20, 7-23, 7-28, 7-29, 7-30, 7-31
3960389	2-29, 2-44, 2-61, 2-68, 2-75, 2-90, 2-128	4070977	3-14	4360314	2-109, 4-12, 4-14	4460227	7-20, 7-23, 7-28, 7-29, 7-31
3960407	2-39, 2-45	4070987	2-110, 2-113	4360315	2-108	4460233	7-16, 7-17, 7-24, 7-25, 7-33, 7-34
3960438	2-128	4070991	2-110, 2-113	4360322	2-117	4460234	2-110, 2-113, 2-118, 2-119, 4-18
3960447	2-124	4070994	3-28	4360328	2-113, 4-17, 4-21, 9-1	4460265	4-24, 4-27, 4-34, 7-8, 7-13
3960453	2-125, 2-128	4070995	3-28	4360331	4-5, 4-8, 4-12, 4-14, 4-17, 9-1	4460266	4-24, 4-27, 4-34, 7-13, 7-15
3960461	2-119	4071004	3-14	4360336	2-34, 2-55, 2-68, 2-76, 2-87, 2-119, 4-5, 4-8, 4-14, 4-20, 9-1	4460267	4-24, 4-27, 4-34, 7-8, 7-11, 7-13, 7-16, 7-23, 7-24, 7-25, 7-30, 7-32, 7-33
3960462	2-124, 2-128	4071005	3-15	4360387	2-110, 4-11, 4-17, 4-20, 4-44, 9-1	4460268	4-24, 4-27, 4-34, 7-11, 7-13, 7-14, 7-15, 7-16, 7-22, 7-23, 7-24, 7-25, 7-30, 7-31, 7-32, 7-33
3960464	2-125, 2-128	4100025	2-39, 2-47, 2-61, 2-68	4360392	2-27, 2-37, 2-43, 2-58, 2-66, 2-74, 2-89, 9-1	4460320	7-11, 7-13, 7-16, 7-23, 7-24, 7-30, 7-32, 7-33
3960468	2-29, 2-46, 2-61, 2-67, 2-76, 2-91	4100026	7-9, 7-21, 7-29	4360395	2-107, 4-11	4460326	7-11, 7-16, 7-23, 7-24, 7-30, 7-32, 7-33
3960469	2-46, 2-61, 2-67, 2-76, 2-91	4100033	3-4, 3-10	4360402	2-109	4460346	7-16, 7-24, 7-33
3960470	2-129	4120012	2-109, 7-4	4360405	2-58, 2-65	4460374	7-13
3990001	7-8, 7-11	4120013	4-15, 7-2	4360407	4-11, 4-17	4460375	7-13
3990010	7-8, 7-11, 7-14, 7-16, 7-24, 7-31, 7-34, 9-1	4120035	4-14, 7-8, 7-11, 7-20, 7-22, 7-28, 7-31	4360417	2-117	4460418	7-8, 7-10, 7-14, 7-20, 7-21, 7-28, 7-30
4060092	7-16, 7-24, 7-33	4130308	1-8, 1-11	4360436	2-101, 2-102	4460419	7-8, 7-10, 7-14, 7-20, 7-21, 7-28, 7-30
4060700	7-16, 7-24, 7-33	4130309	1-8, 1-11	4360455	2-58, 2-65	4460424	7-11, 7-13, 7-16, 7-22, 7-23, 7-24, 7-25, 7-30, 7-31, 7-32, 7-33
4060802	2-34, 2-55, 2-87, 4-20	4130311	1-4	4360469	2-108, 2-113, 9-1	4460425	4-44, 7-17, 7-25, 7-34
4060803	3-28, 4-4	4130312	1-4	4360475	2-107, 2-113, 4-11, 4-17, 9-1	4460426	2-109, 2-114, 7-30
4060804	2-29, 2-39, 2-46, 2-60, 2-68, 3-24	4130353	1-4	4360476	2-109, 2-113, 4-12, 4-17	4460428	2-109, 2-114, 2-117, 4-12, 4-17, 4-44, 7-8, 7-17, 7-20, 7-28
4060805	2-29, 2-39, 2-46, 2-60, 2-68, 2-76, 2-91, 3-15	4130354	1-4	4360542	2-33, 2-54, 2-86	4460434	7-28, 7-31
4060806	2-60, 2-76	4130381	1-8, 1-11	4400275	2-103, 10-4	4460442	7-17
4060808	1-31	4130382	1-8, 1-11	4400375	2-101, 2-102		
4060870	1-31	4160138	2-28	4400376	2-101		
4060874	1-31	4160139	2-124, 2-129	4400400	2-101		
4060906	2-109, 2-113	4160143	2-124, 2-129	4400407	2-102		
4060907	2-118	4220162	2-118	4400420	10-4		
4060918	2-4	4220164	4-4	4400449	2-101, 2-102, 2-103		
4060959	10-2	4220165	4-4	4420038	2-101, 2-102, 2-109		
4070410	2-125, 2-129	4220168	4-4	4420060	2-117		
4070411	2-125, 2-129	4240018	4-15, 6-13	4460023	2-34, 2-54, 2-86		
4070412	2-125, 2-129	4240032	2-60, 2-118, 2-119, 4-15	4460027	2-33, 2-54, 2-85, 2-86, 7-16, 7-25		
4070863	3-14	4240033	2-67, 3-4, 3-10	4460049	4-43		
4070864	3-14	4240099	2-60, 2-61, 2-67, 2-81, 4-4, 4-8	4460071	4-8, 4-12, 4-18, 7-20, 7-24, 7-28, 7-34		
4070878	1-3, 1-4, 1-7, 1-8	4240112	2-101, 2-102	4460125	7-16, 7-17, 7-24, 7-25, 7-33		
4070879	1-3, 1-4, 1-7, 1-8	4240113	2-101	4460134	7-16, 7-17, 7-21, 7-24, 7-25, 7-29, 7-33, 7-34		
4070895	3-14	4280295	2-101	4460190	2-33, 2-54, 2-85, 2-86, 7-17, 7-25		
4070896	3-14	4300056	2-57, 2-65				
4070897	3-14	4300092	1-15				
4070898	3-14	4300097	1-15				
4070904	3-23	4300148	2-90				
4070909	3-14	4340678	4-11, 4-18				
4070910	3-14	4340684	4-11, 4-18				
4070911	3-14	4360031	4-7				
4070929	3-15	4360037	2-57, 2-65				
4070939	3-15	4360057	4-44				
4070940	3-15	4360065	2-58, 2-65				
		4360157	2-58, 2-62, 2-65				
		4360188	2-81, 2-83				
		4360232	4-12, 4-21, 7-25, 7-34, 9-1				
		4360256	2-46				

SECTION 11 PARTS NUMBER INDEX

Part Number	Page	Part Number	Page	Part Number	Page	Part Number	Page
4460445	7-11, 7-13, 7-15, 7-23, 7-24, 7-30, 7-32, 7-33	4460611	2-29, 2-38, 2-45, 2-60, 2-68, 2-75, 2-91	4460880	7-22, 7-23, 7-30, 7-31, 7-32	4640858	5-3
4460449	7-14	4460613	4-15, 7-8	4460887	7-20, 7-22, 7-28, 7-31	4640862	5-21
4460457	2-91, 7-13, 7-15, 7-22, 7-31	4460614	7-9	4460889	7-22, 7-31	4640871	1-3, 1-7
4460458	2-91, 7-13, 7-15, 7-22, 7-31, 7-32	4460620	7-8	4460890	7-22, 7-31	4640902	5-13
4460459	2-91, 7-13, 7-15	4460621	7-8	4460905	4-19, 7-28, 7-30, 7-31	4640906	2-3
4460460	7-13, 7-22, 7-31	4460628	2-109	4460978	7-32	4640907	2-3
4460464	4-18, 7-8, 7-11, 7-20, 7-22, 7-28, 7-31	4460629	4-14	4460979	7-32	4640908	2-3
4460465	7-9, 7-11, 7-12, 7-21, 7-29	4460630	2-109	4520142	1-17	4640919	2-3, 2-7
4460466	7-9, 7-21, 7-29	4460631	2-109, 4-15	4520200	1-17	4640921	2-3, 2-11
4460467	4-12, 7-17, 7-25, 7-34, 10-4	4460632	4-15	4520258	1-17	4640922	2-3, 2-11
4460470	2-114, 4-12, 4-18, 7-8, 7-20, 7-28, 7-30	4460634	7-11, 7-31	4562516	2-60	4640923	1-31
4460471	2-114, 4-12, 4-17, 7-8, 7-20, 7-28, 7-30	4460635	7-11, 7-31	4564281	2-58, 2-65, 2-77	4640931	2-3
4460473	7-9, 7-21, 7-29	4460693	7-15	4564417	2-86	4640932	5-5, 5-7
4460475	2-91, 7-15	4460701	7-16, 7-17, 7-24, 7-25, 7-33, 7-34	4566468	5-5, 5-7, 5-15	4640937	1-31
4460476	2-91, 7-13, 7-15	4460708	4-19, 7-29, 7-30	4566471	5-13	4640939	6-9
4460488	2-114, 4-18	4460711	2-110	4566501	5-9	4640952	2-27
4460499	2-8, 2-11, 7-11, 7-13, 7-15, 7-16, 7-24, 7-33	4460713	7-13, 7-22, 7-31	4566605	2-57, 2-65, 2-73	4640989	2-57, 2-65, 2-73
4460502	7-9	4460720	7-8	4566644	5-21	4641019	2-89
4460503	4-15, 7-8	4460721	7-8	4566971	1-33, 1-34	4641022	2-101, 2-102
4460508	7-8, 7-11, 7-20, 7-22, 7-28	4460725	7-13, 7-22, 7-32	4566986	2-29, 2-39, 2-60	4641028	5-21
4460509	7-9, 7-21, 7-29	4460726	7-13, 7-22, 7-32	4567071	2-59, 2-67	4641096	2-3, 2-7
4460510	4-12, 7-17, 7-25, 7-34, 10-4	4460728	7-22, 7-32	4567073	2-30, 2-63, 2-70, 2-78, 2-91	4641162	5-3
4460526	2-109, 2-110, 2-114, 7-30	4460742	7-14, 7-23, 7-32	4567112	2-43	4700005	2-81
4460536	7-11	4460758	2-110	4567169	2-61	4711000	4-13
4460539	7-11	4460759	2-109	4567172	1-34	4711400	1-3, 1-7, 2-4, 2-29, 2-39, 2-46, 2-60, 2-68, 2-76, 2-91, 2-118, 3-24, 3-28, 4-4, 4-8, 4-44, 10-3
4460579	7-13, 7-22, 7-31	4460760	2-110	4567215	2-68	4711500	1-33, 1-34, 2-4, 2-30, 2-39, 2-47, 2-62, 2-63, 2-70, 2-78, 2-91, 2-102, 3-24, 3-28, 4-19, 10-4
4460580	7-13, 7-22, 7-31	4460761	7-20, 7-29, 7-31	4567403	2-46, 2-68	4711600	1-3, 1-4, 1-7, 1-8, 1-33, 2-4, 2-39, 2-46, 2-90, 3-4, 3-10, 3-14, 3-24, 3-27
4460582	7-13, 7-22, 7-31	4460777	7-14	4567404	2-46, 2-68	4711800	1-7, 2-121, 3-4, 3-10, 3-24, 3-27
4460587	7-13	4460780	7-12	4567428	2-46	4711900	2-47
4460588	7-13	4460783	7-12	4567429	2-47	4712000	1-15
4460589	7-13, 7-14	4460784	7-12	4567430	2-47	4712600	1-33, 3-23, 3-28
4460590	7-13	4460790	7-13	4567431	2-47	4713000	1-33
4460591	7-13, 7-14, 7-15	4460799	7-13, 7-22, 7-32	4567433	2-47	4713400	1-33
4460598	4-5, 4-8, 4-21, 7-17, 7-25, 7-34	4460800	7-13, 7-22, 7-32	4567451	2-46	4740067	1-5
4460600	2-109, 4-14, 7-4	4460836	7-13	4567573	2-46	4740076	2-124, 2-125, 2-129, 3-23
4460601	2-109, 4-14	4460837	7-13	4567576	2-46	4740111	1-5, 1-9, 1-12
4460602	2-109, 4-14	4460850	7-12	4567580	2-46, 2-69	4740158	1-3, 1-4, 1-7, 1-8, 3-4, 3-10
4460603	2-109, 4-14	4460856	7-13	4567581	2-46, 2-69	4740171	2-124, 2-129
4460607	2-109, 4-14, 7-2	4460857	7-13	4567730	2-69	4740256	1-5, 1-9, 1-12
4460608	7-13, 7-14, 7-15	4460865	7-21, 7-29	4567731	2-69	4740274	2-29, 2-46, 2-61, 2-68, 2-75, 2-90
		4460866	7-20, 7-22, 7-28, 7-31	4567815	2-46	4740283	1-5
		4460871	4-18, 4-29, 4-30, 4-39, 4-40, 7-20, 7-21, 7-22, 7-23, 7-28, 7-30, 7-31, 7-32, 7-34	4567878	2-75		
		4460873	7-20, 7-22, 7-28, 7-31	4567879	2-75		
		4460874	2-114, 7-20, 7-28, 7-30	4568116	2-101		
		4460875	2-114, 7-20, 7-28, 7-30	4568119	2-101		
		4460876	7-22, 7-31	4568158	2-76		
		4460878	7-22, 7-31	4640113	1-17		
		4460879	7-20, 7-28	4640261	1-33		
				4640391	2-81		
				4640509	5-5, 5-7, 5-9, 5-13		
				4640525	5-3		
				4640744	6-11		
				4640750	2-57		
				4640751	2-37, 2-43		
				4640799	5-9		
				4640812	1-4, 1-9, 1-12		

SECTION 11 PARTS NUMBER INDEX

Part Number	Page	Part Number	Page	Part Number	Page	Part Number	Page
4740314	1-5, 3-4, 3-10	4770600	2-121	4845410	4-3	4921827	7-17, 7-25, 7-34
4740362	2-119, 4-5, 4-8, 4-12, 4-18	4791400	2-39, 2-45, 2-57, 2-61, 2-66, 2-81	4845411	2-129	4921828	7-16
4740391	1-9, 1-12	4791600	2-58, 2-60, 2-67	4845412	4-3	4921849	2-108, 7-11
4740397	2-34, 2-55, 2-87, 4-20	4812000	2-86	4845413	4-3	4921850	7-17, 10-4
4740439	3-9	4831900	2-29, 2-39, 2-46, 2-50, 2-60, 2-68, 2-76	4845426	4-3	4921923	2-108, 7-11
4740442	2-29, 2-90	4832000	2-39, 2-50, 2-59, 2-67, 2-75	4845453	2-27	4921924	2-108, 7-12
4740444	2-109, 2-114	4844623	2-37	4845469	4-3	4921925	2-108, 7-12
4740449	1-9, 1-12	4844690	1-7	4845531	2-54	4921926	2-108, 7-12
4740463	1-5, 1-9, 1-12	4844777	1-3, 1-8	4845532	2-89	4921927	2-4, 7-15, 7-24, 7-33
4750600	2-109, 2-121	4844790	3-3, 3-8	4845534	2-89	4921928	2-4, 7-15, 7-24, 7-33
4750800	2-103	4844815	3-8	4845588	1-7	4921938	7-16
4751000	2-28, 2-34, 2-38, 2-44, 2-55, 2-59, 2-65, 2-67, 2-73, 2-81, 2-87, 2-90, 2-109, 2-119, 2-121, 2-124, 2-129, 4-4, 4-7, 4-13, 4-14, 4-44	4844816	3-8	4845612	2-68	4921954	7-17, 7-25, 7-34
4751400	2-28, 2-38, 2-44, 2-59, 2-67, 2-75, 2-81, 2-90, 2-114, 2-117, 2-129, 3-4, 3-10, 4-4, 4-5, 4-8, 4-13, 4-18, 5-10, 8-4, 8-8	4844817	3-8	4845667	2-70	4921970	2-108, 7-12
4751500	1-31, 2-34, 2-46, 2-55, 2-67, 2-73, 2-86, 2-124, 2-129, 2-130, 4-4, 4-43	4844924	4-3	4845671	3-27	4921991	4-14, 7-8
4751600	1-31, 2-28, 2-34, 2-38, 2-44, 2-47, 2-54, 2-59, 2-66, 2-70, 2-75, 2-86, 2-90, 2-101, 2-102, 2-103, 2-105, 2-124, 2-129, 3-24, 4-5, 4-8, 4-12, 4-18, 4-44	4844925	4-3	4845677	3-27	4921993	7-10
4751800	1-3, 1-7, 2-29, 2-39, 2-46, 2-59, 2-66, 2-75, 2-90, 2-105, 4-43	4844926	4-3	4845799	2-47	4922002	7-10
4751900	2-34, 2-54	4844927	4-3	4845819	3-27	4922006	7-10
4752000	2-29, 2-39, 2-45, 2-60, 2-68, 2-76, 2-91	4844928	4-3	4846011	2-74	4922007	7-10
4760600	2-109	4844944	3-3, 3-8	4846046	2-74	4922008	7-10
4761000	1-5, 2-110, 2-124, 2-129, 4-4, 4-13, 4-21	4844954	4-3	4846101	4-3	4922012	7-17, 10-4
4761400	2-114	4844955	4-3	4846102	4-3	4922077	7-12
4761500	2-73, 4-43	4844956	4-3	4846103	4-3	4922095	7-3
4761600	1-34	4844961	2-27, 2-37	4846253	4-3	4922145	7-10
		4844963	3-23	4846254	4-3	4922164	2-108, 7-11
		4844966	3-23	4846255	4-3	4922166	2-108, 7-12
		4844967	3-23	4846257	2-129	4922167	7-10
		4844968	3-23	4846288	1-7, 1-8	4922185	2-108, 7-12
		4844971	2-59	4846319	3-13	4922200	2-108
		4844989	3-23	4846391	3-27	4922329	2-108, 7-12
		4844990	3-23	4846392	3-27	4922335	7-10
		4845035	2-58, 2-66, 2-89	4846452	4-7	4922380	2-108, 7-12
		4845059	2-27	4846479	2-43	4922466	7-21, 7-29
		4845080	2-37, 2-43	4846566	2-43	4922467	7-21, 7-29
		4845105	3-13	4846573	3-5, 3-11	4922468	7-21, 7-29
		4845152	2-59	4847072	2-28	4922475	7-21
		4845157	2-28	4860148	1-17	4922482	7-25, 7-34
		4845181	2-34	4891400	2-4	4922483	7-24
		4845184	2-54	4891500	2-4	4922484	7-25
		4845243	2-124	4891600	2-4, 2-28, 2-38, 2-44, 2-58, 2-65, 2-73, 2-90, 2-121, 3-5, 3-11, 3-15	4922485	2-114, 7-20
		4845281	1-33	4891800	1-15, 2-4, 2-13, 2-121, 3-5, 3-11, 3-15	4922498	7-34
		4845282	1-33			4922509	7-3, 7-20
		4845283	1-33			4922513	7-23, 7-30, 7-32
		4845286	1-33			4922514	7-22, 7-30, 7-31
		4845308	4-43			4922515	7-22, 7-30, 7-31
		4845309	4-43			4922542	7-3
		4845327	4-3			4922621	7-23
		4845328	4-3			4922636	7-30
		4845356	2-125, 2-129			4922637	7-30
		4845393	2-101, 2-102			4922639	4-18, 7-28
		4845394	2-46			4922641	7-34
		4845395	2-45			4922643	7-3, 7-34
		4845404	2-27, 2-43, 2-59, 2-66, 2-74, 2-89			4922648	7-30
		4845408	4-3			4922666	2-114, 4-18, 7-29, 7-31
		4845409	4-3				31
						4922790	7-29
						4922791	7-29
						4922792	7-29
						4932783	7-2
						4932794	7-5, 7-10

SECTION 11 PARTS NUMBER INDEX

Part Number	Page	Part Number	Page	Part Number	Page	Part Number	Page
4932795	7-4, 7-10	70000163	2-69	70002734	4-30	7002822	10-4
4932796	7-4, 7-10	70000342	3-21	70002735	4-30	7002823	7-17, 7-25, 7-34, 10-4
4932812	7-5	70000579	2-7	7000274	1-19	7002826	10-4
4932815	7-4	70000580	2-7, 9-1	7000275	1-19	7002828	7-17, 7-25, 7-34
4932828	7-2, 7-16	70000582	2-7	7000276	1-19	7002840	1-3, 1-7, 10-4
4932839	7-3	70000583	2-7	7000279	1-19	7003657	2-33, 2-53, 2-85
4932848	7-3, 7-8	70000646	2-69	7000280	1-19	7003886	4-34
4932894	7-2	70000787	2-40	70002813	2-47	7003928	4-27, 4-29
4932896	7-2	70001002	2-48, 2-49	7000282	1-19	7003933	4-39
4932902	7-2	70001017	2-47, 2-78	7000283	1-20	7003935	4-37, 4-39
4932903	7-2	70001423	2-48, 2-49	7000284	1-20	7003941	4-37, 4-39
4932904	7-5	70001498	2-48	7000285	1-20	7003946	4-33, 4-37, 4-39
4932905	7-3, 7-8	70001681	2-48, 2-49	7000286	1-20	7003951	4-23
4932906	7-4, 7-10	70001697	3-18, 3-21	7000287	1-20	7003952	4-27
4932908	7-5, 7-10	70001941	2-118	7000288	1-20	7003953	4-27, 4-29
4932910	7-4, 7-10	70001976	2-7, 2-11	7000289	1-20	7003954	4-27
4932914	7-3, 7-8	7000209	2-17	7000290	1-20	7003955	4-27
4932915	7-2, 7-16	7000214	2-17	70002906	4-30	7003956	4-23, 4-27
4932917	7-3	7000217	2-17	7000293	1-20	7003957	4-23, 4-33
4932940	7-2, 7-16	7000218	1-19	7000295	1-20	7003958	4-23
4932958	7-4	7000220	1-19	70003483	4-7	7003959	4-23
4932959	7-4	70002200	2-49	70003556	2-48	7003960	4-23
4932961	7-5, 7-10	70002208	2-24	70003784	4-11, 4-17	7003961	4-23
4932971	7-4	7000221	1-20	7000625	4-7	7003966	4-33
4932977	7-2	7000222	1-20	7000646	2-61	7003967	4-33
4932980	7-4	70002234	2-40, 2-48	7000663	2-40, 2-47, 2-48	7003968	4-33
4932986	7-2	70002235	2-33, 2-53, 2-85	7000699	2-40, 2-48	7003969	4-37, 4-39
4932989	7-2, 7-16	70002243	2-23	7000731	1-15, 1-26	7003972	4-33, 4-37, 4-40
4932990	7-2	7000225	1-20	7000796	1-25	7003973	4-33, 4-37, 4-40
4932993	7-2	7000228	2-17	7000868	2-61	7003974	4-24, 4-27, 4-34
4933025	7-2	7000229	2-17	7000884	2-61, 2-69	7003976	4-23, 4-27, 4-29
4933026	7-2	7000230	2-17	7000897	2-69, 2-76	7003977	4-23, 4-27, 4-29
4933027	7-5	70002307	2-62, 2-70, 2-77	7001438	2-95	7003978	4-33
4933054	7-5, 7-10	70002411	2-48, 2-49	7001498	2-95	7003980	4-37, 4-40
4933062	7-4, 7-10	7000243	1-19	7001625	5-19	7003981	4-33
4933113	7-5, 7-10	7000246	2-17	7001626	5-19	7003982	4-33, 4-40
4933149	7-2, 7-16	7000253	2-17	7001627	5-19	7003983	4-37, 4-40
4933150	7-2, 7-16	70002530	2-48, 2-49	7001629	5-19	7003984	4-33
4933152	7-5, 7-10	7000255	2-17	7001630	5-19	7003985	4-34
4933155	7-5, 7-21	7000256	2-17	7001633	5-19	7003986	4-39
4933156	7-4	70002567	2-77	7001711	1-23	7003989	4-37, 4-40
4933158	7-2, 7-24	7000257	2-17	7001900	1-19	7003992	4-27, 4-29, 4-37, 4-39
4933162	7-3, 7-24	7000258	2-17	7001902	1-19	7003993	4-27, 4-29, 4-37, 4-39
4933169	7-4, 7-21	7000263	2-17	7001904	1-19	7003994	4-39
4933175	7-3	7000265	1-19	7001906	1-19	7004035	2-23
4933189	7-3	7000269	2-17	7001909	2-17	7004043	2-24
4933215	7-2, 7-34	7000270	2-17	7001911	2-17	7004044	2-24
4933216	7-3, 7-34	7000272	1-19	7001917	1-19	7004275	10-4
4933217	7-3	70002724	4-39	7001918	1-19	7004276	10-4
4933218	7-4	70002725	4-39	7001927	1-19, 1-20	7005841	2-23
4933219	7-3	70002726	4-39	7001928	1-19, 2-17	7005842	2-23
4933221	7-5, 7-30, 7-31	70002727	4-40	7001931	2-17	7005845	2-23
4933222	7-4, 7-30, 7-31	70002728	4-40	7001937	1-19	7005848	2-24
4933263	7-4	70002729	4-40	7001940	1-20	7005881	2-23, 2-24
70000123	2-33, 2-53, 2-85	7000273	1-19	7001985	2-17	7005882	2-23, 2-24
70000124	2-33, 2-54, 2-86	70002730	4-29	7001987	2-17		
70000125	2-33, 2-54, 2-86	70002731	4-29	7001988	2-17		
70000126	2-33, 2-54, 2-86	70002732	4-29	7002821	7-17, 7-25, 7-34, 10-4		
70000127	2-33	70002733	4-30				

SECTION 11 PARTS NUMBER INDEX

Part Number	Page	Part Number	Page	Part Number	Page	Part Number	Page
7005889	2-23	7007492	2-95	7012513	2-33, 2-53, 2-85	7012961	2-4, 5-13
7005890	2-23	7007494	2-95	7012514	2-33, 2-53, 2-85	7012965	2-11
7005891	2-23	7007496	2-95	7012518	2-7	7012967	2-7
7005892	2-23	7007497	2-95, 7-15, 7-23, 7-32	7012540	2-5	7012971	2-5
7005893	2-23			7012558	2-33, 2-53, 2-85	7012972	2-3
7005894	2-23	7007498	2-95, 7-15, 7-23, 7-32	7012560	2-108	7012974	2-3
7005895	2-24			7012595	2-77	7012975	2-5
7006138	3-27, 9-1	7007499	2-95	7012598	2-40, 2-47	7012976	2-5
7007208	2-94, 2-95	7007633	2-17	7012599	2-40, 2-48	7012977	2-5
7007412	2-96	7007644	1-19	7012611	2-107, 4-11	7012978	1-31
7007413	2-94	7007649	1-20	7012612	2-107, 4-11	7012980	1-31
7007414	2-94	7007694	1-19	7012656	2-62	7012987	2-99
7007416	2-94	7007914	2-19	7012664	2-27, 2-37, 2-43, 2-59, 2-67, 2-75, 2-89, 9-1	7012988	2-99
7007417	2-94	7007923	1-25, 2-20			7012989	2-7
7007419	2-94	7007924	1-26	7012679	2-61, 2-69	7012993	1-31
7007420	2-94	7007933	1-26, 2-20	7012680	2-61	7012994	1-31
7007421	2-94	7007934	2-20	7012681	2-61	7012998	2-4, 2-7, 2-8, 2-11
7007423	2-94	7007970	1-25, 2-19	7012682	2-61, 7-15	7013187	2-105
7007424	2-94	7007977	1-25, 2-19	7012683	2-61	7013711	2-3
7007425	2-94	7007979	1-25, 2-19	7012688	2-61	7013755	2-3
7007435	2-94	7007980	1-25, 2-19	7012690	2-61	7013796	2-3
7007436	2-94	7007983	1-25, 2-19	7012693	1-3, 1-7	7013799	2-3
7007437	2-94	7007985	1-25, 2-19	7012698	2-40	7014501	2-61, 2-69, 2-77
7007438	2-94	7007986	1-25	7012700	1-29	7014700	1-23
7007439	2-94	7007987	1-25, 2-19	7012701	1-29	7014701	1-23
7007440	2-94	7007990	2-20	7012702	1-29	7014703	1-23
7007441	2-94	7008833	2-37, 2-44, 7-14	7012703	1-29	7014704	1-23
7007442	2-94	7008835	2-37, 2-44	7012704	1-29	7014705	1-23
7007444	2-94	7008836	2-37, 2-44, 7-14	7012705	1-29	7014707	1-23
7007445	2-94	7010103	2-99	7012706	1-29	7014708	1-23
7007449	2-94	7010104	2-99	7012707	1-29	7014709	1-23
7007453	2-95	7010105	2-99	7012708	1-29	7014710	1-23
7007454	2-95	7010120	2-96	7012709	1-29	7014711	1-23
7007456	2-95	7010121	2-95	7012710	1-29	7014712	1-23
7007458	2-95	7010122	2-95	7012711	1-29	7014717	1-23
7007461	2-95	7010465	1-19	7012712	1-29	7014718	1-23
7007463	2-95	7010474	2-17	7012713	1-29	7014719	1-23
7007466	2-95	7010488	2-17	7012714	1-29	7014720	1-23
7007468	2-95	7010492	2-17	7012715	1-29	7014721	1-23
7007469	2-95	7010494	2-17	7012716	1-29	7014722	1-23
7007470	2-95	7010541	2-7	7012766	2-7	7014723	1-23
7007471	2-95	7010542	2-8	7012768	2-7	7014724	1-23
7007472	2-95	7010543	2-8	7012769	2-7	7014725	1-23
7007473	2-95	7010545	5-9	7012770	2-7, 2-11	7014726	1-23
7007474	2-95	7010638	2-43, 2-67	7012772	2-4, 2-7, 2-8, 2-11, 9-1	7014729	1-23
7007475	2-96	7010699	2-33, 2-54, 2-86			7014730	1-23
7007476	2-96	7011112	5-5, 5-7	7012773	2-4, 2-7, 2-8, 2-11	7014731	1-23
7007477	2-96	7011328	2-3	7012774	2-3, 2-8, 2-11	7014732	1-23
7007478	2-95	7011331	3-18	7012775	2-8	7014733	1-23
7007482	2-95	7011332	3-18	7012776	2-11	7014734	1-23
7007483	2-95	7011346	3-18	7012777	2-11	7014735	1-23
7007484	2-95	7011712	1-25	7012907	2-3	7014736	1-23
7007485	2-95	7011713	1-25, 2-19	7012912	2-7, 2-8	7014737	1-23
7007486	2-95	7011714	1-25, 2-19	7012914	2-7	7014801	2-102
7007487	2-95	7011715	1-25, 2-19	7012918	2-5, 2-7	7014802	2-102
7007488	2-95	7011716	1-25, 2-19	7012941	2-3	7014803	2-102
7007489	2-99	7011717	1-25, 2-19	7012944	2-3, 2-7, 9-1	7014810	2-102
7007490	2-95	7011719	2-19	7012953	2-4, 2-7, 2-11, 5-13	7014811	2-102, 9-1
7007491	2-95	7011720	2-19	7012954	2-4	7014813	2-102

SECTION 11 PARTS NUMBER INDEX

Part Number	Page	Part Number	Page	Part Number	Page	Part Number	Page
7014816	2-102	7016807	2-60, 2-67, 2-68, 2-75	7018947	2-11	7019927	2-66, 2-74
7016180	2-74, 2-89			7018948	2-11	7019929	2-62
7016309	2-40	7016808	2-60, 2-67, 2-68, 2-75	7019103	4-37, 4-39	7019930	2-62, 2-70, 2-77
7016312	2-3, 9-1			7019104	4-24	7019931	2-62, 2-70
7016313	2-4, 9-1	7016809	2-29	7019110	4-37, 4-39	7019932	2-62, 2-70, 2-77
7016314	2-101, 2-102	7016810	2-29	7019111	4-24, 4-27, 4-29, 4-37, 4-39	7019933	2-61, 2-69
7016315	2-107, 4-11	7016811	2-29, 2-90	7019112	4-37, 4-39	7019961	2-69
7016322	2-121	7016812	2-38, 2-45	7019114	4-39	7019974	2-69
7016324	2-30, 9-1	7016815	2-45	7019115	4-37, 4-39	7019975	2-69
7016325	2-30	7016816	2-45, 2-68	7019117	4-37	7019976	2-62, 2-69, 2-77
7016326	2-30	7016826	2-45, 2-68	7019122	4-24, 4-29	7019977	2-69, 2-76
7016327	2-30	7016827	2-45, 2-68	7019123	4-24, 4-29	7019978	2-70
7016328	2-40, 2-47, 2-48, 9-1	7016831	2-90	7019137	4-27	7019979	2-70, 2-77
7016329	2-30, 2-40, 2-47	7016845	2-45	7019141	4-27, 4-29	7019980	2-69
7016330	2-40, 2-47	7017070	2-17	7019142	4-27, 4-29	7019982	2-70
7016331	2-40, 2-47, 2-48, 9-1	7017089	2-17	7019143	4-27, 4-29	7019983	2-69
7016332	2-40, 2-47, 2-48	7017101	3-17	7019144	4-27, 4-29	7019985	2-70
7016336	7-14	7017102	3-17	7019145	4-27, 4-29	7019986	2-76
7016340	2-30, 9-1	7017115	3-17	7019147	4-27, 4-29	7019988	2-69
7016342	2-105	7017116	3-17	7019149	4-27, 4-29	7019993	2-77
7016346	4-12	7017117	3-17	7019150	4-27, 4-29	7019994	2-77
7016359	2-48	7017119	3-17	7019151	4-37, 4-39	7019996	2-77
7016374	2-121	7017142	3-17, 3-18	7019153	4-37	7019997	2-69
7016375	2-67	7017156	3-18	7019154	4-37, 4-39	7020022	2-48
7016376	2-74	7017157	3-18	7019155	4-37, 4-39	7020023	2-40, 2-47
7016380	2-118	7017158	3-18, 3-21	7019156	4-37	7020025	2-47, 2-48
7016399	4-4, 4-8	7017159	3-18, 3-21	7019157	4-37	7020027	2-48, 2-49
7016422	2-23	7017162	3-17, 3-21	7019158	4-37	7020073	2-30
7016423	2-23	7017163	3-17, 3-21	7019159	4-37	7020108	2-33, 2-53, 2-85
7016424	2-24	7017164	3-17, 3-21	7019160	4-37, 4-39	7020109	2-33, 2-53, 2-85
7016425	2-23	7017174	3-17	7019161	4-37, 4-39	7020110	2-33, 2-53, 2-85
7016426	2-23	7017177	3-17	7019162	4-37, 4-39	7020111	2-33, 2-53, 2-85
7016427	2-24	7017183	3-17, 3-21	7019163	4-37	7020120	2-62, 2-69, 2-77
7016530	3-27, 9-1	7017193	3-18, 3-21	7019164	4-37, 4-40	7020168	2-49
7016600	2-61, 2-69	7017195	3-21	7019165	4-37, 4-40	7020175	2-107, 4-11, 4-17
7016601	2-61, 2-69, 9-1	7017410	2-7	7019166	4-37, 4-40	7020176	2-108, 4-11, 4-17
7016605	2-61, 2-69	7017411	2-7	7019167	4-37, 4-40	7020190	2-33, 2-53, 2-85
7016638	2-62	7017418	2-7	7019168	4-37, 4-39	7020191	2-33, 2-54, 2-86
7016639	2-47	7017420	2-4, 2-8, 2-11	7019171	4-27, 4-29	7020192	2-33, 2-54, 2-86
7016640	2-48	7017421	2-11	7019174	4-27, 4-29	7020193	2-33, 2-53, 2-85
7016641	2-47	7017422	2-11	7019177	4-29	7020246	2-113
7016652	10-4	7017423	2-8	7019192	4-24	7020404	2-40, 2-48
7016654	10-4	7017427	2-7	7019193	4-23	7020408	2-40, 2-49
7016655	10-4	7017428	2-7, 2-8	7019194	4-37, 4-40	7020410	2-47, 2-48
7016662	2-62, 2-69, 2-77	7017442	1-31	7019196	4-40	7020411	2-40, 2-48, 2-49
7016700	2-3	7017464	2-7	7019197	4-27, 4-29	7020414	2-48
7016701	2-3	7017515	2-81	7019300	3-23	7020418	2-40, 2-49
7016702	2-3	7018602	1-25, 2-19	7019301	3-23	7020419	2-40, 2-48
7016744	2-3	7018603	1-25, 2-20	7019302	3-23	7020425	2-48
7016800	2-29, 2-38, 2-45, 2-60, 2-67, 2-75, 2-90	7018605	1-25, 2-19	7019303	3-23	7020427	2-40, 2-48
		7018606	1-25, 2-19	7019607	2-40, 2-48	7020428	2-40
7016802	2-38, 2-45, 2-90	7018607	1-25, 2-19	7019656	2-66, 2-74, 2-89	7020431	2-40, 2-48, 2-49
7016803	2-38, 2-45	7018608	1-26, 2-19, 2-20			7020436	2-47
7016804	2-38, 2-45, 2-60, 2-67, 2-75, 2-90	7018609	1-25, 2-19	7019921	2-62	7020449	2-49
7016805	2-29, 2-38, 2-60	7018612	1-26, 2-20	7019922	2-61	7020458	2-49
7016806	2-29	7018912	2-4, 2-7, 2-8, 2-11	7019923	2-62, 2-70	7020459	2-49
		7018942	2-11	7019924	2-62	7020460	2-49
		7018945	2-11	7019925	2-62, 2-77	7020461	2-48
		7018946	2-11	7019926	2-67, 2-75	7020462	2-49

SECTION 11 PARTS NUMBER INDEX

Part Number	Page	Part Number	Page	Part Number	Page	Part Number	Page
7020463	2-48, 2-49	7022180	2-62, 2-69, 2-77	7024389	2-23, 2-24		
7020464	2-48	7022203	2-3	7024390	2-24		
7020465	2-48, 2-49	7022808	4-27, 4-29	7024395	2-24		
7020468	2-49	7022810	4-37	7024397	5-21		
7020471	2-48, 2-49	7022812	4-39, 4-40	7024398	2-47		
7020474	2-49	7022813	4-27	7024413	2-40, 2-49		
7020477	2-40, 2-48	7022814	4-29	7024439	2-103		
7020479	2-48	7022815	4-29, 4-30	7024440	2-103		
7020480	2-49	7022816	4-29	7024441	2-103		
7020481	2-49	7022817	4-29	7024442	2-103		
7020487	2-49	7022818	4-29	7024443	2-103		
7020488	2-49	7022819	4-29, 4-30, 7-23, 7-33	7024444	2-103		
7021214	2-95			7024445	2-103		
7021310	2-9	7022820	7-33	7024446	2-103		
7021868	2-77	7022822	4-39	7024453	2-23		
7021869	2-61, 2-69, 9-1	7022823	4-39	7024560	2-47		
70219924	2-70	7022824	4-39	7024565	2-40, 2-49		
7022127	2-91	7022825	4-39, 4-40, 7-23, 7-33	7024579	2-49		
7022133	2-76			7024598	2-121		
7022134	2-76	7023340	2-37, 2-44	7025122	2-69		
7022135	2-76, 9-1	7023366	2-128	7025124	2-77		
7022136	2-76	7023471	2-61	7025125	2-70		
7022137	2-77	7023603	2-83	7025126	2-62, 2-70		
7022139	2-77	7023613	2-77	7025145	2-61		
7022140	2-77	7023634	2-91, 9-1	7026199	2-33, 2-53, 2-85		
7022141	2-77	7023635	2-91	7026522	2-48, 2-49		
7022142	2-77	7023637	2-77	7026607	2-49		
7022143	2-62, 2-70, 2-77	7023638	2-91	7026608	2-48		
7022144	2-77	7023639	2-91	7026631	2-49		
7022145	2-77	7023640	2-91	7027250	2-37, 2-40, 2-44, 2-48		
7022146	2-77	7023641	2-91, 9-1				
7022147	2-77	7023642	2-91	7027276	2-49		
7022148	2-77	7023644	2-77	7027292	2-69		
7022149	2-77	7023645	2-83	7027402	2-70, 2-77		
7022150	2-62, 2-70, 2-78	7023652	2-76	7027411	2-78		
7022151	2-70, 2-77	7023653	2-76	7027887	2-33, 2-54, 2-86		
7022153	2-62, 2-70, 2-78	7023654	2-76	83304150	2-24		
7022154	2-78	7023655	2-76	8896941	10-4		
7022155	2-78	7023656	2-76	91083218	2-76		
7022156	2-70, 2-78	7023657	2-77				
7022157	2-70, 2-77	7023658	2-77				
7022158	2-77	7023661	2-77				
7022159	2-77	7023662	2-77				
7022160	2-77	7023663	2-77				
7022161	2-77	7023664	2-74				
7022162	2-77	7023677	2-30				
7022163	2-77	7023679	2-83, 7-14, 7-24, 7-33				
7022164	2-78						
7022165	2-83	7023680	2-83				
7022166	2-83	7023686	2-74				
7022167	2-83	7023687	2-69				
7022168	2-83	7024014	2-4, 2-8				
7022169	2-83	7024015	2-8				
7022170	2-83	7024100	2-17				
7022171	2-83	7024318	2-49				
7022173	2-77	7024321	2-61, 2-69				
7022177	2-91	7024379	2-24				
7022178	2-62, 2-70, 2-77	7024380	2-24				
7022179	2-77	7024381	2-24				

SECTION 11 PARTS NUMBER INDEX

Part Number	Page	Part Number	Page	Part Number	Page	Part Number	Page
-------------	------	-------------	------	-------------	------	-------------	------



3120720



An Oshkosh Corporation Company

Corporate Office
JLG Industries, Inc.
1 JLG Drive
McConnellsburg PA. 17233-9533
USA

☎ (717) 485-5161

📠 (717) 485-6417

JLG Worldwide Locations

JLG Industries (Australia)
P.O. Box 5119
11 Bolwarra Road
Port Macquarie
N.S.W. 2444
Australia

☎ +61 2 65 811111

📠 +61 2 65 813058

JLG Latino Americana Ltda.
Rua Eng. Carlos Stevenson,
80-Suite 71
13092-310 Campinas-SP
Brazil

☎ +55 19 3295 0407

📠 +55 19 3295 1025

JLG Industries (UK) Ltd
Bentley House
Bentley Avenue
Middleton
Greater Manchester
M24 2GP - England

☎ +44 (0)161 654 1000

📠 +44 (0)161 654 1001

JLG France SAS
Z.I. de Baulieu
47400 Fauillet
France

☎ +33 (0)5 53 88 31 70

📠 +33 (0)5 53 88 31 79

JLG Deutschland GmbH
Max-Planck-Str. 21
D - 27721 Ritterhude - Ihlpohl
Germany

☎ +49 (0)421 69 350 20

📠 +49 (0)421 69 350 45

JLG Equipment Services Ltd.
Rm 1107 Landmark North
39 Lung Sum Avenue
Sheung Shui N. T.
Hong Kong

☎ (852) 2639 5783

📠 (852) 2639 5797

JLG Industries (Italia) s.r.l.
Via Po. 22
20010 Pregnana Milanese - MI
Italy

☎ +39 029 359 5210

📠 +39 029 359 5845

Oshkosh-JLG Singapore
Technology Equipment Pte
Ltd
29 Tuas Ave 4,
Jurong Industrial Estate
Singapore, 639379

☎ +65-6591 9030

📠 +65-6591 9031

Plataformas Elevadoras
JLG Iberica, S.L.
Trapadella, 2
P.I. Castellbisbal Sur
08755 Castellbisbal, Barcelona
Spain

☎ +34 93 772 4700

📠 +34 93 771 1762

JLG Sverige AB
Enkopingsvagen 150
Box 704
SE - 176 27 Jarfalla
Sweden

☎ +46 (0)850 659 500

📠 +46 (0)850 659 534